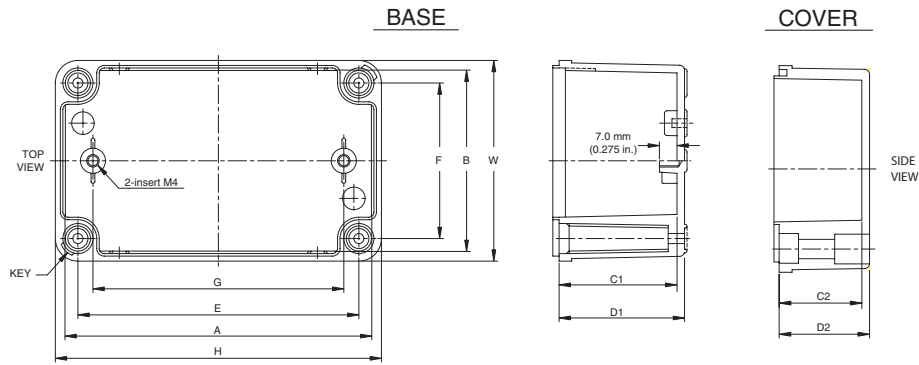


Definite-Purpose Style Enclosures

Approximate Dimensions, Continued

Approximate dimensions are shown in millimeters (inches). Dimensions are not to be used for manufacturing purposes.

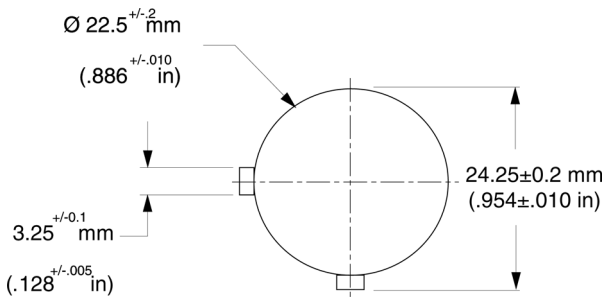
Push Button Enclosure



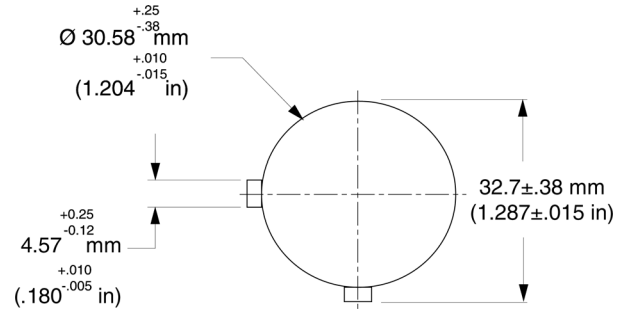
	Overall Dimension			Inside Dimension				Enclosure Mounting Dimension			
22.5 mm Push Button Enclosures											
Cat. No.	H	W	D1	D2	A	B	C1	C2	E	F	G
598-1PB22	110 (4.33)	80 (3.15)	50 (1.97)	35 (1.38)	104 (4.09)	74 (2.91)	46.5 (1.83)	31.5 (1.24)	92 (3.62)	62 (2.44)	80 (3.15)
598-2PB22	130 (5.12)	80 (3.15)	50 (1.97)	35 (1.38)	120 (4.72)	70 (2.76)	46.5 (1.83)	31.5 (1.24)	112 (4.41)	62 (2.44)	100 (3.94)
598-3PB22	180 (7.09)	80 (3.15)	50 (1.97)	35 (1.38)	170 (6.69)	70 (2.76)	46.5 (1.83)	31.5 (1.24)	162 (6.38)	62 (2.44)	150 (5.91)
598-4PB22	250 (9.84)	80 (3.15)	50 (1.97)	35 (1.38)	240 (9.45)	70 (2.76)	46.5 (1.83)	31.5 (1.24)	232 (9.13)	62 (2.44)	220 (8.66)
30.5 mm Push Button Enclosures											
Cat. No.	H	W	D1	D2	A	B	C1	C2	E	F	G
800H-1HZ4	110 (4.33)	80 (3.15)	50 (1.97)	20 (0.79)	104 (4.09)	74 (2.91)	46.5 (1.83)	16.5 (0.65)	92 (3.62)	62 (2.44)	80 (3.15)
800H-2HZ4	130 (5.12)	80 (3.15)	50 (1.97)	35 (1.38)	120 (4.72)	70 (2.76)	46.5 (1.83)	31.5 (1.24)	112 (4.41)	62 (2.44)	100 (3.94)
800H-3HZ4	180 (7.09)	80 (3.15)	50 (1.97)	35 (1.38)	170 (6.69)	70 (2.76)	46.5 (1.83)	31.5 (1.24)	162 (6.38)	62 (2.44)	150 (5.91)
800H-4HZ4	250 (9.84)	80 (3.15)	50 (1.97)	35 (1.38)	240 (9.45)	70 (2.76)	46.5 (1.83)	31.5 (1.24)	232 (9.13)	62 (2.44)	220 (8.66)

Approximate dimensions are shown in millimeters (inches). Dimensions are not to be used for manufacturing purposes.

Push Button Hole

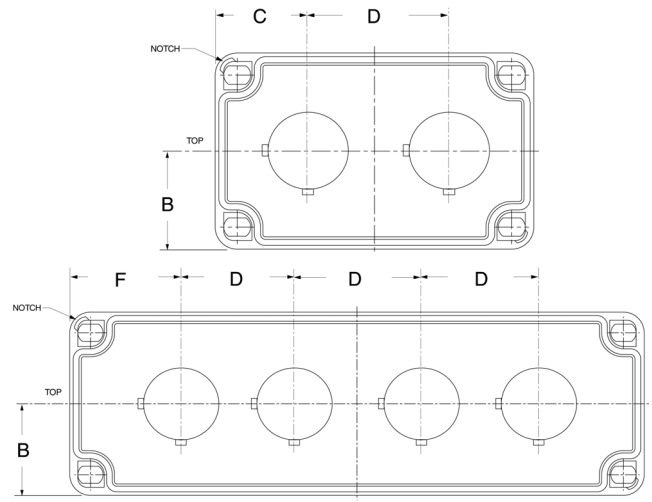
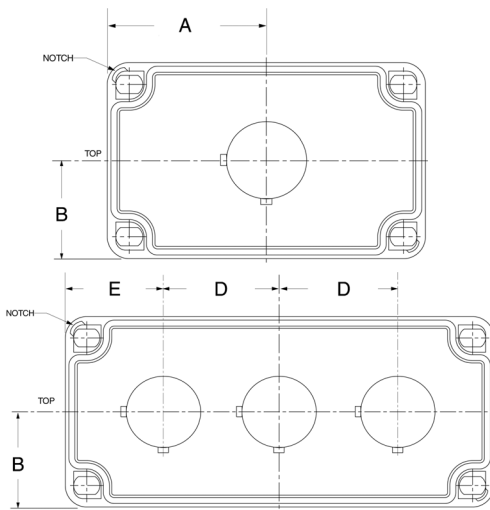


22.5 mm Push Button Hole



30.5 mm Push Button Hole

Push Button Hole Spacing



22.5 mm Push Button Enclosures							
Type	Cat. No.	A	B	C	D	E	F
1-Hole	598-1PB22__	55±0.216 (2.165±0.0085)	40±0.5 (1.57±0.020)	—	50.0±0.191 (1.968±0.0075)	—	—
2-Hole	598-2PB22__	—		40±0.175 (1.57±0.0069)		—	—
3-Hole	598-3PB22__	—		—		40 +0.32/-0.18 (1.57 +0.0126/ -0.0071)	—
4-Hole	598-4PB22__	—		—		—	50±0.216 (1.968±0.0085)
30.5 mm Push Button Enclosures							
1-Hole	800H-1HZ4__	55±0.216 (2.165±0.0085)	40±0.5 (1.57±0.020)	—	46.8±0.191 (1.843±0.0075)	—	—
2-Hole	800H-2HZ4__	—		41.6±0.175 (1.64±0.0069)		—	—
3-Hole	800H-3HZ4__	—		—		43.2 +0.32/-0.18 (1.7 +0.0126/ -0.0071)	—
4-Hole	800H-4HZ4__	—		—		—	54.8±0.216 (2.16±0.0085)