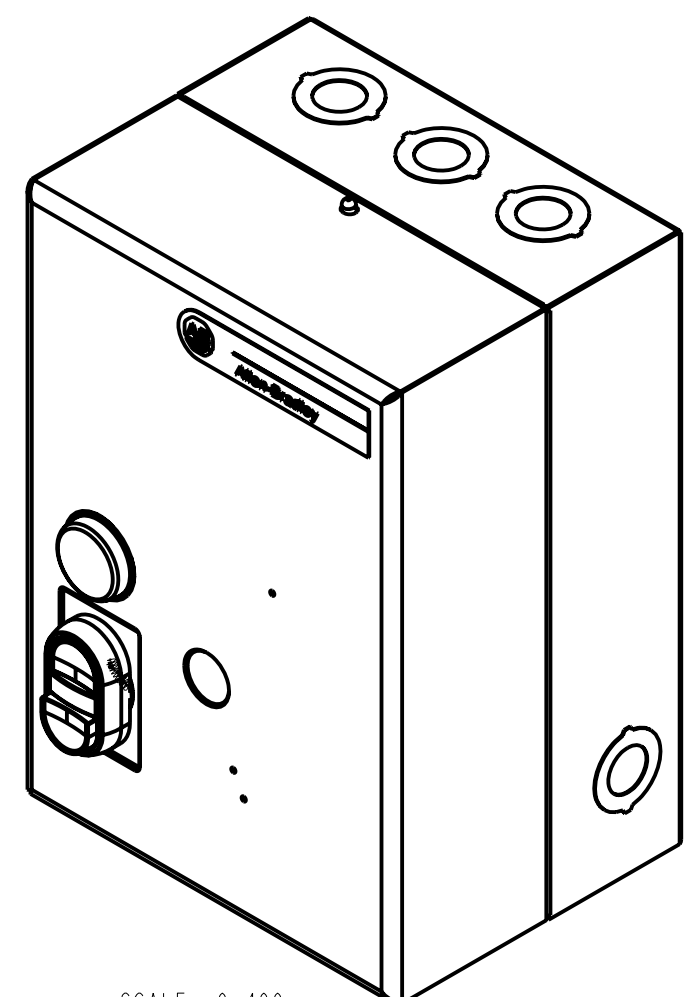
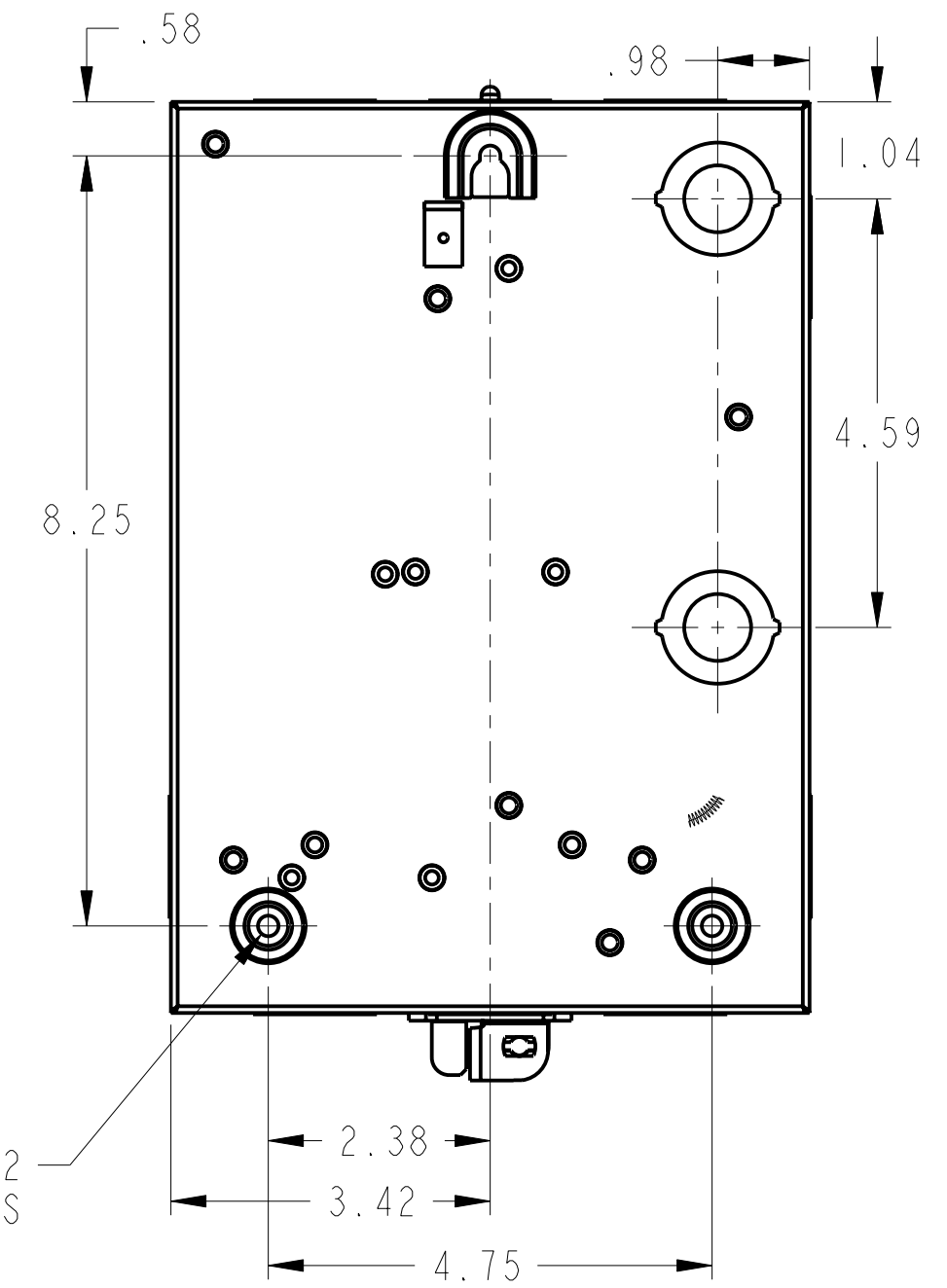
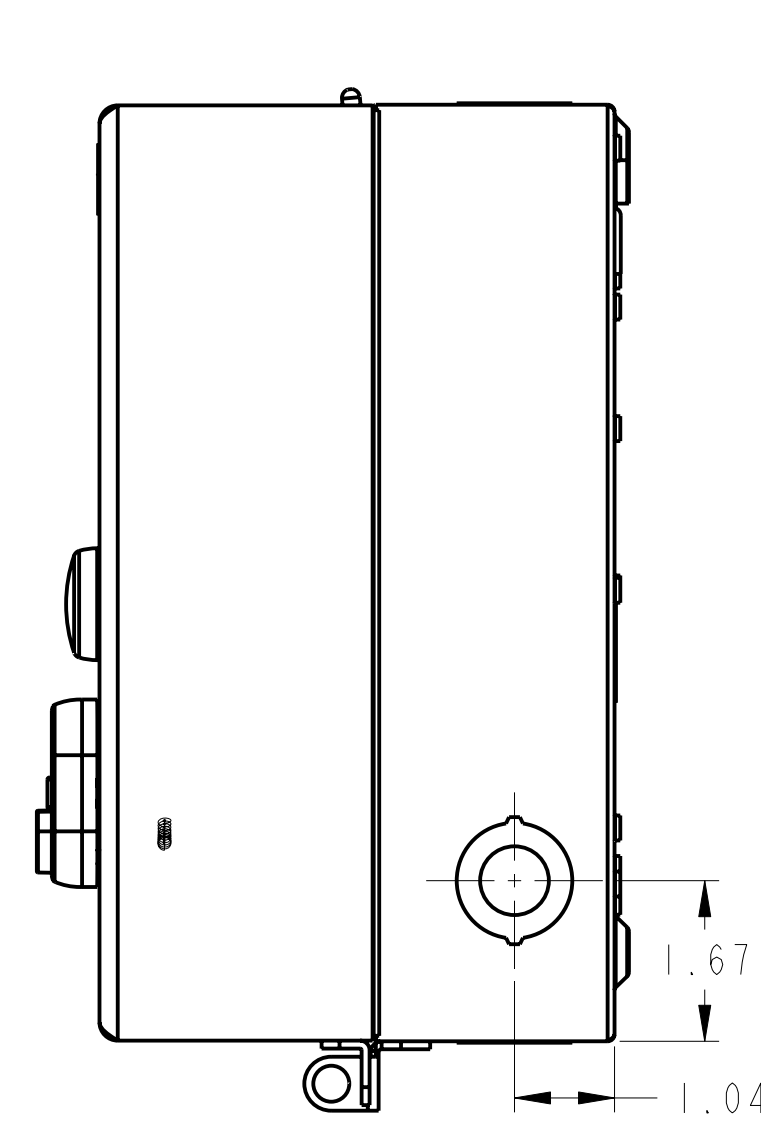
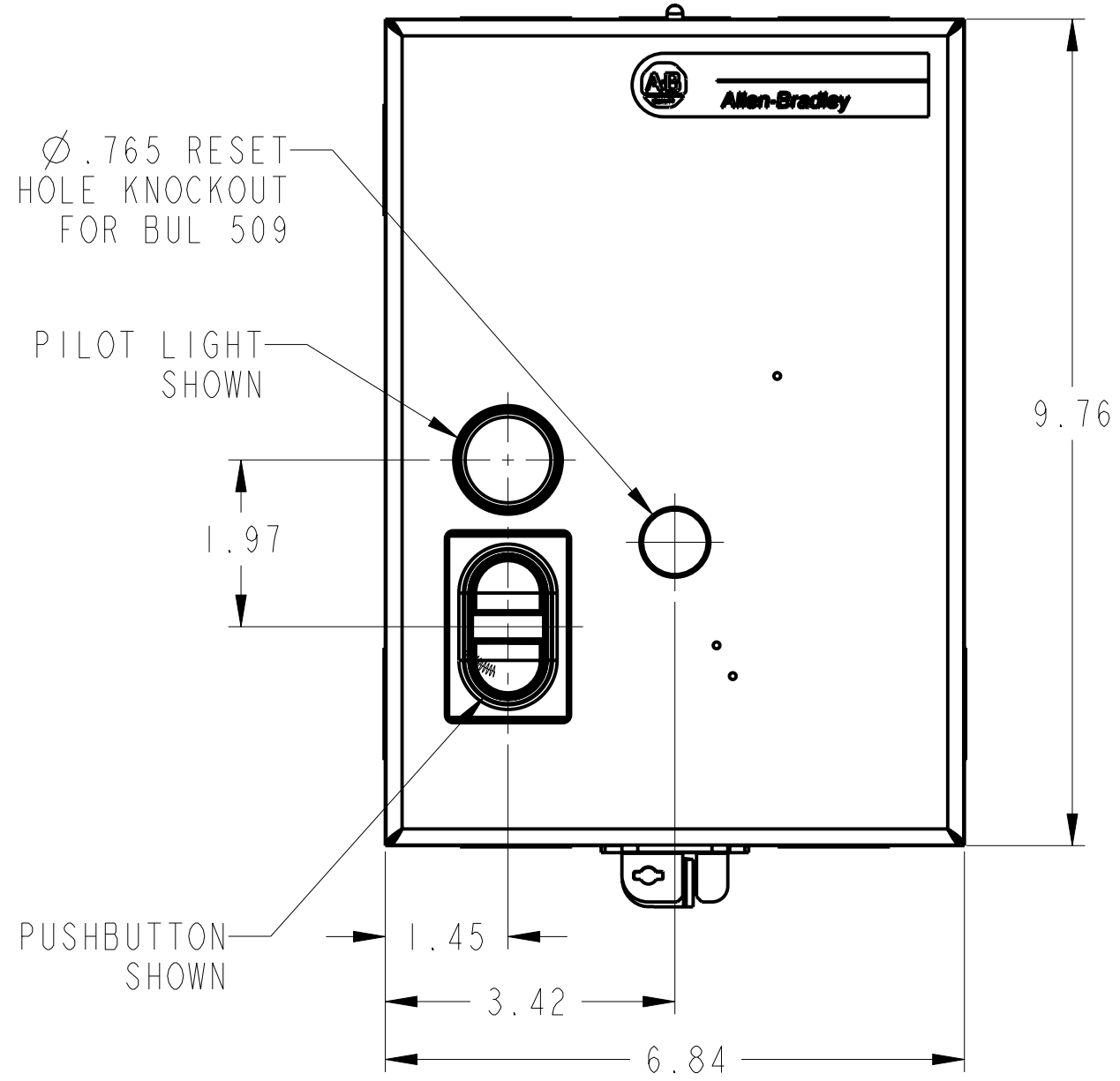
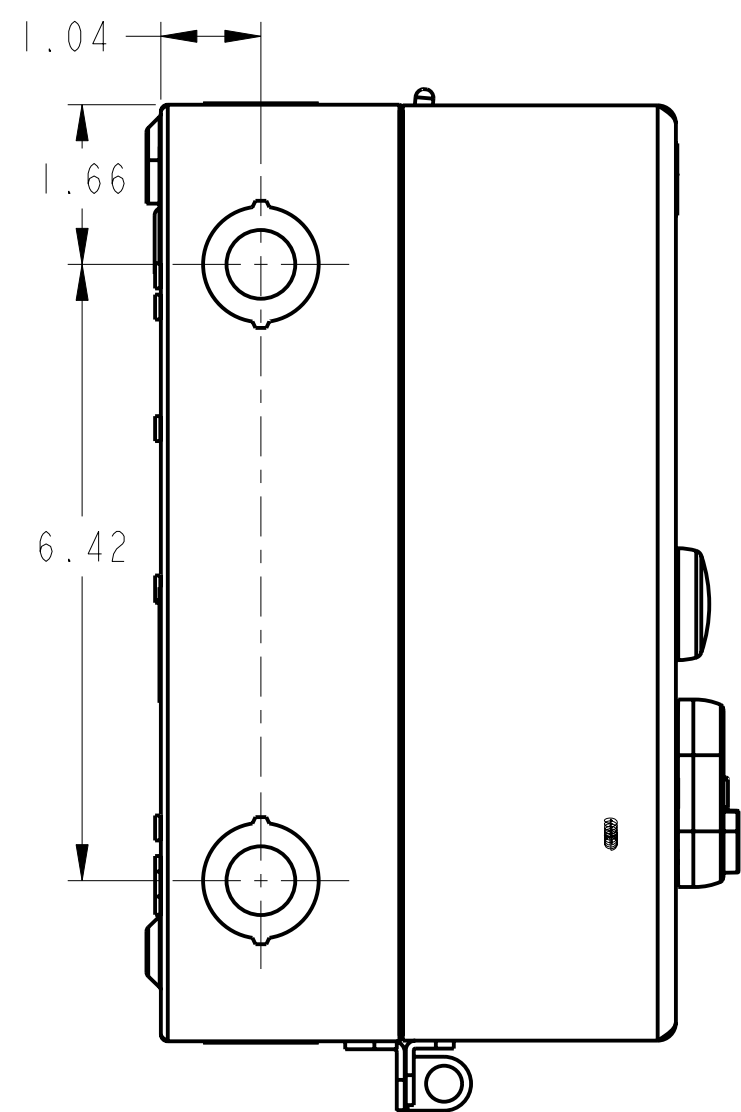
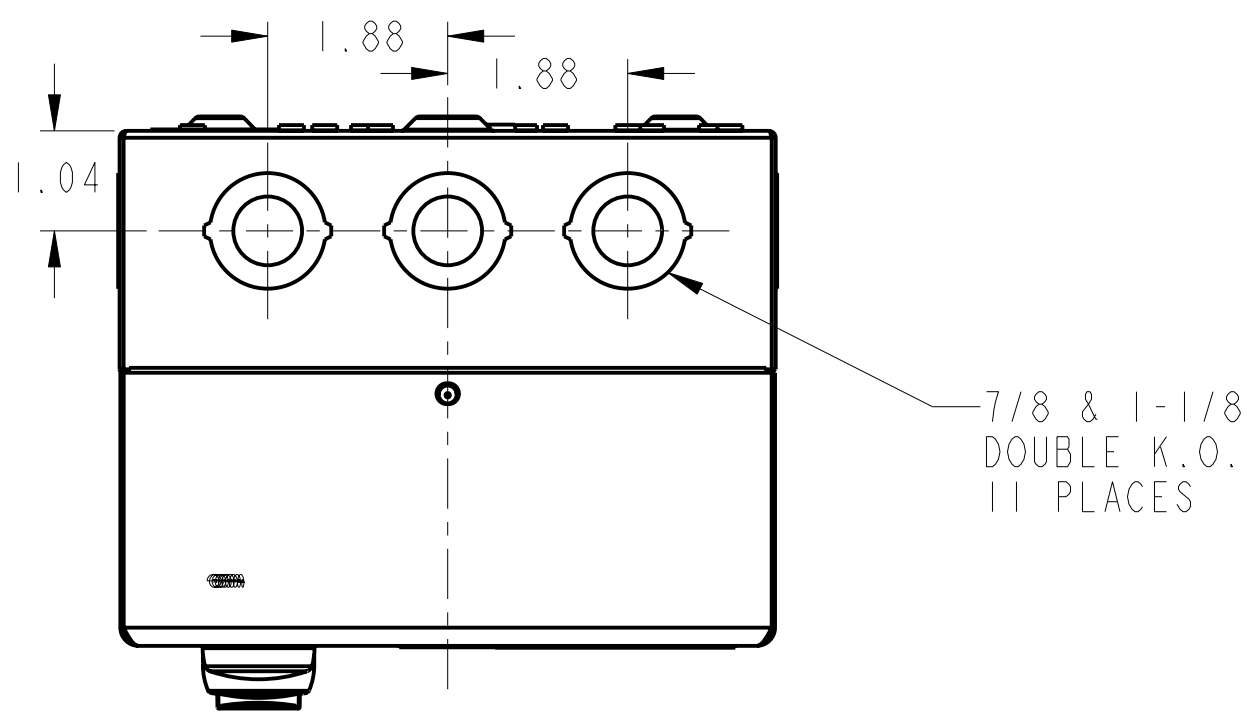
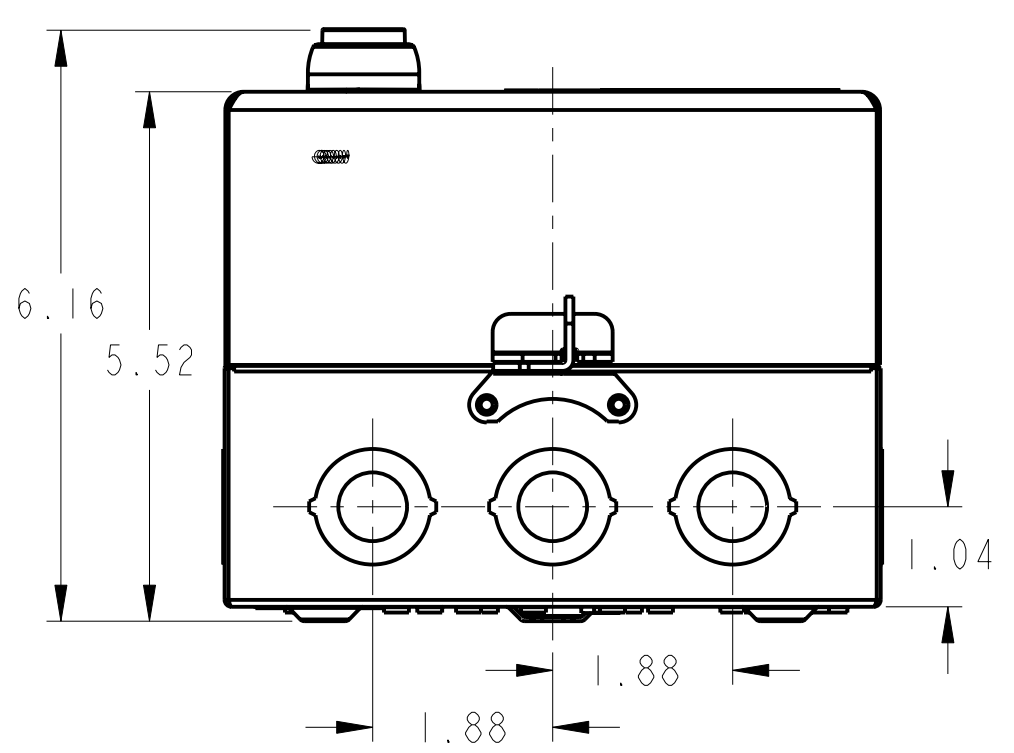


1 2 3 4 5 6 7 8

A
B
C
D
E
F
G
H



SCALE 0.400



NOTES:
1. ALL DIM'S ARE APPROXIMATE AND NOT INTENDED FOR MANUFACTURING PURPOSES.

Rockwell Automation		CONFIDENTIAL AND PROPRIETARY INFORMATION. THIS DOCUMENT CONTAINS CONFIDENTIAL AND PROPRIETARY INFORMATION OF ROCKWELL AUTOMATION, INC. AND MAY NOT BE USED, COPIED OR DISCLOSED TO OTHERS EXCEPT WITH THE AUTHORIZED WRITTEN PERMISSION OF ROCKWELL AUTOMATION, INC.	
DIMENSION DRAWING LIFTOFF ENCLOSURES SIZE 0-1		Sheet 1 Of 1	
Drawn by:	Date:	Size	Ver