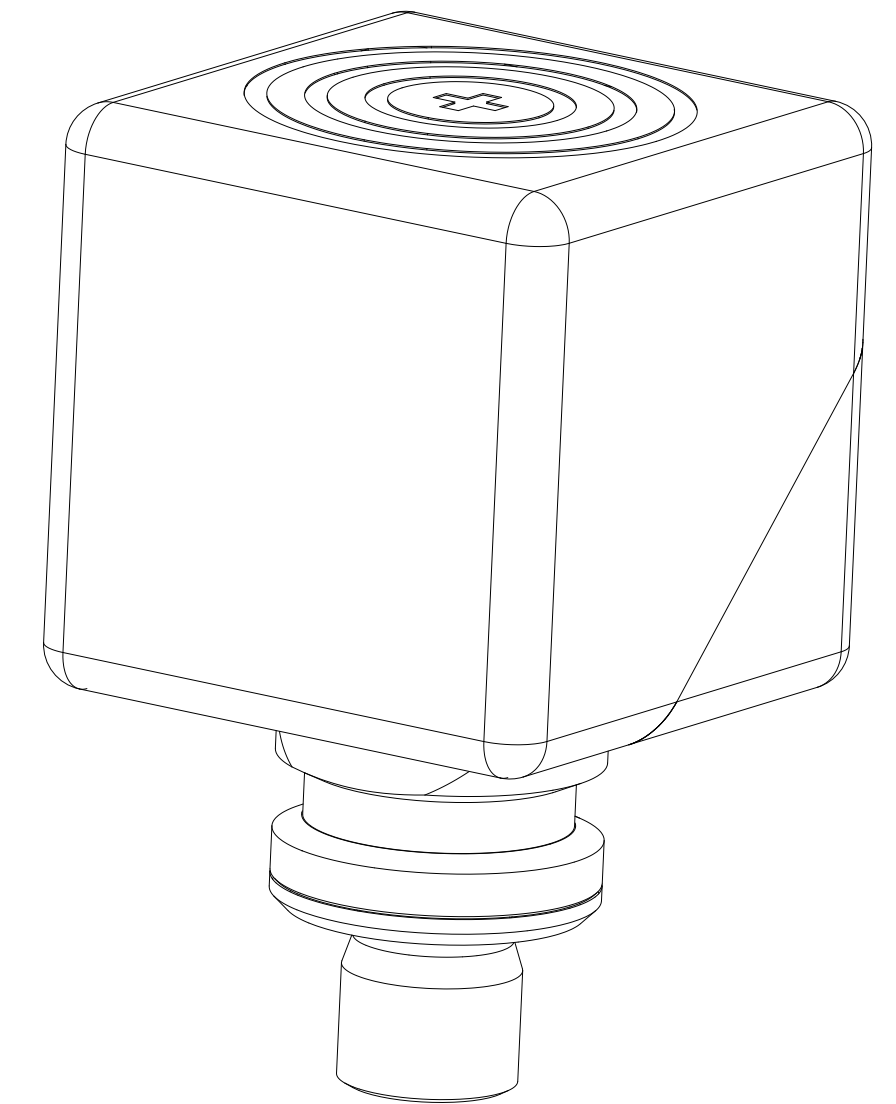
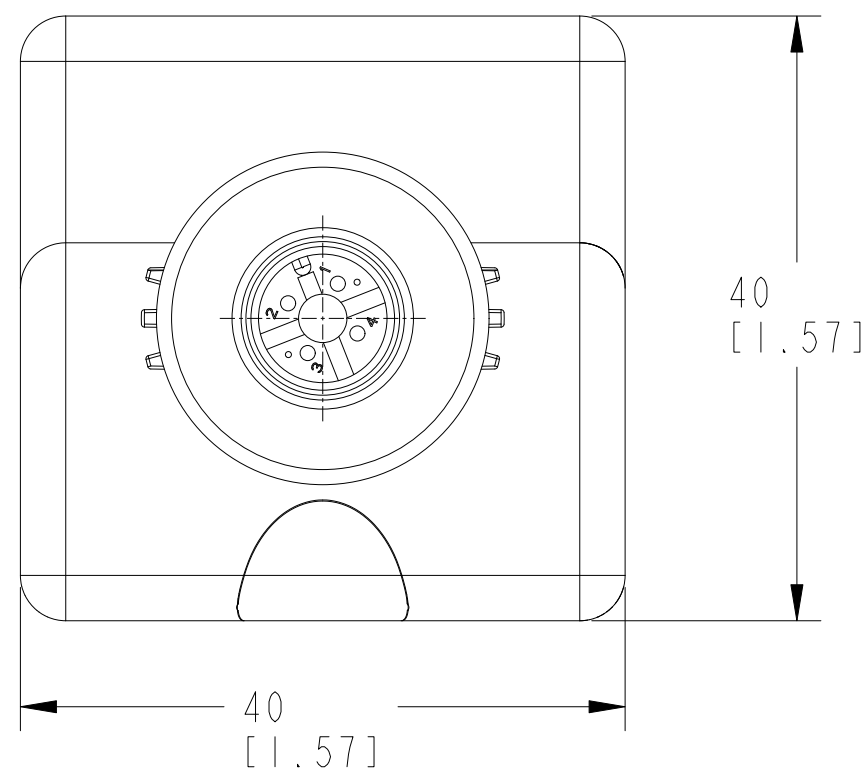
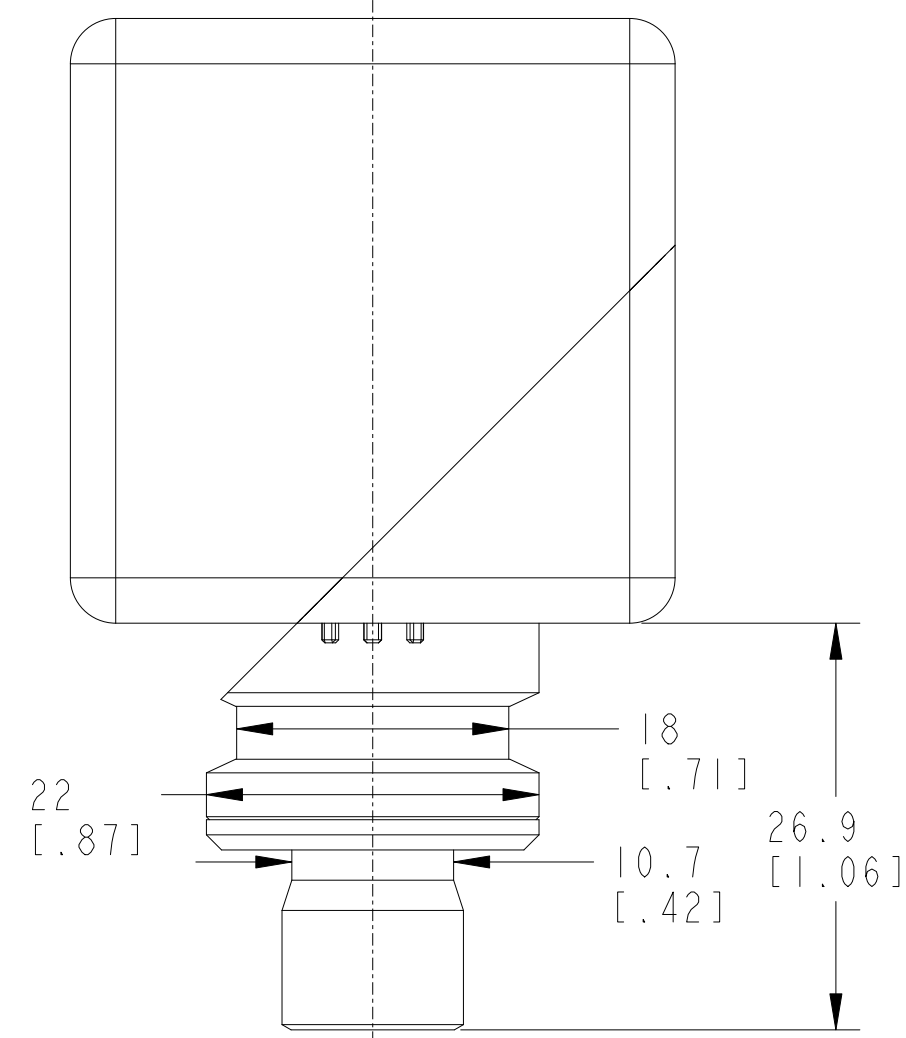
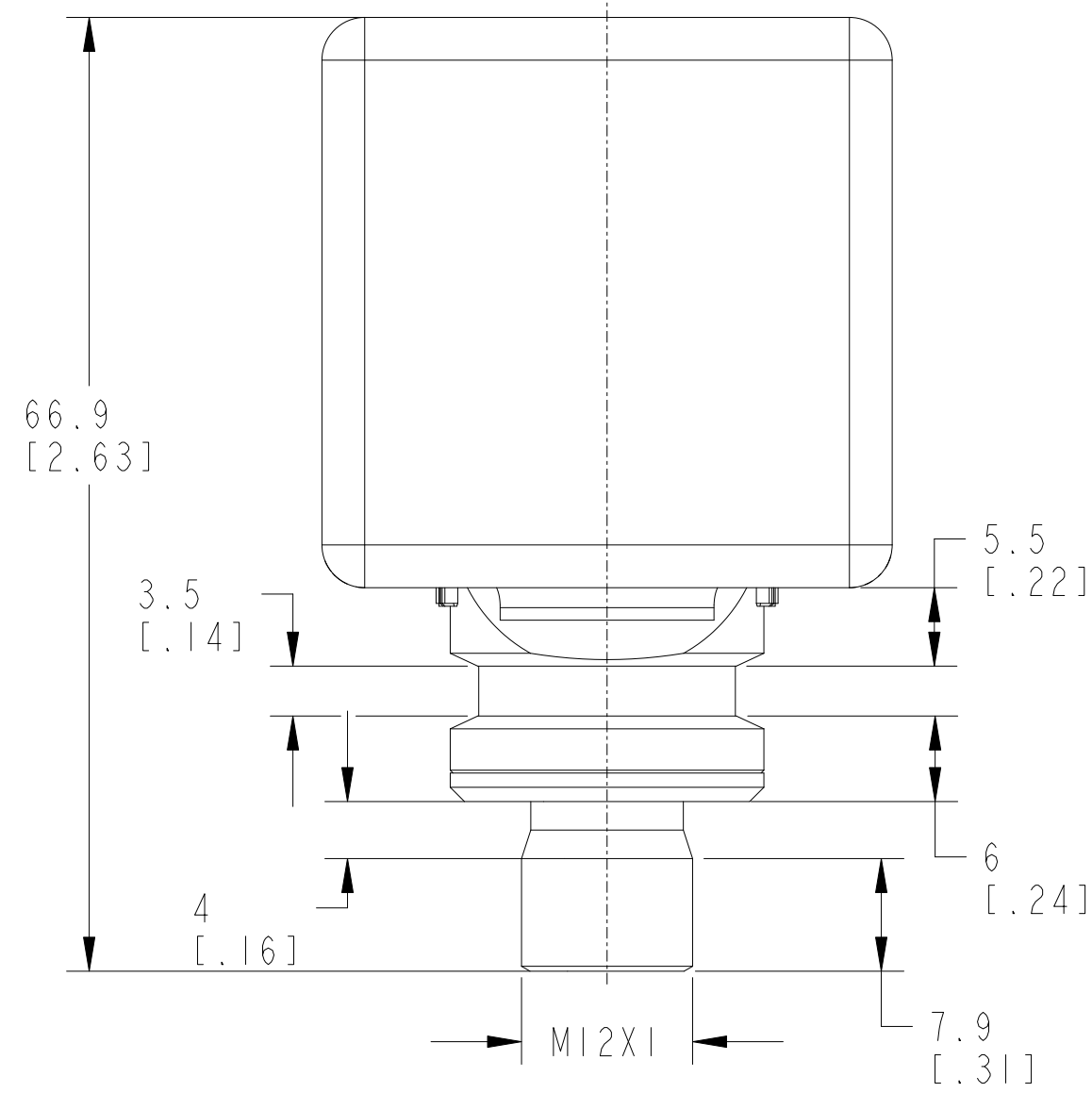


**CRITICAL TO QUALITY CLASSIFICATION TABLE**

P=PERFORMANCE, F=FIT, A=ASSEMBLY  
 X=IDENTIFIES APPLICABLE CLASSIFICATION(S)  
 ◇=ENGINEERING AND/OR MANUFACTURING REQUIREMENT  
 ⊕=REGULATORY REQUIREMENT-CONFORMANCE IS MANDATORY

COMMENTS	DRAWING ZONE	P	F	A	R
ROHS	G-1				X



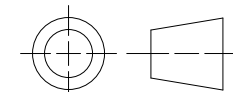
ISOMETRIC VIEW

MUST COMPLY WITH ROCKWELL  
 AUTOMATION ENVIRONMENTAL  
 SPECIFICATION 970-20-01

NOTES:  
 1. APPROXIMATE DIMENSIONS ARE SHOWN IN MILLIMETERS [INCHES].  
 DIMENSIONS ARE NOT INTENDED TO BE USED FOR MANUFACTURING PURPOSES.

ALL UNDIMENSIONED GEOMETRIES  
 ARE CONTROLLED BY THE CAD  
 MODEL. IN CASE OF DIMENSION  
 DISCREPANCY, CAD MODEL  
 OVERRIDES.

THIRD ANGLE PROJECTION



**59RF-TR-4040**  
 CUSTOMER DRAWING

CREATED BY: AKHAN24

CHANGED BY: -

CONFIDENTIAL AND PROPRIETARY INFORMATION.  
 THIS DOCUMENT CONTAINS CONFIDENTIAL AND PROPRIETARY  
 INFORMATION OF ROCKWELL AUTOMATION, INC. AND MAY  
 NOT BE USED, COPIED OR DISCLOSED TO OTHERS, EXCEPT  
 WITH THE AUTHORIZED WRITTEN PERMISSION OF ROCKWELL  
 AUTOMATION, INC.

DATE: 2024-01-19 SHEET 1 OF 1

SIZE	DIR	VER
<b>C</b>	<b>10007778667</b>	<b>00</b>