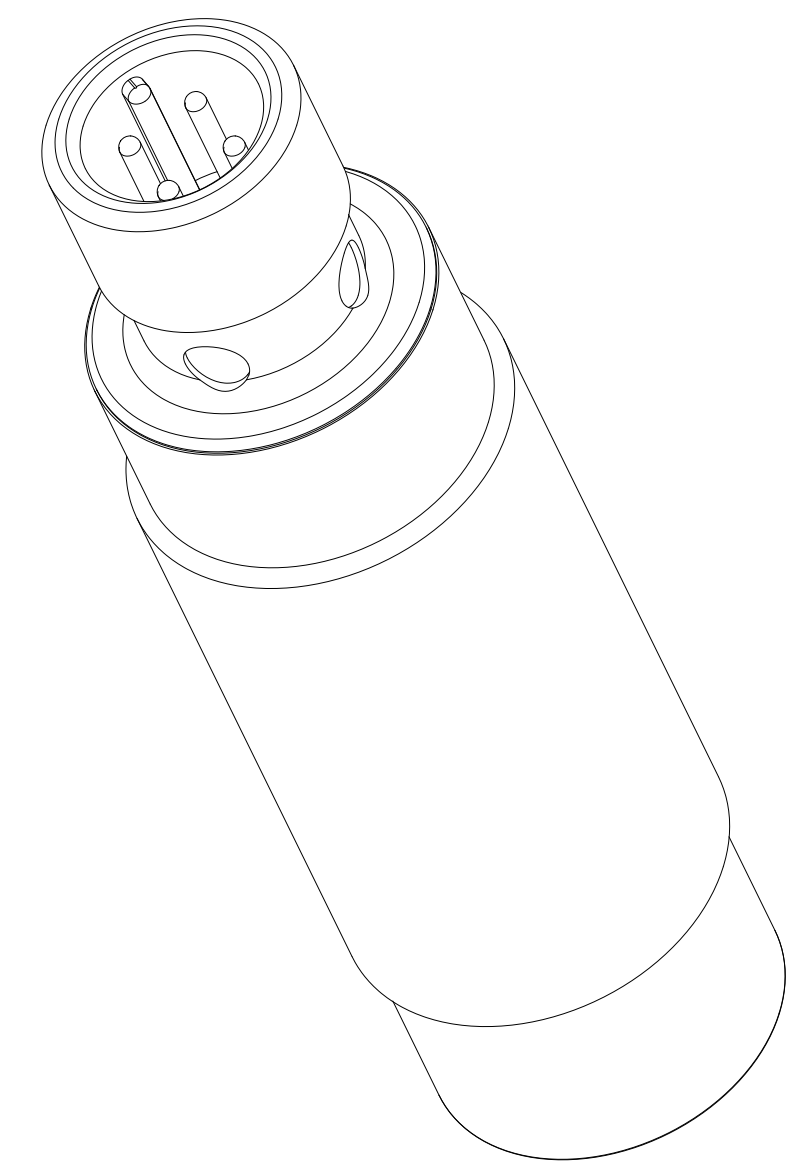
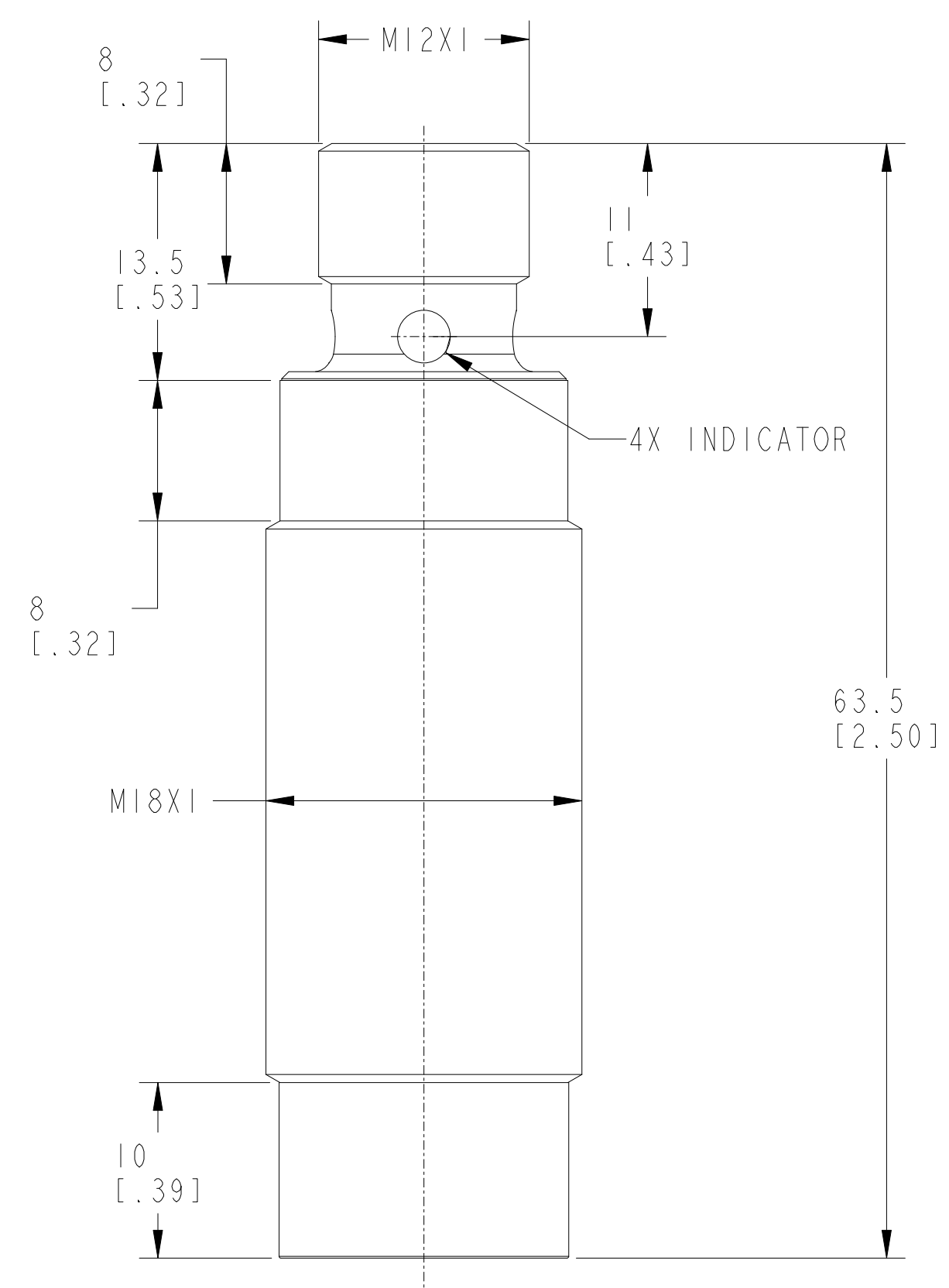
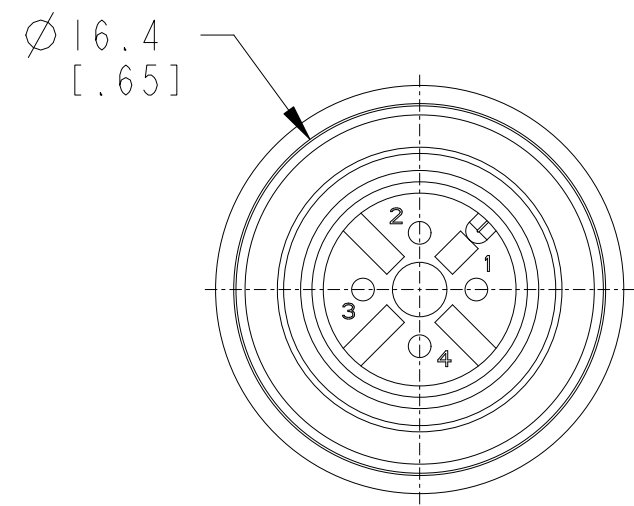


CRITICAL TO QUALITY CLASSIFICATION TABLE

P=PERFORMANCE, F=FIT, A=ASSEMBLY
 X=IDENTIFIES APPLICABLE CLASSIFICATION(S)
 ◇=ENGINEERING AND/OR MANUFACTURING REQUIREMENT
 ⊕=REGULATORY REQUIREMENT-CONFORMANCE IS MANDATORY

COMMENTS	DRAWING ZONE	P	F	A	R
ROHS	G-1				X



ISOMETRIC VIEW

MUST COMPLY WITH ROCKWELL
 AUTOMATION ENVIRONMENTAL
 SPECIFICATION 970-20-01

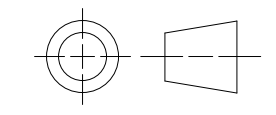
NOTES:
 1. APPROXIMATE DIMENSIONS ARE SHOWN IN MILLIMETERS [INCHES].
 DIMENSIONS ARE NOT INTENDED TO BE USED FOR MANUFACTURING PURPOSES.

ALL UNDIMENSIONED GEOMETRIES
 ARE CONTROLLED BY THE CAD
 MODEL. IN CASE OF DIMENSION
 DISCREPANCY, CAD MODEL
 OVERRIDES.



CONFIDENTIAL AND PROPRIETARY INFORMATION.
 THIS DOCUMENT CONTAINS CONFIDENTIAL AND PROPRIETARY
 INFORMATION OF ROCKWELL AUTOMATION, INC. AND MAY
 NOT BE USED, COPIED OR DISCLOSED TO OTHERS, EXCEPT
 WITH THE AUTHORIZED WRITTEN PERMISSION OF ROCKWELL
 AUTOMATION, INC.

THIRD ANGLE PROJECTION



DESCRIPTION
59RF-TR-M18
 CUSTOMER DRAWING
 CREATED BY: AKHAN24 CHANGED BY: -

DATE: 2024-01-19 SHEET 1 OF 1
 SIZE DIR VER
C **10007778665** **00**