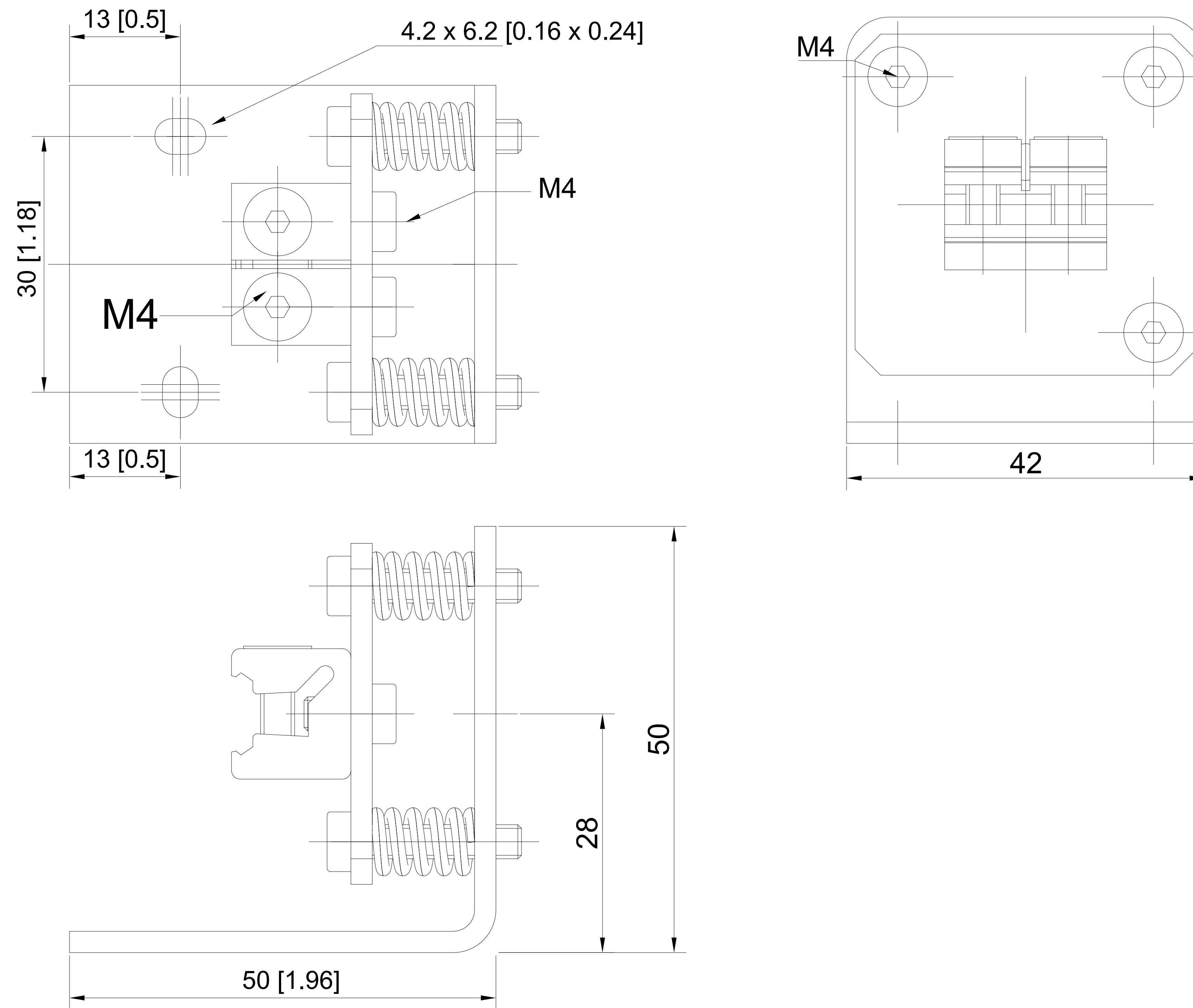


60-BDMS-PS

FIGURE NO. 1



NOTES:
1. ALL DIMENSIONS ARE IN MM (INCHES).

| | | | |
|---|----------------------------------|--|--------------------------------|
| | | <small>CONFIDENTIAL AND PROPRIETARY INFORMATION. THIS DOCUMENT CONTAINS CONFIDENTIAL AND PROPRIETARY INFORMATION OF ROCKWELL AUTOMATION, INC. AND MAY NOT BE USED, COPIED OR DISCLOSED TO OTHERS, EXCEPT WITH THE AUTHORIZED WRITTEN PERMISSION OF ROCKWELL AUTOMATION, INC.</small> | |
| <small>DESCRIPTION</small> MOUNTING BRACKET, PRECISION ADJUSTMENT FOR 55 MM RECTANGULAR SENSORS, STAINLESS STEEL | | <small>DATE</small> 2019-11-21 | <small>SHEET</small> 1 OF 1 |
| <small>SIZE</small> D | <small>DIR</small> | <small>VER</small> | <small>VER</small> |
| <small>CREATED BY</small> VR1 | <small>CHANGED BY</small> VR1 | | |