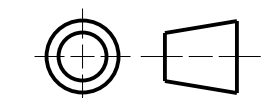


ALL UNDIMENSIONED GEOMETRIES ARE CONTROLLED BY THE CAD MODEL. IN CASE OF DIMENSION DISCREPANCY, CAD MODEL OVERRIDES.

THIRD ANGLE PROJECTION



**DIMENSION DRAWING, 1494C
600AMP RH CABLE OPERATED**

CREATED BY: LEQUENTIN

CHANGED BY: *****

10005629997 CAD MODEL

CONFIDENTIAL AND PROPRIETARY INFORMATION. THIS DOCUMENT CONTAINS CONFIDENTIAL AND PROPRIETARY INFORMATION OF ROCKWELL AUTOMATION, INC. AND MAY NOT BE USED, COPIED OR DISCLOSED TO OTHERS, EXCEPT WITH THE AUTHORIZED WRITTEN PERMISSION OF ROCKWELL AUTOMATION, INC.

DATE: 2020-06-17 SHEET 1 OF 3

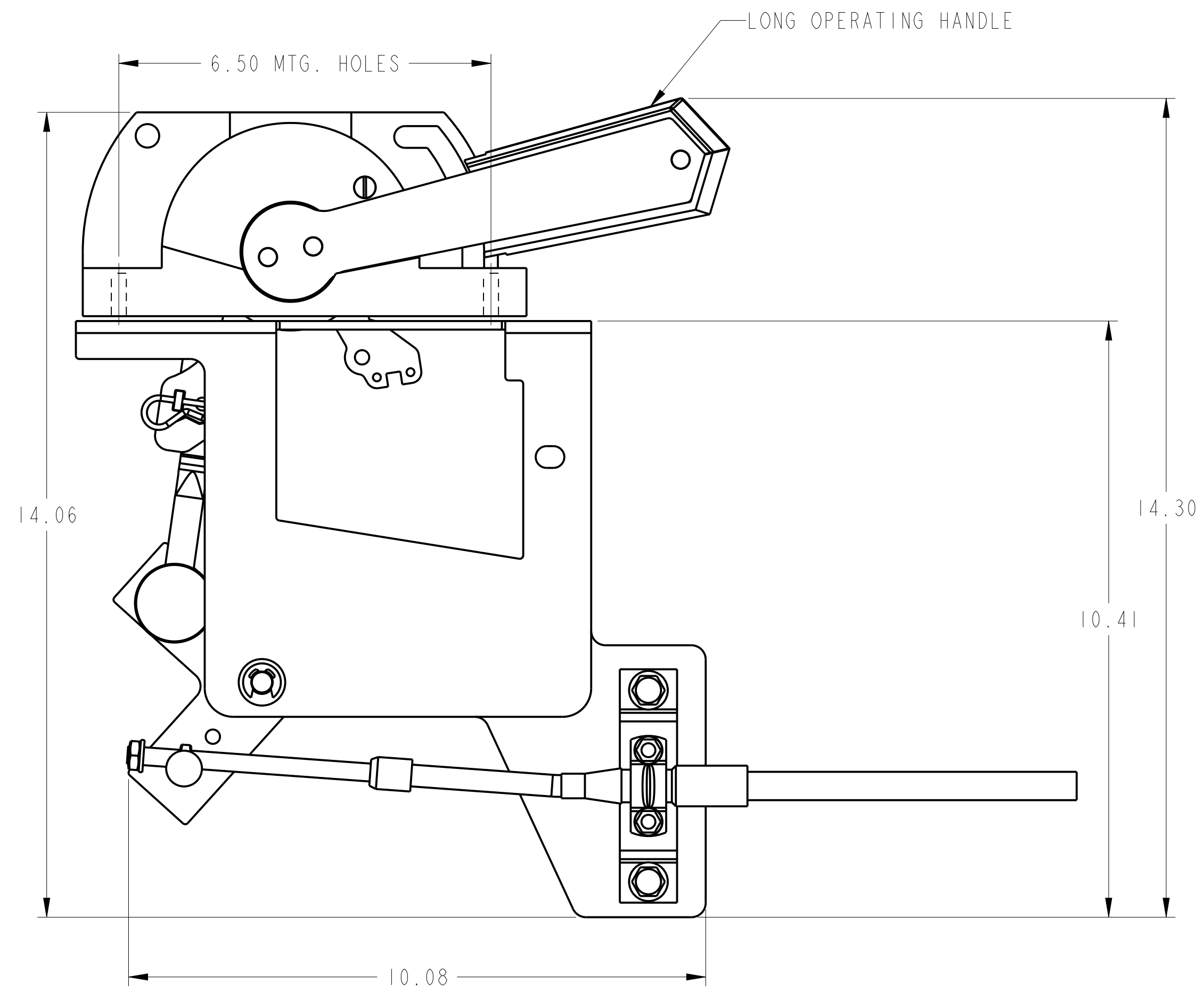
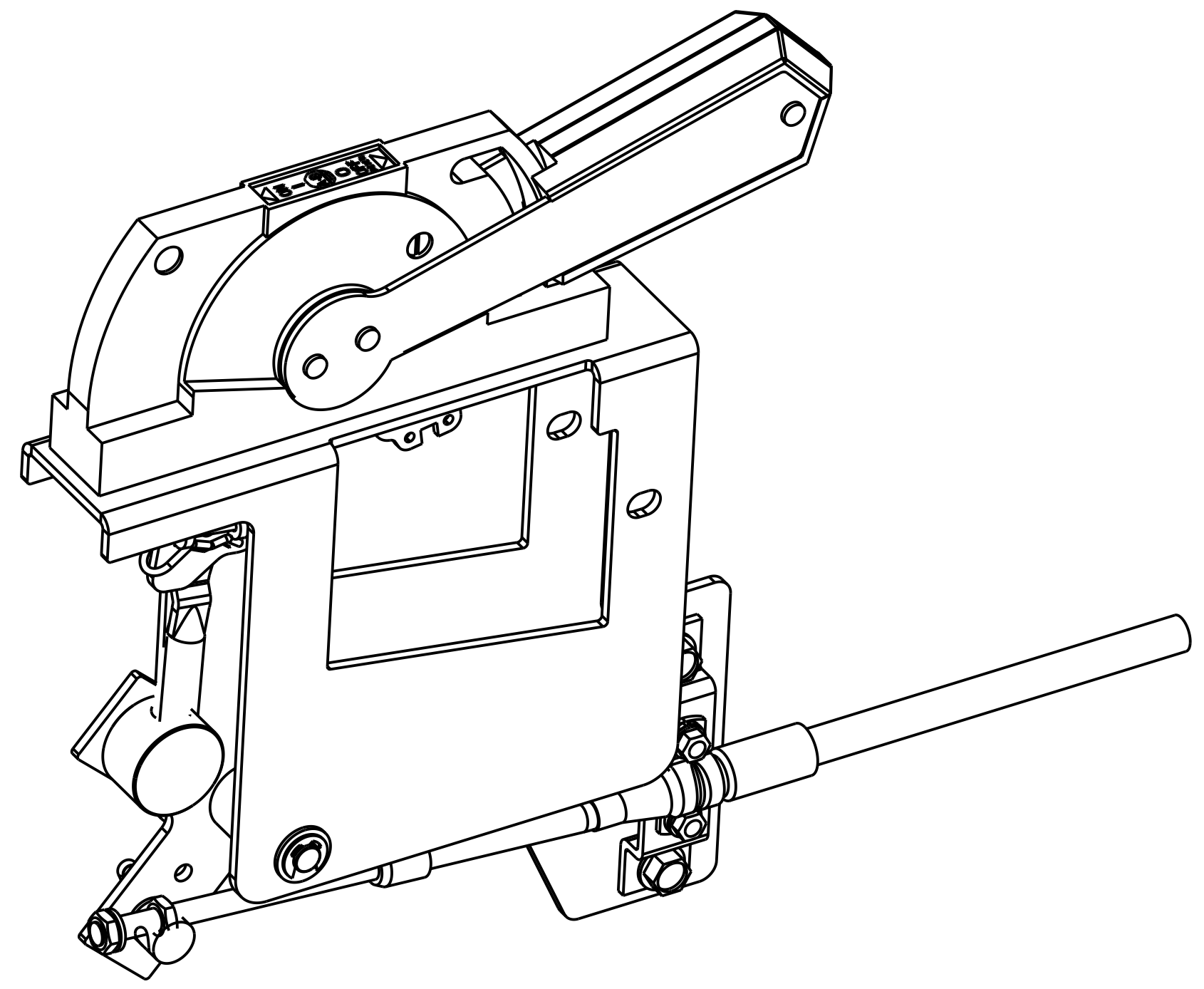
SIZE DIR VER

C 10005629998 00

1 2 3 4 5 6 7 8

A
B
C
D
E
F
G
H

A
B
C
D
E
F
G
H



41021-482-LAYOUT-ASM CAD MODEL



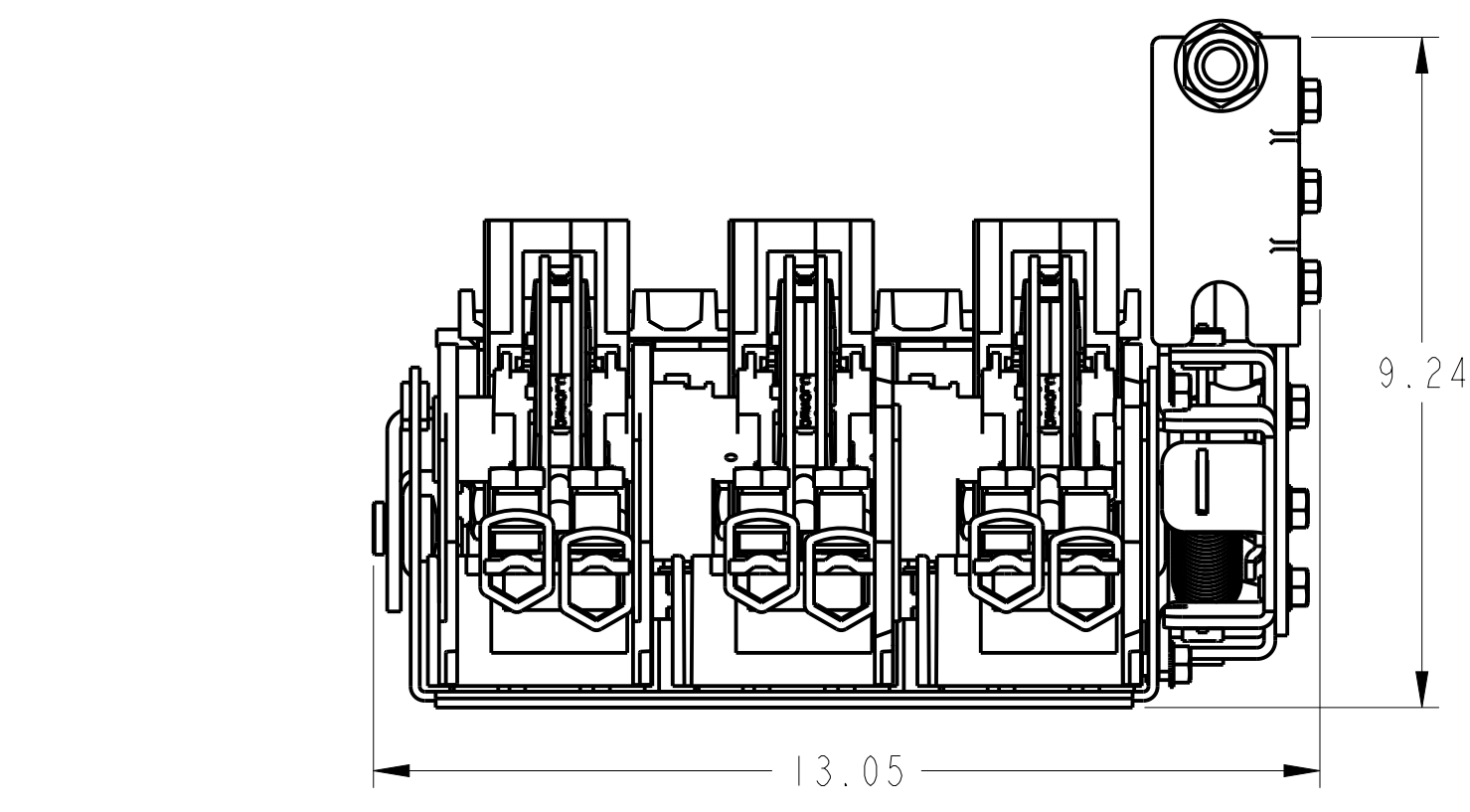
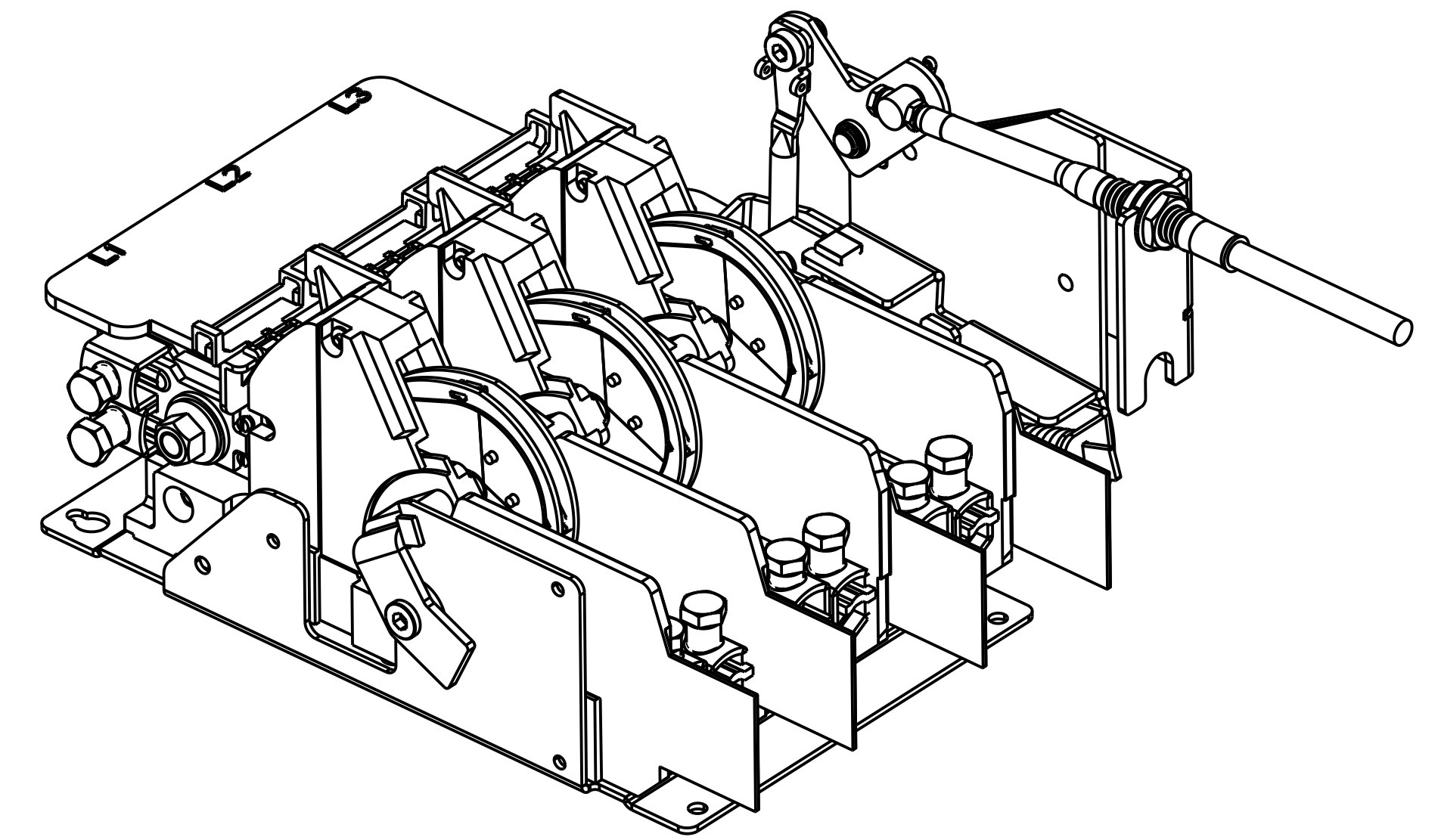
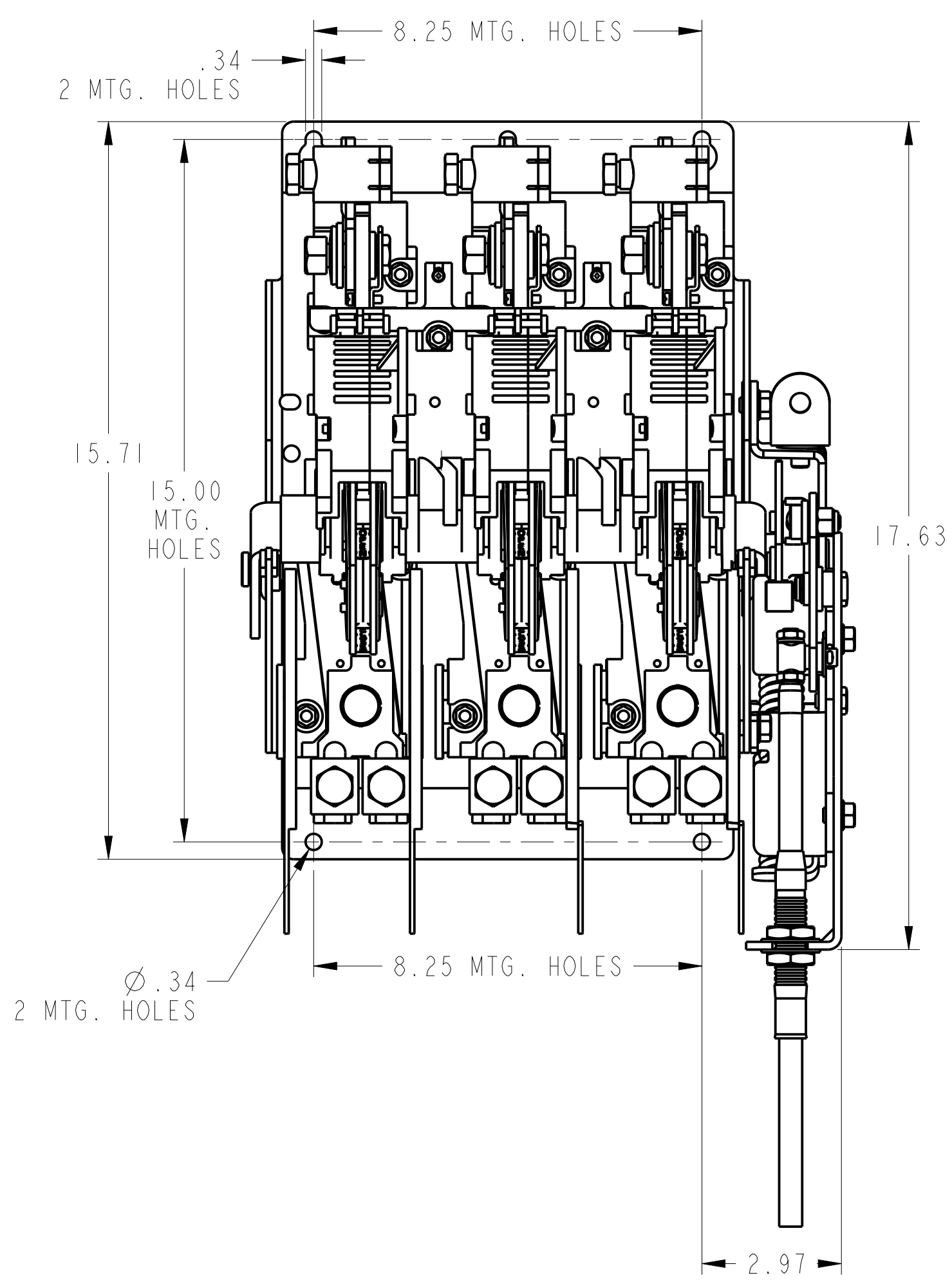
CONFIDENTIAL AND PROPRIETARY INFORMATION.
THIS DOCUMENT CONTAINS CONFIDENTIAL AND PROPRIETARY
INFORMATION OF ROCKWELL AUTOMATION, INC. AND MAY
NOT BE USED, COPIED OR DISCLOSED TO OTHERS, EXCEPT
WITH THE AUTHORIZED WRITTEN PERMISSION OF ROCKWELL
AUTOMATION, INC.

DESCRIPTION
**DIMENSION DRAWING, 1494C
600AMP RH CABLE OPERATED**

DATE: 2020-06-17 SHEET 2 OF 3
SIZE DIR VER
c 10005629998 00

CREATED BY: LEQUENTIN CHANGED BY: *****

1 2 3 4 5 6 7 8



10005629996 CAD MODEL

		CONFIDENTIAL AND PROPRIETARY INFORMATION. THIS DOCUMENT CONTAINS CONFIDENTIAL AND PROPRIETARY INFORMATION OF ROCKWELL AUTOMATION, INC. AND MAY NOT BE USED, COPIED OR DISCLOSED TO OTHERS, EXCEPT WITH THE AUTHORIZED WRITTEN PERMISSION OF ROCKWELL AUTOMATION, INC.		
		DIMENSION DRAWING, 1494C 600AMP RH CABLE OPERATED	DATE: 2020-06-17 SHEET 3 OF 3	
DESCRIPTION	CREATED BY: LEQUENTIN	CHANGED BY: *****	SIZE DIR C 10005629998	VER 00