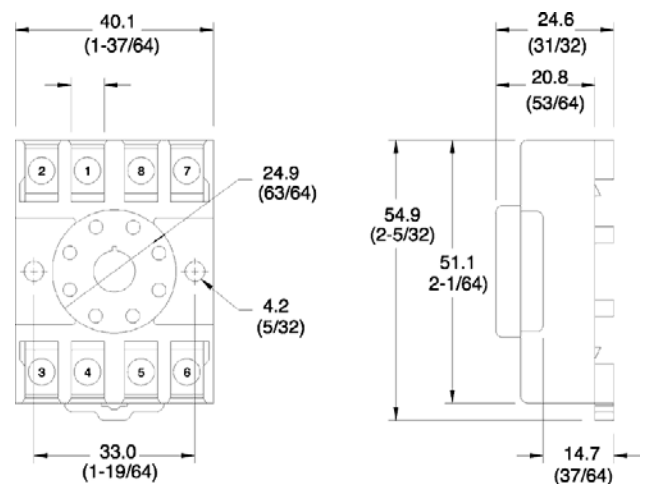
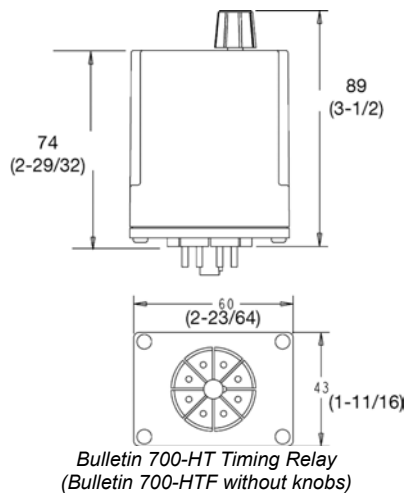
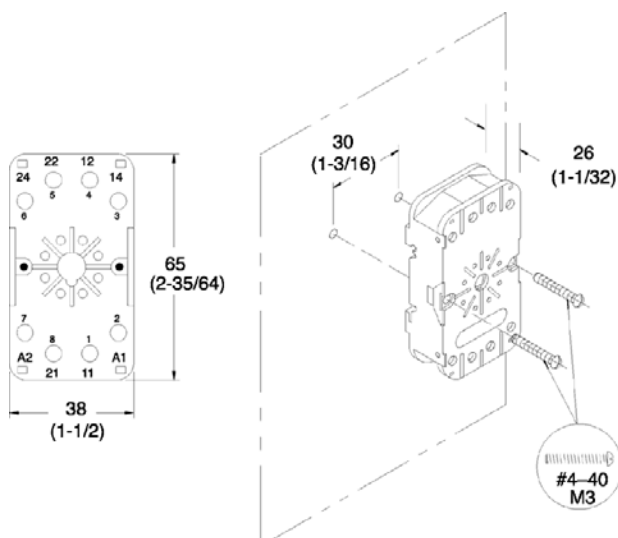


## Approximate Dimensions

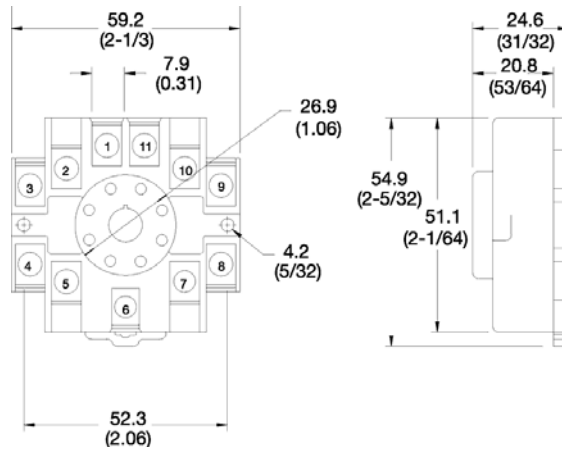
Approximate Dimensions are shown in millimeters (inches). Approximate Dimensions are not intended to be used for manufacturing purposes.



*Cat. No. 700-HN125*  
 Wire Size:  $2 \times 2.5 \text{ mm}^2$  Single Wire — Up to #12 AWG Double Wire —  $2 \times 2.5 \text{ mm}^2$  (#2 – 14 AWG... #2 – 20 AWG)(Either Solid or Stranded) Strip Length: 9 mm (3/8 in) — Torque: 0.8 N•m (7 lb•in)

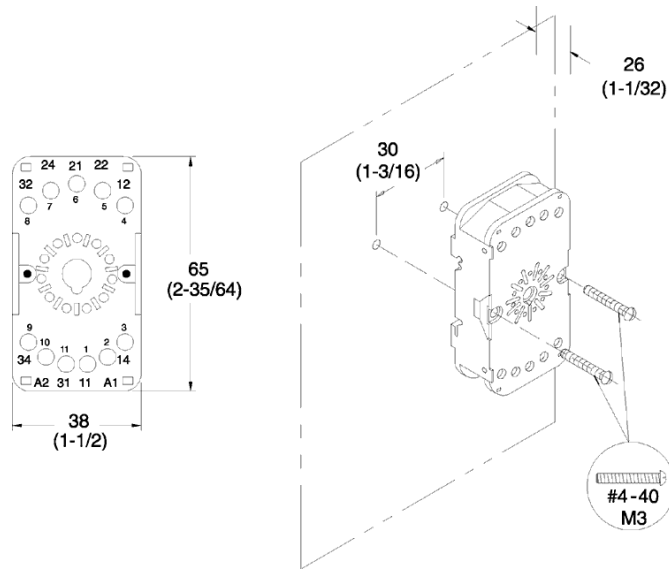


*Cat. No. 700-HN100*  
 Panel Mounting  
 Double Wire —  $2 \times 2.5 \text{ mm}^2$  (#2 – 14 AWG... #2 – 20 AWG)(Either Solid or Stranded) Strip Length: 9 mm (3/8 in) – Torque: 0.8 N•m (7 lb•in)



Cat. No. 700-HN126

Wire Size:  $2 \times 2.5 \text{ mm}^2$  Single Wire — Up to 12 AWG Double Wire —  $2 \times 2.5 \text{ mm}^2$  (#2 – 14 AWG...#2 – 20 AWG)(Either Solid or Stranded) Strip Length: 9 mm (3/8 in) — Torque: 0.8 N•m (7 lb•in)



Cat. No. 700-HN101

Panel Mounting

Double Wire —  $2 \times 2.5 \text{ mm}^2$  (#2 – 14 AWG...#2 – 20 AWG)(Either Solid or Stranded) Strip Length: 9 mm (3/8 in) — Torque: 0.8 N•m (7 lb•in)