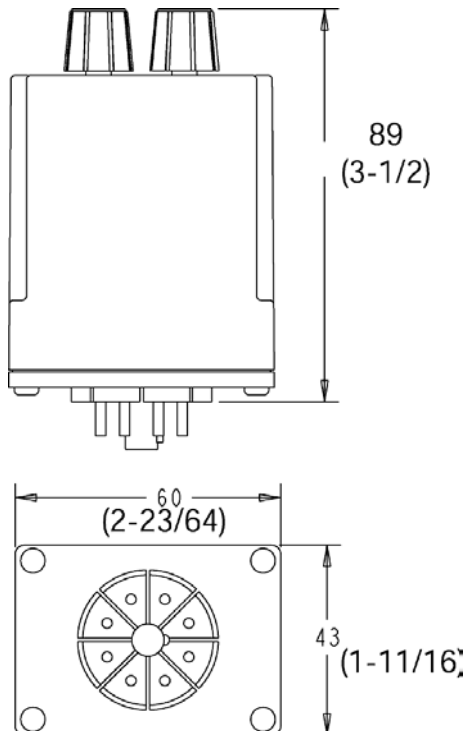
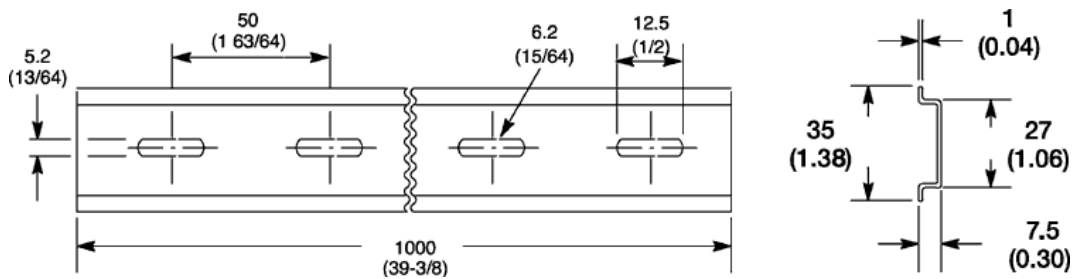


## Approximate Dimensions

Approximate Dimensions are shown in millimeters (inches). Approximate Dimensions are not intended to be used for manufacturing purposes.

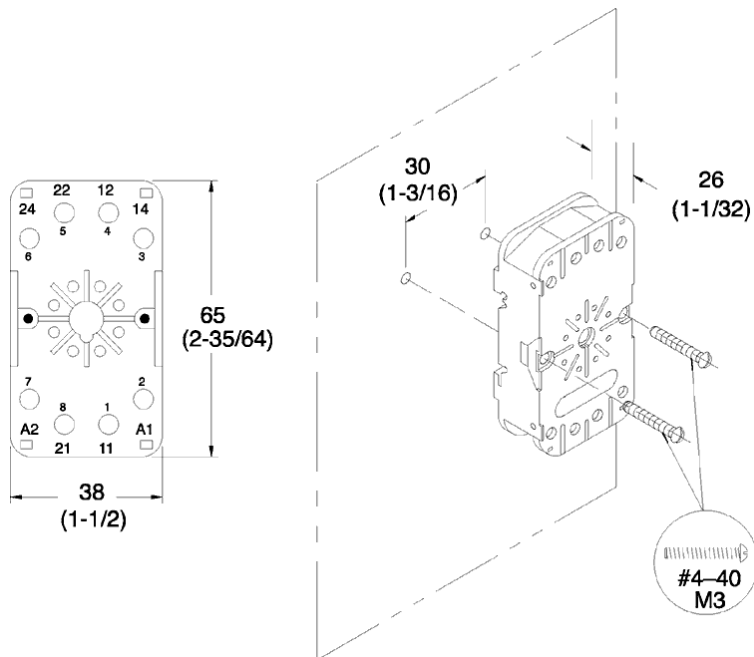


*Bulletin 700-HV Timing Relay*

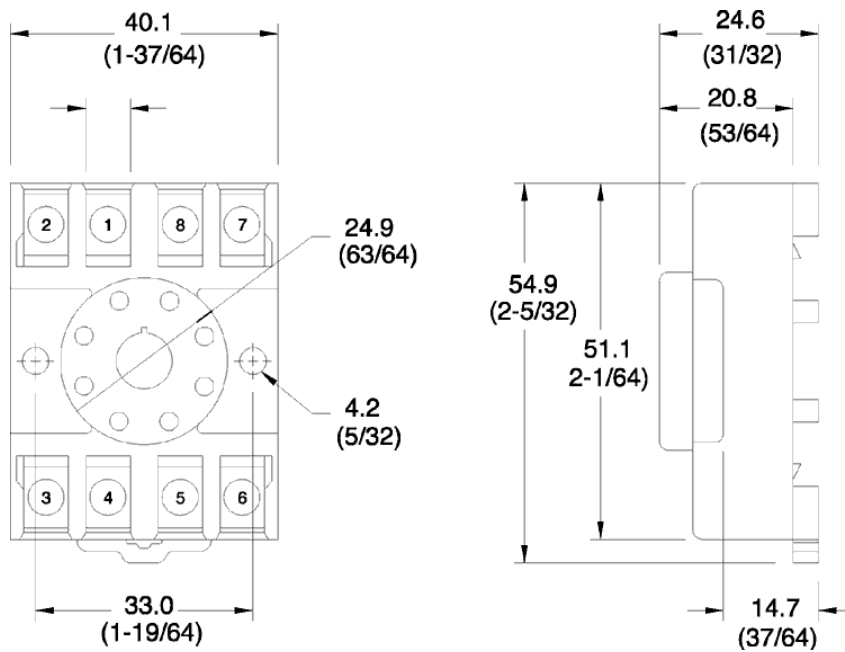


*Cat. No. 199-DR1 DIN Mounting Rail Series B*

*Cat. No. 199-DR4 DIN Mounting Rail Series B Has No Mounting Holes*



Cat. No. 700-HN100  
 Panel Mounting  
 Double Wire— $2 \times 2.5\text{mm}^2$  (#2-14 AWG...#2-20 AWG)  
 (Either Solid or Stranded)  
 Strip Length: 9 mm (3/8 in) - Torque: 0.8 N•m (7 ib•in)



Cat. No. 700-HN125  
 Wire Size:  $2 \times 2.5\text{mm}^2$   
 Single Wire—Up to #12 AWG  
 Double Wire— $2 \times 2.5\text{mm}^2$  (#2-14 AWG...#2-20 AWG)  
 (Either Solid or Stranded)  
 Strip Length: 9 mm (3/8 in) - Torque: 0.8 N•m (7 ib•in)