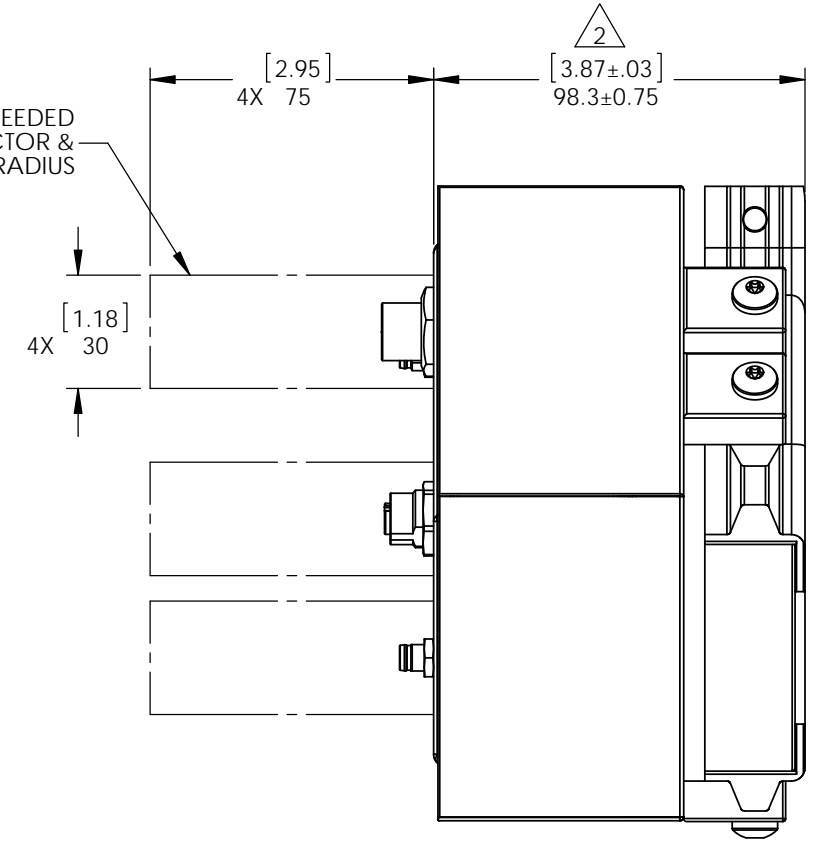
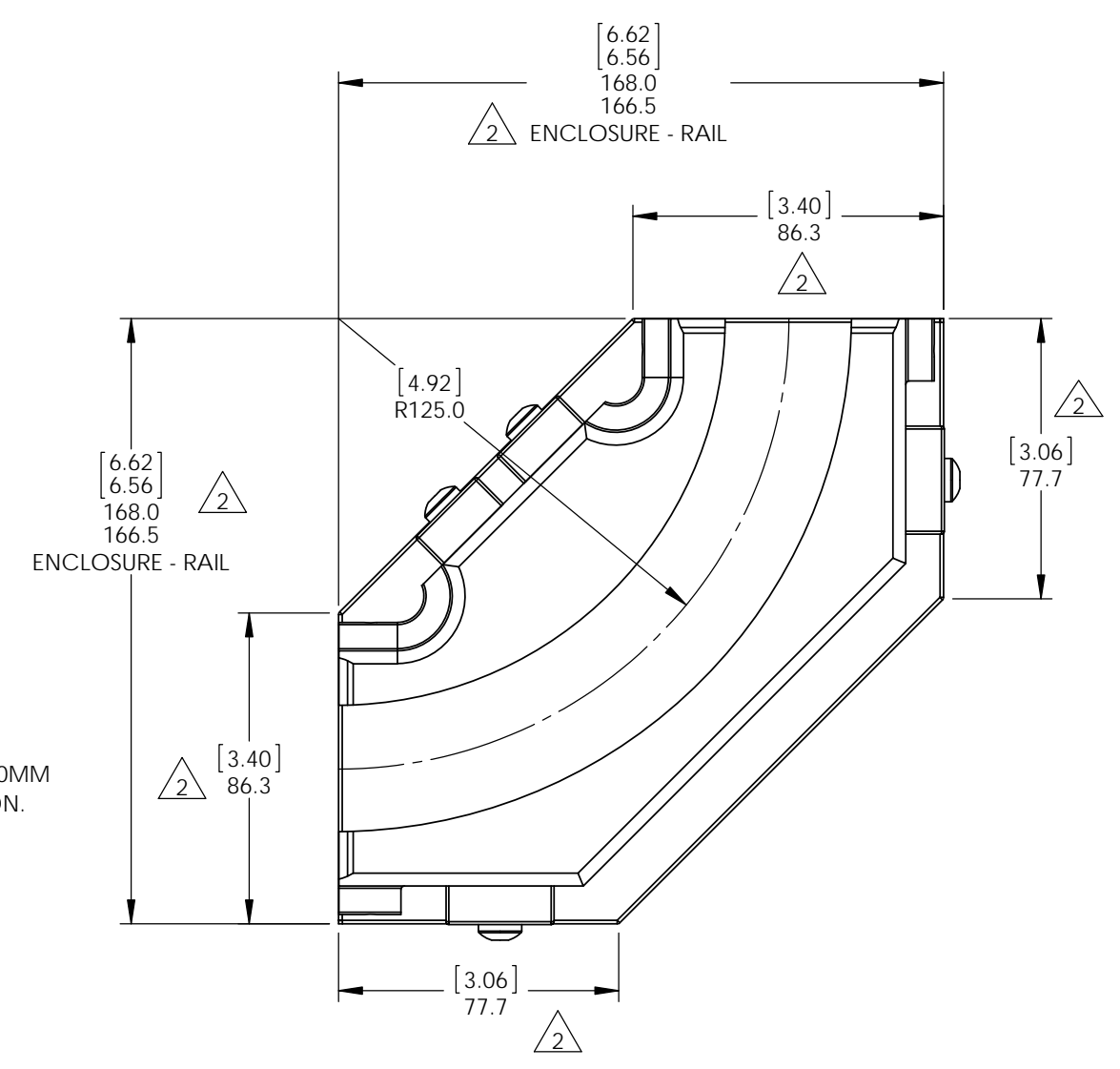


CLEARANCE NEEDED FOR CONNECTOR & WIRE BEND RADIUS



3 DELETED 60MM DIMENSION.



MagneMotion Inc.
139 Barnum Road
Devens, MA 01434 USA
(978) 757-9100

TITLE	ICD, MOTOR, CURVE, SS RAILS, GEN4, ML	REV	3
MATERIAL			
DWG NO.	701-1308-44	SHEET 2 OF 2	