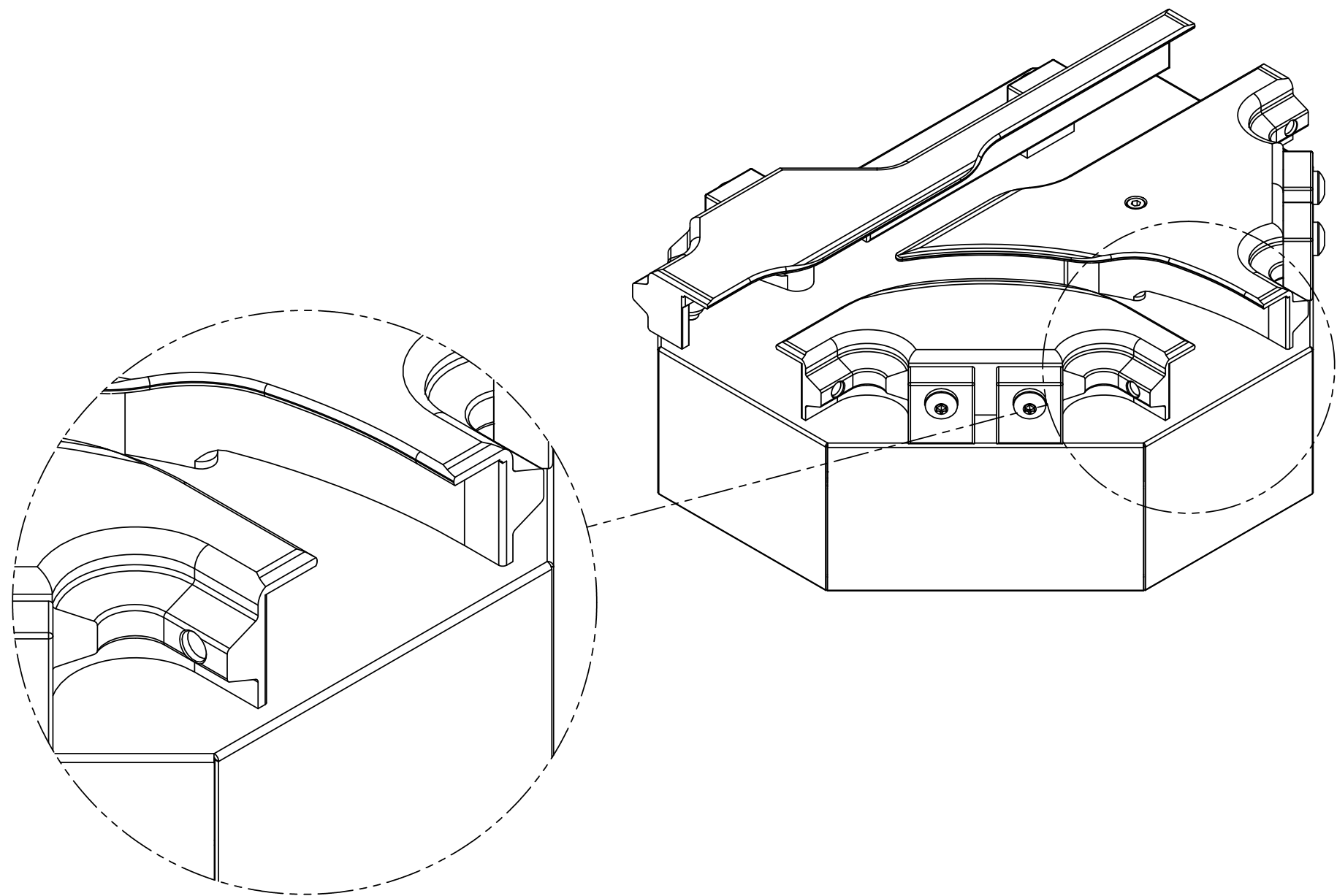
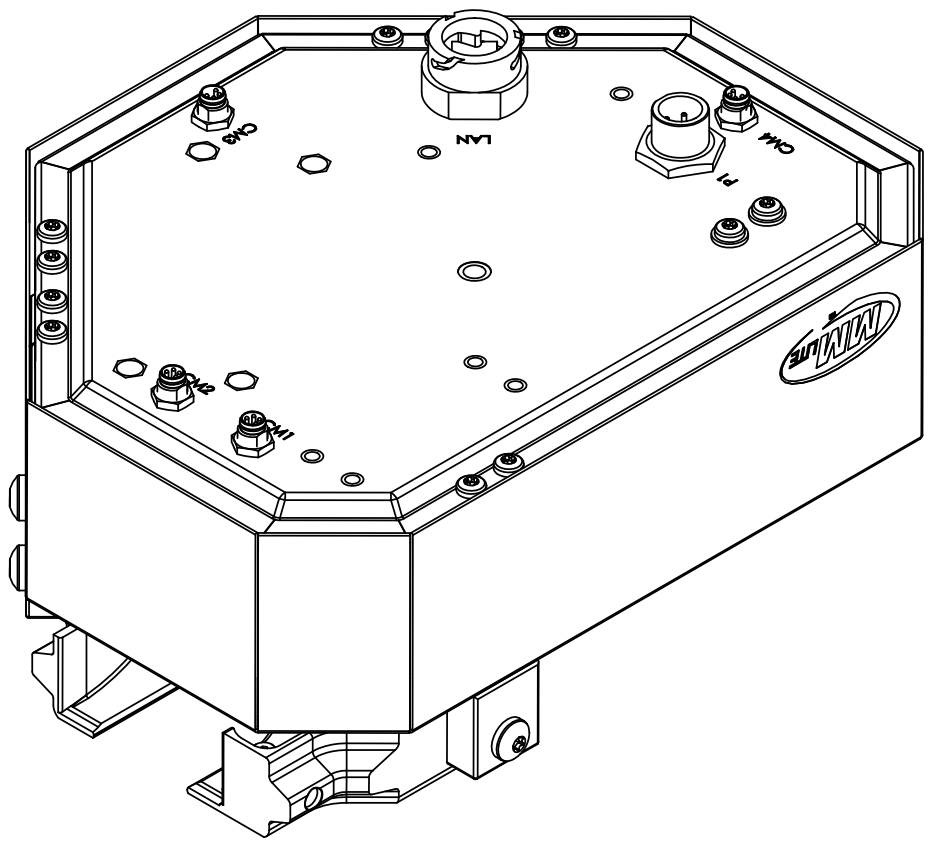


PART NUMBER SUMMARY	
MMI P/N	DESCRIPTION
700-1308-60	ASSY, MOTOR, SWITCH, RIGHT, AL RAILS, GEN4, ML
700-1308-61	ASSY, MOTOR, SWITCH, RIGHT, SS RAILS, GEN4, ML



DETAIL A
SCALE 1 : 1



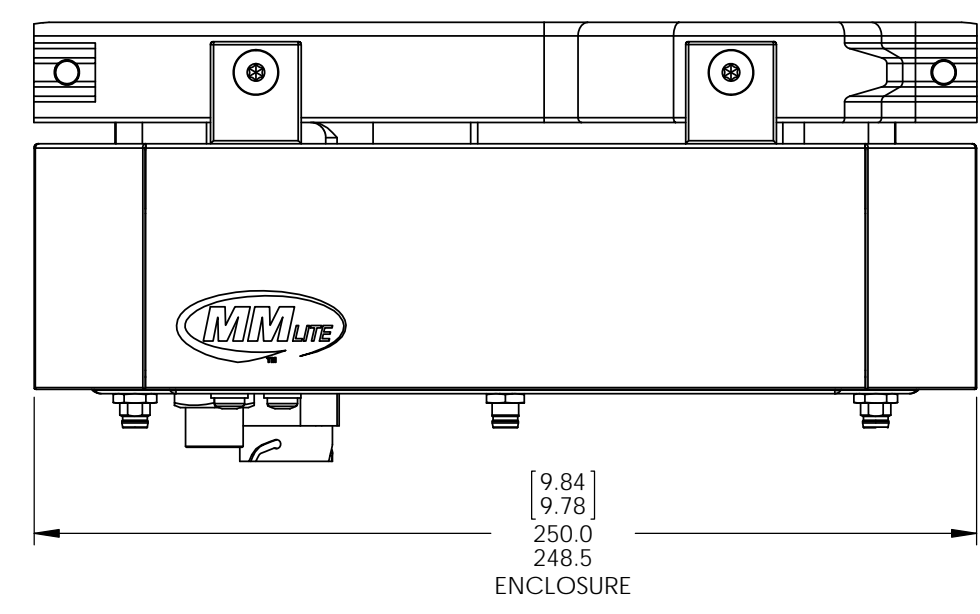
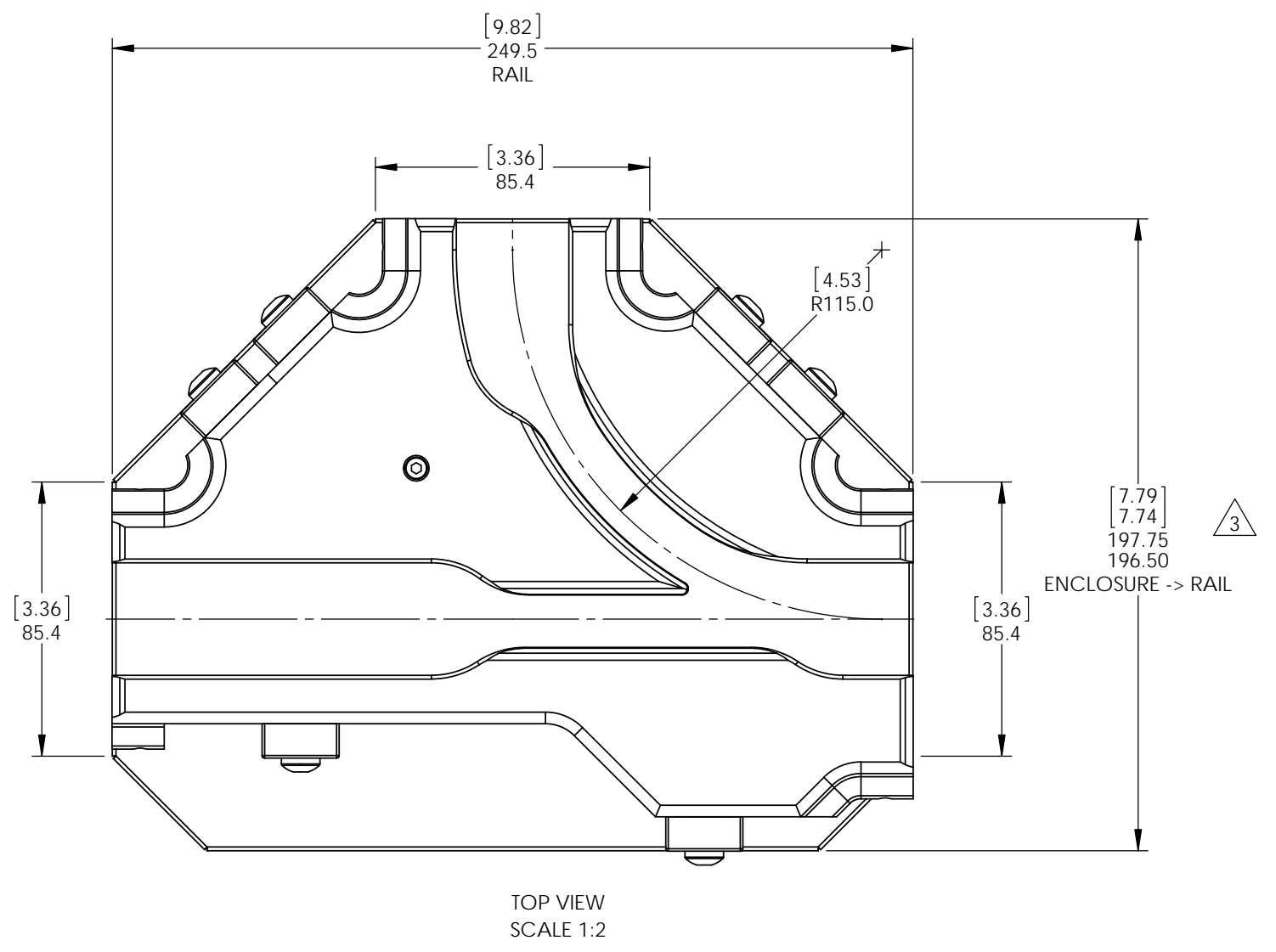
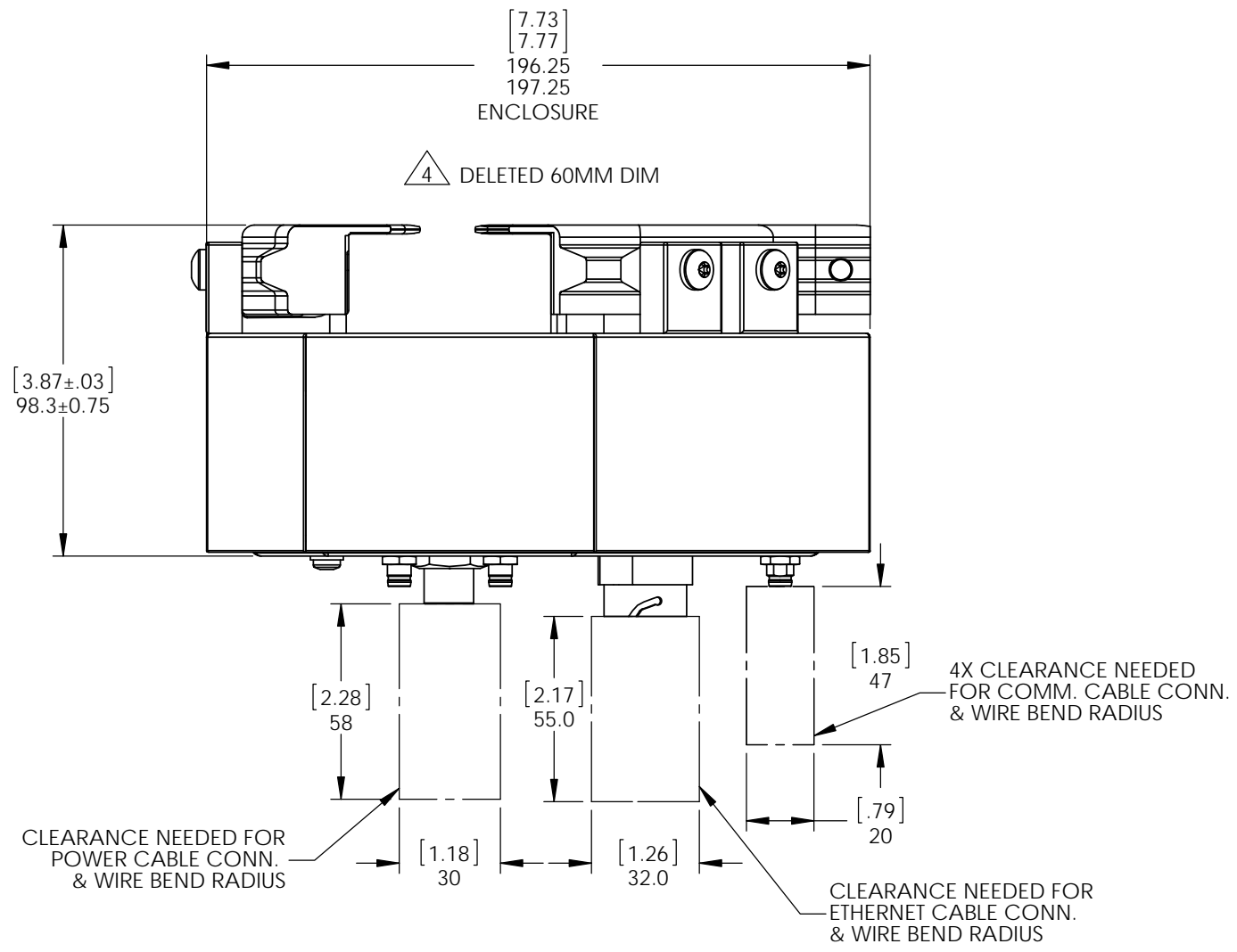
- 4 DELETED 60MM DIMENSION FROM LEFT VIEW (ZONE C4, SHEET 2).
- 3 REVISED DIM FROM [7.74/7.75] 196.5/196.75 (SHT 2)

UNLESS OTHERWISE SPECIFIED		
ALL DIMENSIONS IN MM BREAK ALL SHARP EDGES CLEAN AND DEBURR USE MIN BEND RADII	SURFACE FINISH [63] 1.6	TOLERANCES X.XX ± 0.13 X.X ± 0.25 X ± 0.5 DEG ± 0.5° TORQUE ± 25%

MAGNEMOTION CONFIDENTIAL
Copyright© 2012 MagneMotion Inc.
The information contained in this drawing is the sole property of MagneMotion Inc. Any reproduction in part or whole without the written permission of MagneMotion is prohibited

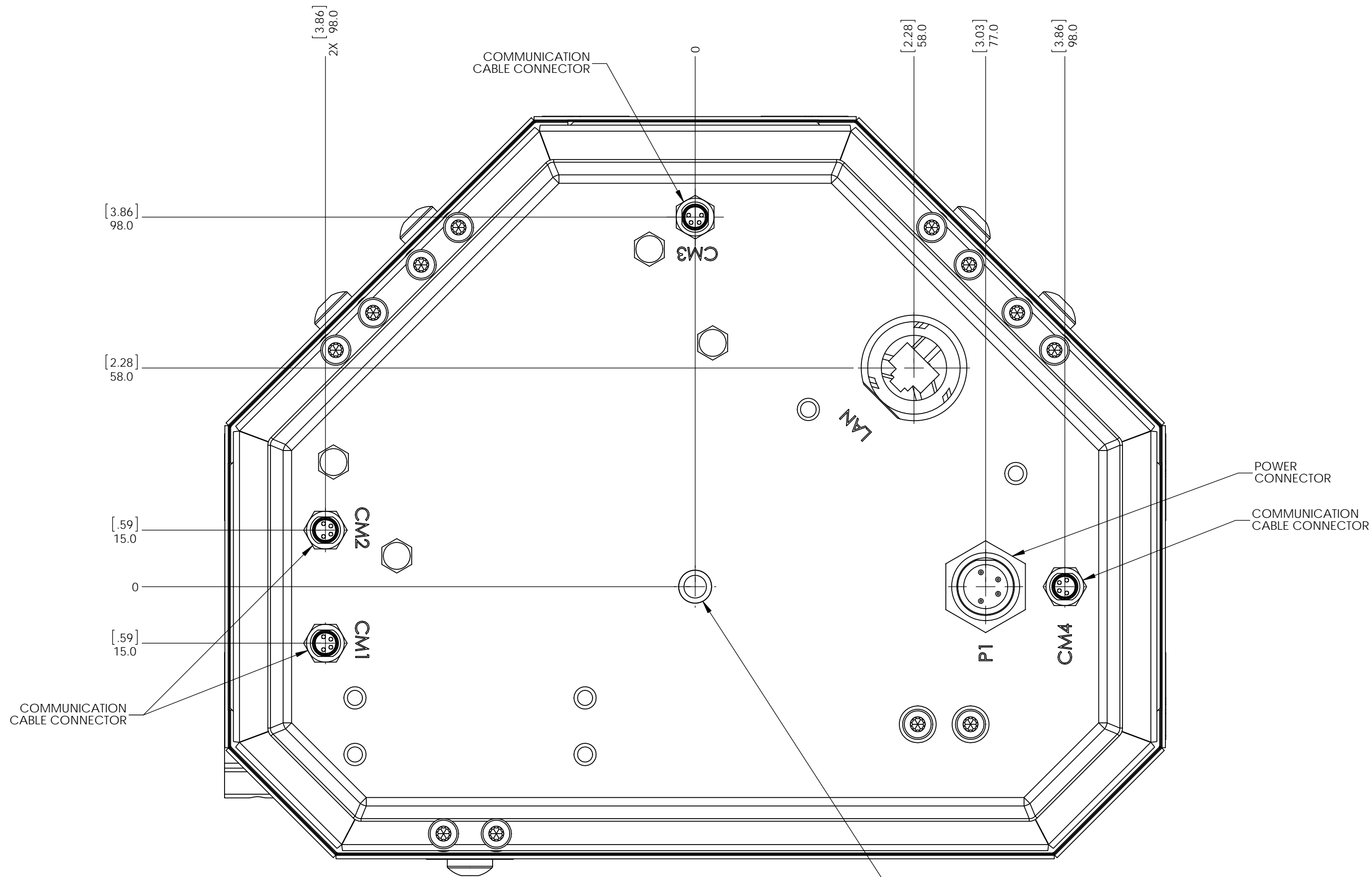
INTERPRET DRAWING PER ANSI Y14.5M-1982			
DO NOT SCALE DRAWING	SHEET SIZE B	PROJECT ML	DATE 2012-09-17
CAD PKG. SolidWorks 2012	SCALE 1:2	ENGINEER J. MENDENHALL	DRAWN BY D. LAW
CAD FILE 701-1308-60.SLDDRW	THIRD-ANGLE PROJECTION		

MagneMotion Inc. 139 Barnum Road Devens, MA 01434 USA (978) 757-9100	TITLE ICD, MOTOR, SWITCH, RIGHT, GEN4, ML	REV 4
	MATERIAL -	
CAGE CODE 1LR11	DWG NO. 701-1308-60	SHEET 1 OF 3



MagneMotion Inc.
 139 Barnum Road
 Devens, MA 01434 USA
 (978) 757-9100

TITLE	ICD, MOTOR, SWITCH, RIGHT, GEN4, ML	REV	4
MATERIAL			
DWG NO.	701-1308-60	SHEET 2 OF 3	



BOTTOM VIEW
SCALE 1:1

M6 X 1.00 7mm
MOUNTING HOLE
MAX ALLOWABLE TORQUE = 5.5 Nm

MagneMotion Inc.

139 Barnum Road
Devens, MA 01434 USA
(978) 757-9100

TITLE	ICD, MOTOR, SWITCH, RIGHT, GEN4, ML	REV	4
MATERIAL			

DWG NO. 701-1308-60

SHEET 3 OF 3