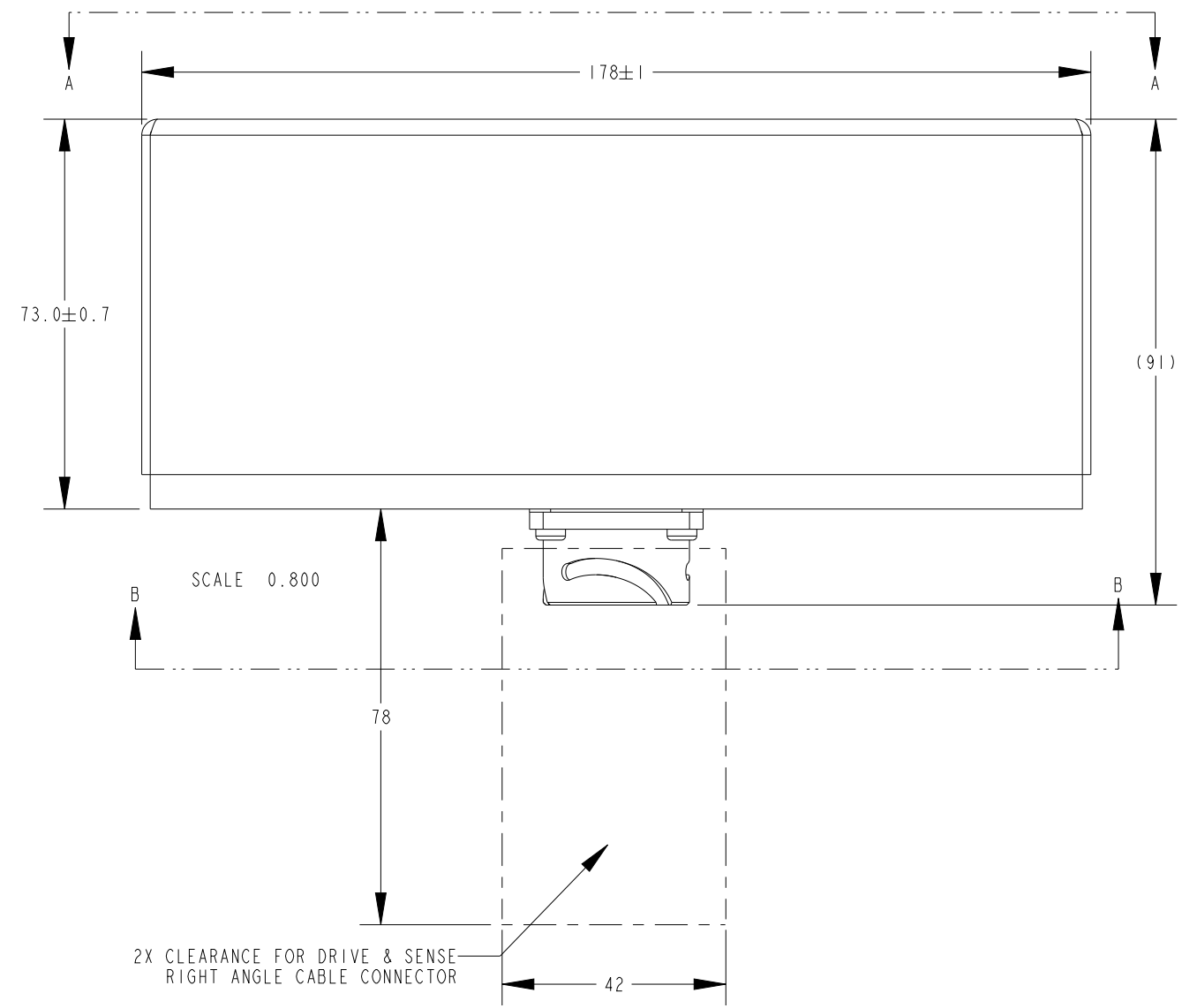
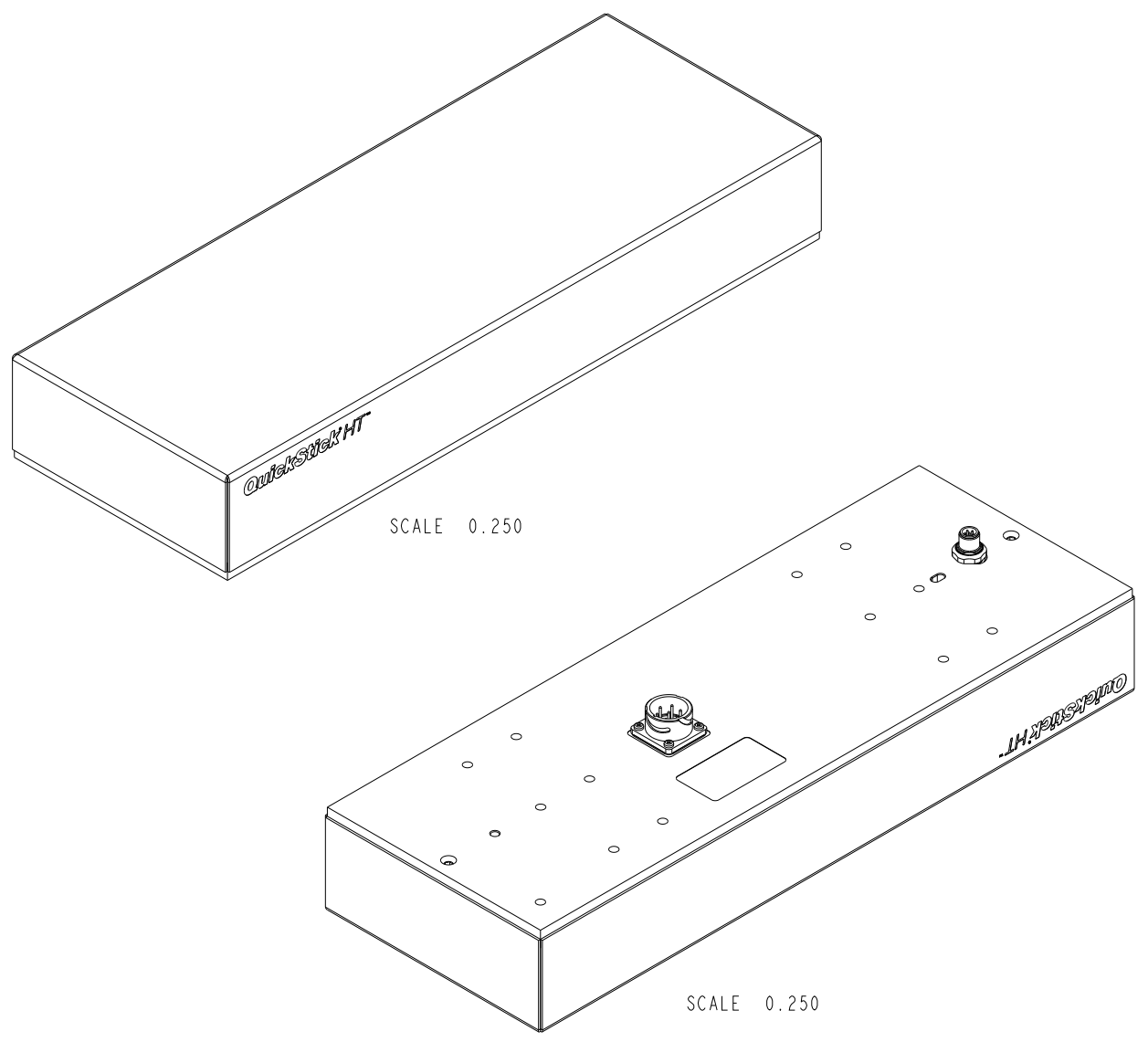


CRITICAL TO QUALITY CLASSIFICATION TABLE					
P=PERFORMANCE, F=FIT, A=ASSEMBLY					
X=IDENTIFIES APPLICABLE CLASSIFICATION(S)					
◇=ENGINEERING AND/OR MANUFACTURING REQUIREMENT					
Ⓜ=REGULATORY REQUIREMENT-CONFORMANCE IS MANDATORY					
COMMENTS	DRAWING ZONE	P	F	A	R
ROHS	G1-HI				X

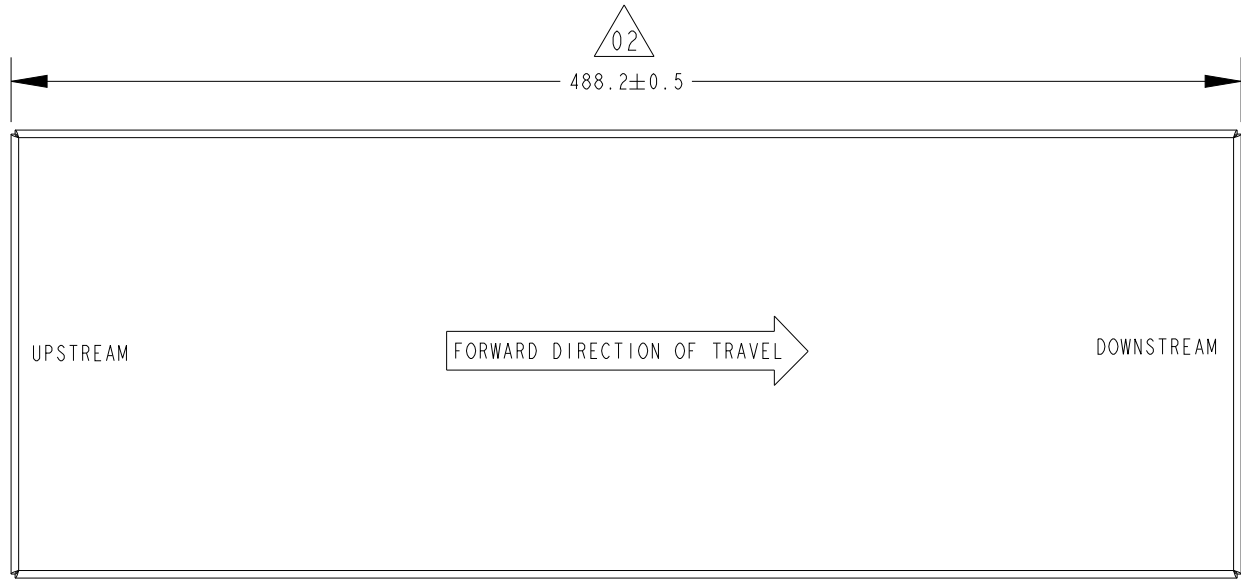


02 DIMENSION UPDATED

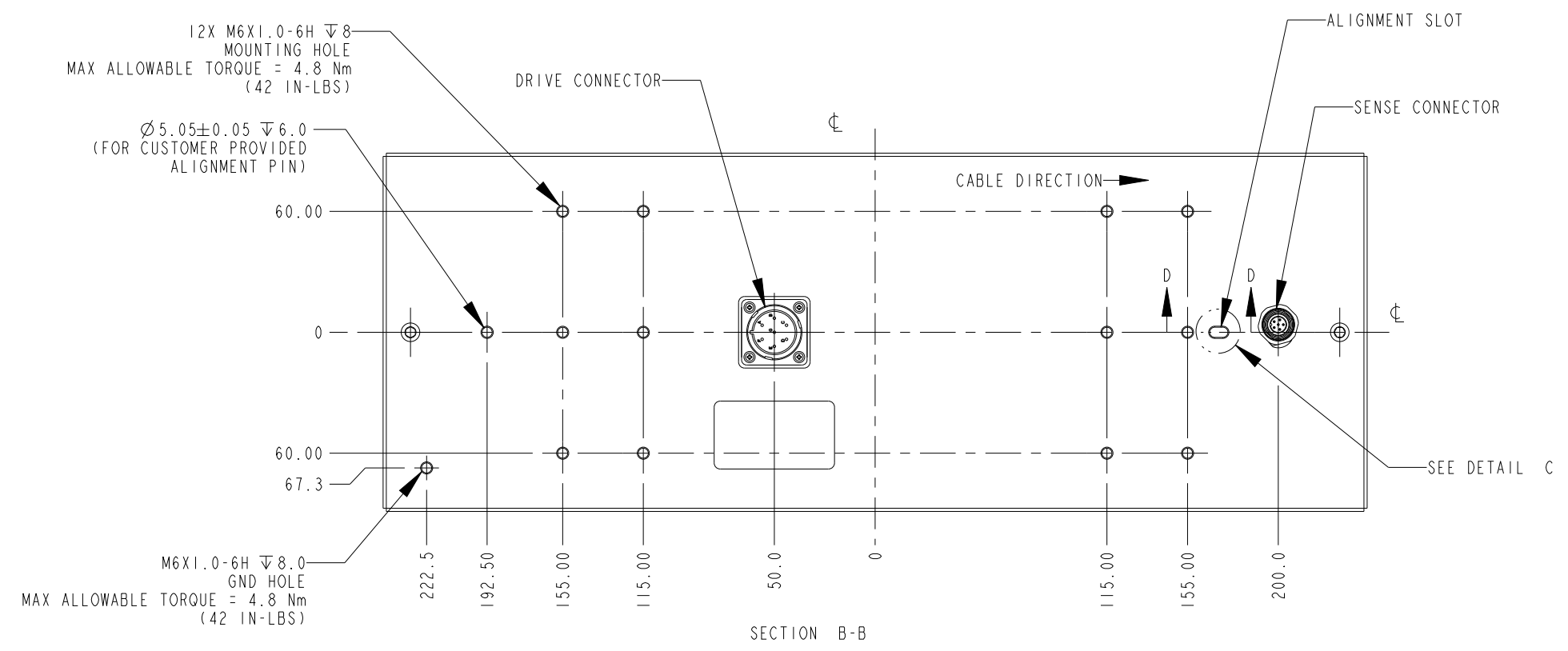
MUST COMPLY WITH ROCKWELL AUTOMATION ENVIRONMENTAL SPECIFICATION 970-20-01

- NOTES:
1. ALL DIMENSIONS ARE IN MM
 2. BREAK ALL SHARP EDGES
 3. CLEAN AND DEBURR
 4. USE MIN BEND RADII

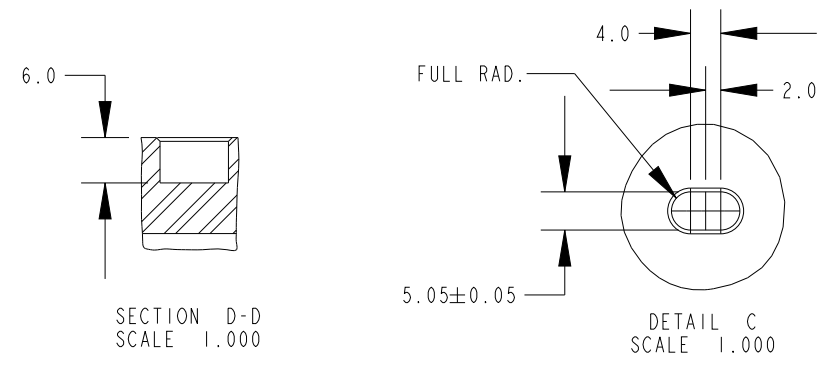
D. LAW	1:3	XXXXX-XXX-XX	1.6	-	10005189054	700-1483-03		
ENGINEER	SCALE	WORKMANSHIP STANDARDS	FINISH	MATERIAL	MODEL/DIR NO.	PART/MMR NUMBER		
DIMENSION UNITS-mm		ALL UNDIMENSIONED GEOMETRIES ARE CONTROLLED BY THE CAD MODEL. IN CASE OF DIMENSION DISCREPANCY, CAD MODEL OVERRIDES.		Rockwell Automation		CONFIDENTIAL AND PROPRIETARY INFORMATION. THIS DOCUMENT CONTAINS CONFIDENTIAL AND PROPRIETARY INFORMATION OF ROCKWELL AUTOMATION, INC. AND MAY NOT BE USED, COPIED OR DISCLOSED TO OTHERS, EXCEPT WITH THE AUTHORIZED WRITTEN PERMISSION OF ROCKWELL AUTOMATION, INC.		
DIMENSIONS APPLY BEFORE SURFACE TREATMENT.		UNSPECIFIED TOLERANCES ARE AS FOLLOWS: X.XX ±0.13 X.X ±0.25 X. ±0.5 DEG ±0.5° TORQUE ±25%						
THIRD ANGLE PROJECTION		DESCRIPTION		DATE: 2019-10-17		SHEET 1 OF 2		
		ICD, MOTOR, 1/2M DOUBLE WIDE, QSHT		SIZE	DIR	VER		
		CREATED BY: APATELII		CHANGED BY: *****		B	701-1483-03	02



SECTION A-A
ROTATED 90° CW



SECTION B-B



Rockwell Automation		CONFIDENTIAL AND PROPRIETARY INFORMATION. THIS DOCUMENT CONTAINS CONFIDENTIAL AND PROPRIETARY INFORMATION OF ROCKWELL AUTOMATION, INC. AND MAY NOT BE USED, COPIED OR DISCLOSED TO OTHERS, EXCEPT WITH THE AUTHORIZED WRITTEN PERMISSION OF ROCKWELL AUTOMATION, INC.	
DESCRIPTION ICD, MOTOR, 1/2M DOUBLE WIDE, QSHT		DATE: 2019-10-17	SHEET 2 OF 2
		SIZE DIR B	VER 02
CREATED BY: APATEL I I		CHANGED BY: *****	
		701-1483-03	