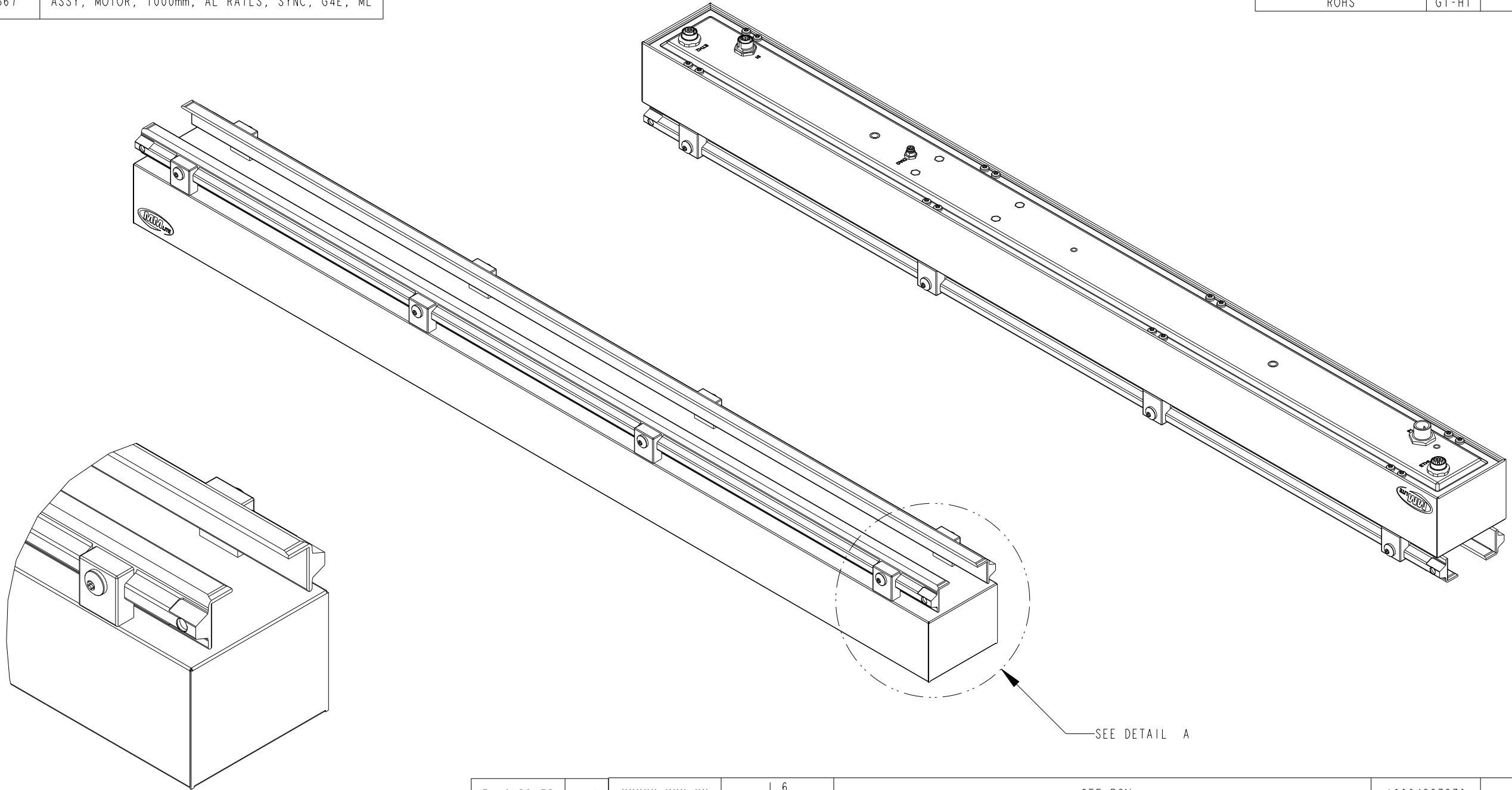


PART NUMBER SUMMARY		
MATERIAL MASTER NO.	3D DIR	DESCRIPTION
700-1708-00	10004227864	ASSY, MOTOR, 1000mm, AL RAILS, G4E, ML
700-1708-03	10004227867	ASSY, MOTOR, 1000mm, AL RAILS, SYNC, G4E, ML

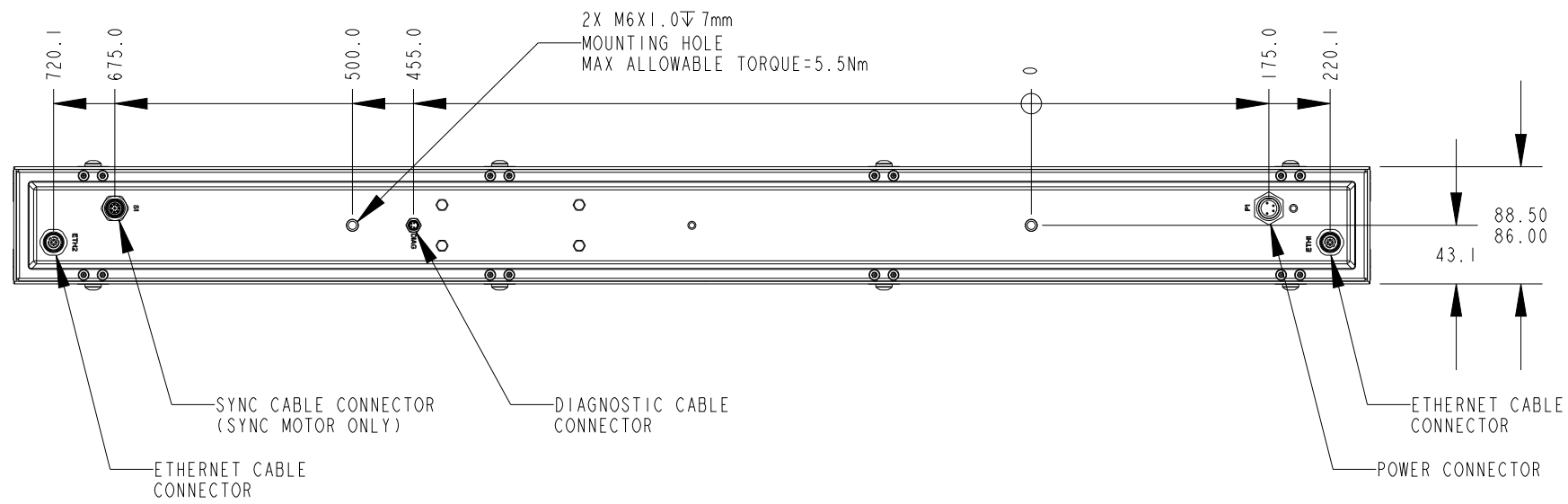
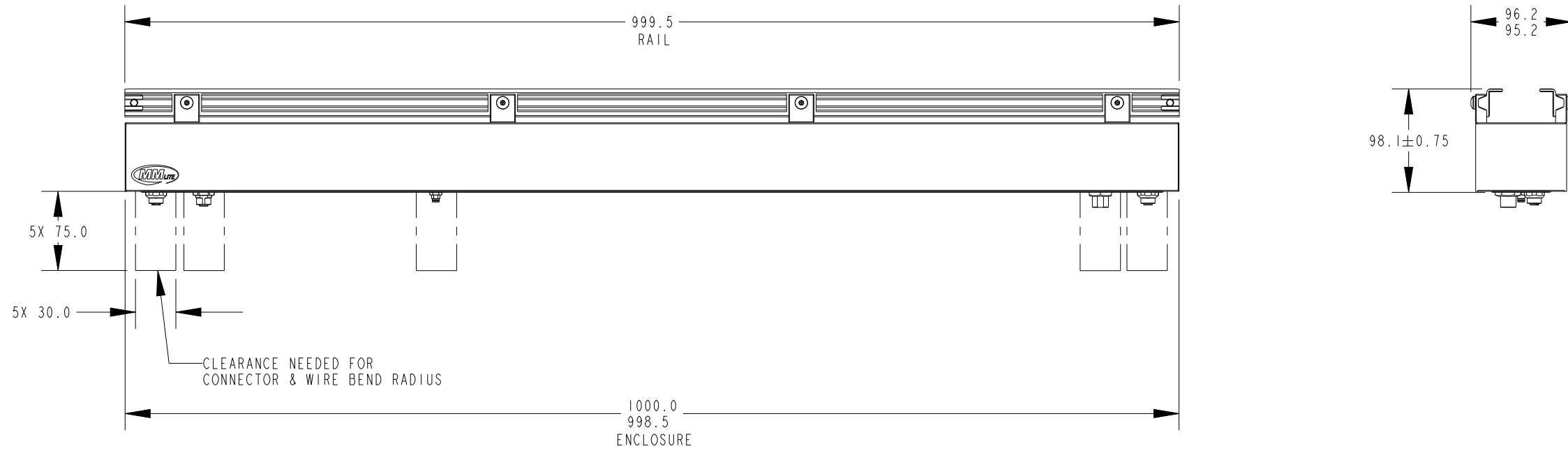
CRITICAL TO QUALITY CLASSIFICATION TABLE					
P=PERFORMANCE, F=FIT, A=ASSEMBLY X=IDENTIFIES APPLICABLE CLASSIFICATION(S) ◇=ENGINEERING AND/OR MANUFACTURING REQUIREMENT Ⓜ=REGULATORY REQUIREMENT-CONFORMANCE IS MANDATORY					
COMMENTS	DRAWING ZONE	P	F	A	R
ROHS	G1-HI				X



DETAIL A  
SCALE 0.500

MUST COMPLY WITH ROCKWELL AUTOMATION ENVIRONMENTAL SPECIFICATION 970-20-01

E. GARDNER	1:4	XXXXX-XXX-XX	1.6	SEE BOM	10004227870	SEE TABLE
ENGINEER	SCALE	WORKMANSHIP STANDARDS	FINISH	MATERIAL	MODEL/DIR NO.	PART/MMR NUMBER
DIMENSION UNITS-mm <del>DIMENSIONS APPLY BEFORE SURFACE TREATMENT.</del> UNSPECIFIED TOLERANCES ARE AS FOLLOWS: X.XX ±0.13 X.X ±0.25 X. ±0.5 DEG ±0.5° TORQUE ±25%		ALL UNDIMENSIONED GEOMETRIES ARE CONTROLLED BY THE CAD MODEL. IN CASE OF DIMENSION DISCREPANCY, CAD MODEL OVERRIDES. THIRD ANGLE PROJECTION				CONFIDENTIAL AND PROPRIETARY INFORMATION. THIS DOCUMENT CONTAINS CONFIDENTIAL AND PROPRIETARY INFORMATION OF ROCKWELL AUTOMATION, INC. AND MAY NOT BE USED, COPIED OR DISCLOSED TO OTHERS, EXCEPT WITH THE AUTHORIZED WRITTEN PERMISSION OF ROCKWELL AUTOMATION, INC.
DESCRIPTION				ICD, MOTOR, 1000MM, AL RAILS, G4E, ML		DATE: 2018-10-03
CREATED BY: NKHADSA				CHANGED BY: *****		SHEET 1 OF 2
SIZE		DIR		VER		
B		701-1708-03		01		



**Rockwell  
Automation**

CONFIDENTIAL AND PROPRIETARY INFORMATION.  
THIS DOCUMENT CONTAINS CONFIDENTIAL AND PROPRIETARY  
INFORMATION OF ROCKWELL AUTOMATION, INC. AND MAY  
NOT BE USED, COPIED OR DISCLOSED TO OTHERS, EXCEPT  
WITH THE AUTHORIZED WRITTEN PERMISSION OF ROCKWELL  
AUTOMATION, INC.

DESCRIPTION	ICD, MOTOR, 1000MM, AL RAILS, G4E, ML		DATE: 2018-10-03	SHEET 2 OF 2	
	SIZE	DIR	VER		
CREATED BY: NKHADSA	CHANGED BY: *****	<b>B</b>	<b>701-1708-03</b>		<b>01</b>