

Figure A.4 PowerFlex 70 IP20 / NEMA Type 1 Bottom View Dimensions

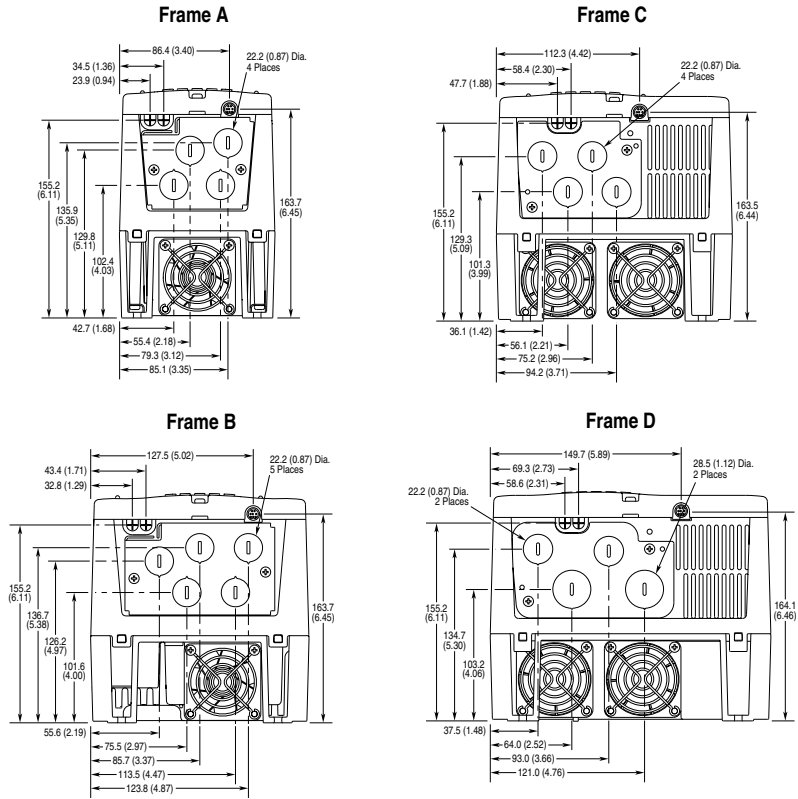
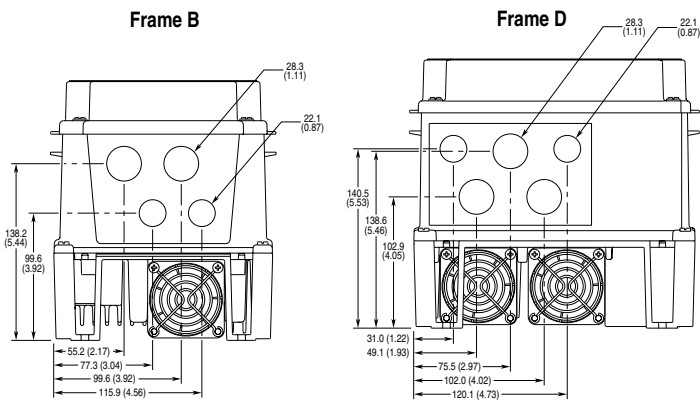
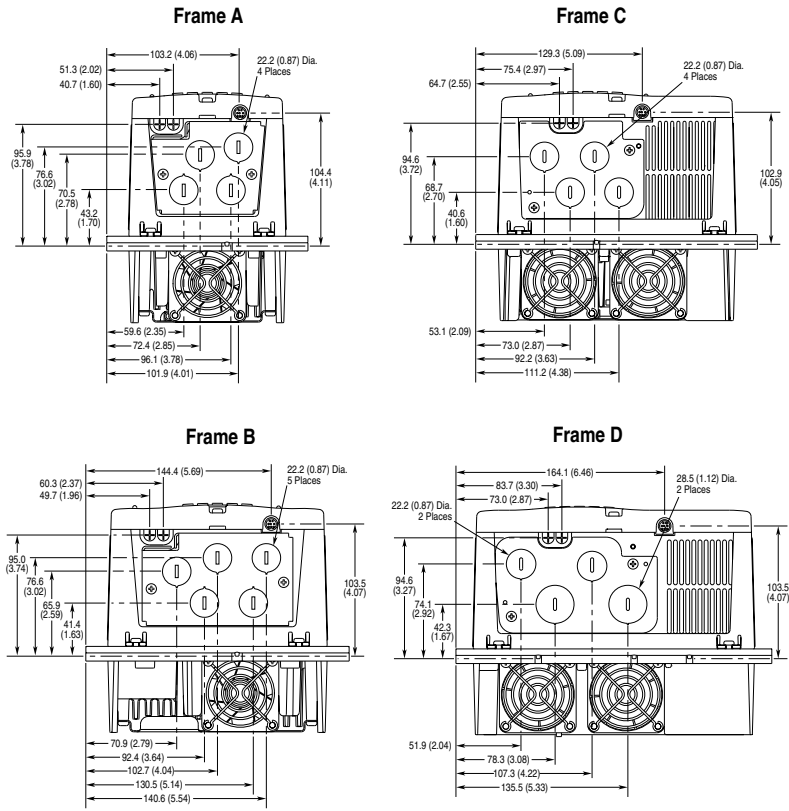


Figure A.5 PowerFlex 70 IP 66 (NEMA Type 4X/12) Bottom View Dimensions



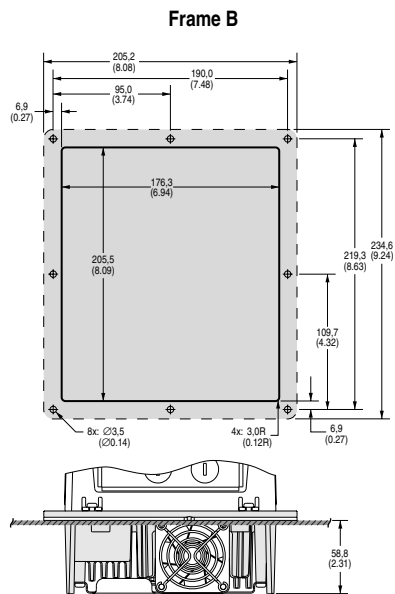
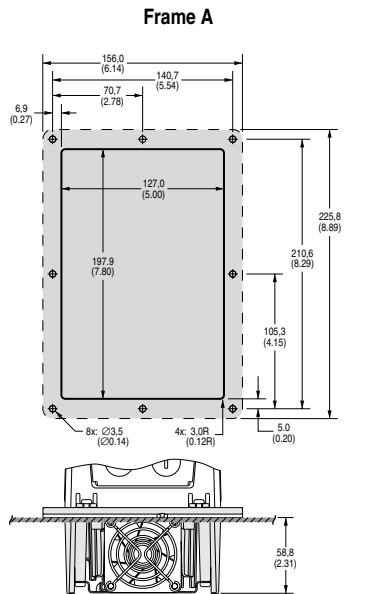
Dimensions are in millimeters and (inches).

Figure A.6 PowerFlex 70 Flange Mount Bottom View Dimensions

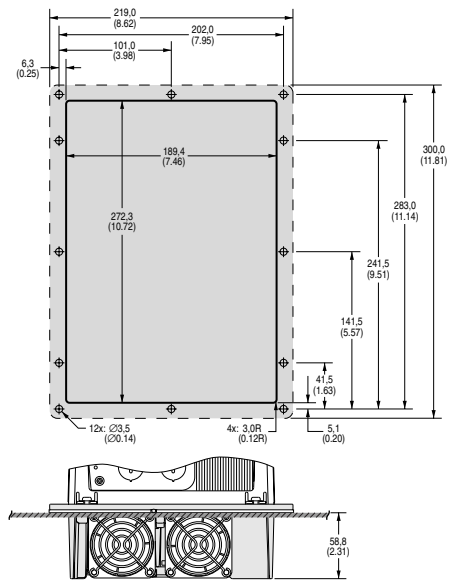


Dimensions are in millimeters and (inches).

Figure A.7 PowerFlex 70 Cutout Dimensions



Frame C



Frame D

