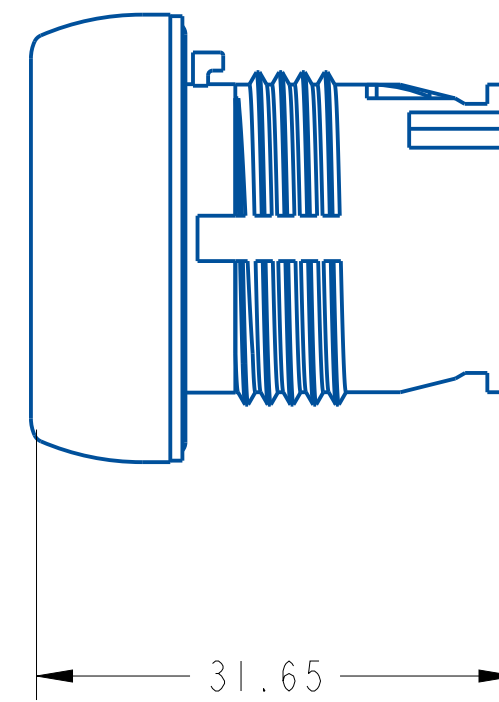
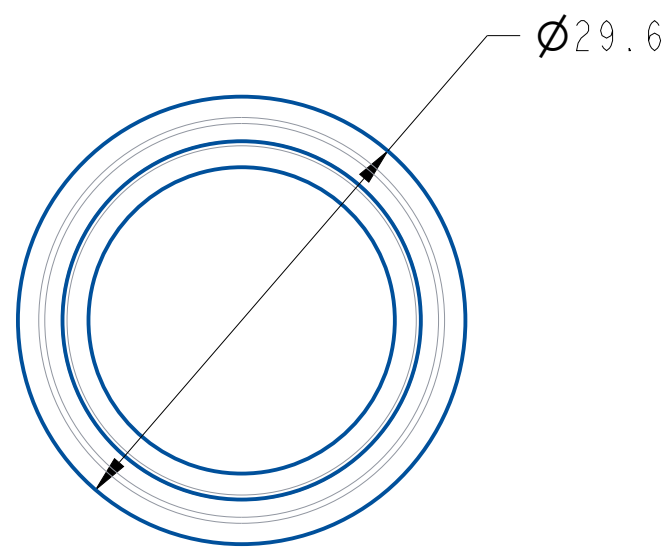


3D VIEW



FRONT VIEW

*ALL DIMENSIONS
ARE IN MM

ALL UNDIMENSIONED GEOMETRIES
ARE CONTROLLED BY THE CAD
MODEL. IN CASE OF DIMENSION
DISCREPANCY, CAD MODEL
OVERRIDES.

THIRD ANGLE PROJECTION

