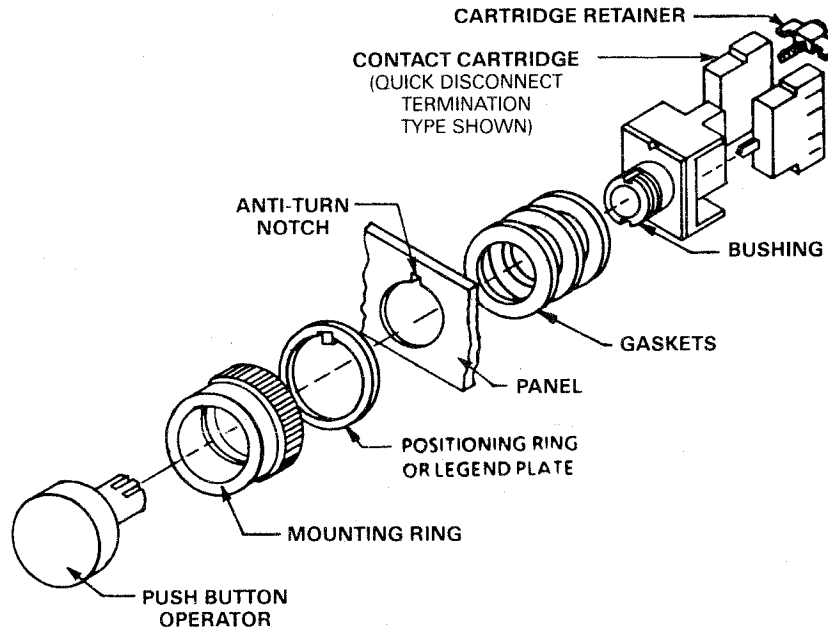


### Repair Parts for Bulletin 800MR Operators



#### Pushbutton Operators

800MR non-illuminated pushbutton unit is pictured above, the drawing is for illustration only. The exact size and dimensions of the 800MR operator will vary depending upon the exact catalog number used. The **Bushing, Cartridge Retainer** and **Cartridge Retainer Screw** are not available for sale as a repair parts. **Legend Plates** are available separately (see page 5).

Catalog Number	Description	Pushbutton Operator	Mounting Ring	Positioning Ring	Black Gasket <sup>1</sup>	Red Gasket <sup>1</sup>
800MR-A***	Flush Head Pushbutton	See table	40167-208-02	40167-133-02	40167-027-01	40167-120-01
800MR-B***	Extended Head Pushbutton	See table	40167-208-02	40167-133-02	40167-027-01	40167-120-01
800MR-D***	Mushroom Head Pushbutton	See table	Not Available <sup>2</sup>	40167-133-02	40167-027-01	40167-120-01
800MR-DG***	Guarded Mushroom Head	See table	Not Available <sup>2</sup>	40167-133-02	40167-027-01	40167-120-01
800MR-FX****	Non-Illum. Push Pull Device	See table	Not Available	40167-133-02	40167-027-01	40167-120-01
800MR-FXN**	Non-Illum. Push-Pull Device	See table	Not Available	40167-133-02	40167-027-01	40167-120-01
800MR-FXT**	Non-Illum. Push-Pull/Twist	See table	40167-208-02	40167-133-02	40167-027-01	40167-120-01
800MR-G**	Guarded Extended Head Pushbutton	See table	800MR-N4	40167-133-02	40167-027-01	40167-120-01
800MR-H, -J, or -N	Selector Switch	See page 3	Not Available	40167-133-02	40167-027-01	40167-120-01
800MR-M1**	Wobble Stick	See table	40167-133-02 and 40167-287-02	40167-133-02	40167-027-01	40167-120-01

<sup>1</sup> Each 800MR unit includes three black gaskets and two red gaskets. Depending upon panel thickness not all are required to install the switch.

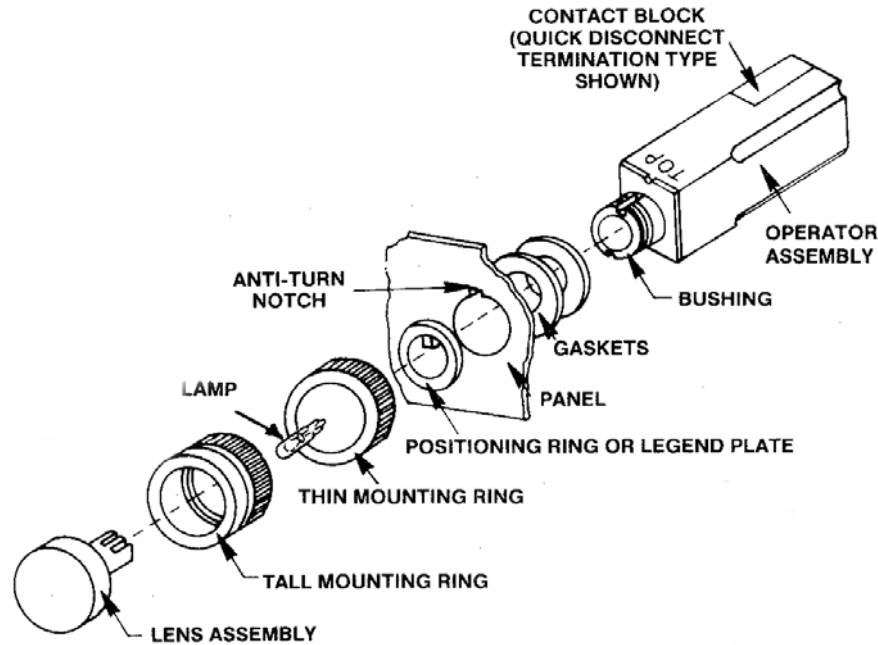
<sup>2</sup> Mounting Ring is included in the replacement color cap repair part number, see table below.

**Replacement Color Caps** (pushbutton operator). See page 3 for **Selector Switch Replacement Knobs and Replacement Lamps**.

#### Catalog Number Starting With....

Color	800MR-A***	800MR-B*** 800MR-G***	800MR-D***	800MR-DG	800MR-FX****, 800MR-FXN***	800MR-FXT**	800MR-M**
<b>Green</b>	800MR-N41	800MR-N21	800MR-N56G	800MR-N129G	800MR-N160B	800MR-N30B	Not Available
<b>Black</b>	800MR-N42	800MR-N22	800MR-N56B	800MR-N129B	800MR-N160H	800MR-N30H	Not Available
<b>Orange</b>	800MR-N43	800MR-N23	800MR-N56O	800MR-N129O	800MR-N160F	800MR-N30F	Not Available
<b>Gray</b>	800MR-N44	800MR-N24	800MR-N56GR	800MR-N129GR	800MR-N160G	Not Available	Not Available
<b>White</b>	800MR-N45	800MR-N25	800MR-N56W	800MR-N129W	800MR-N160J	Not Available	Not Available
<b>Red</b>	800MR-N46	800MR-N26	800MR-N56R	800MR-N129R	800MR-N160A	800MR-N30A	Not Available
<b>Blue</b>	800MR-N47	800MR-N27	800MR-N56BL	800MR-N129BL	800MR-N160C	800MR-N30C	Not Available
<b>Yellow</b>	800MR-N49	800MR-N29	800MR-N56Y	800MR-N129Y	800MR-N160E	800MR-N30E	Not Available

### Repair Parts for Bulletin 800MR Operators



#### Illuminated Pushbuttons, Push-Pull Switches, Selector Switches and Pilot Lights

800MR illuminated pushbutton unit is pictured above, the drawing is for illustration only. The exact size and dimensions of the 800MR operator will vary depending upon the exact catalog number used. The **Bushing** and **Operator Assembly** are not available as repair parts. **Legend Plates** are available separately (see page 5). Each 800MR unit includes three black gaskets and two red gaskets. Depending upon panel thickness not all gaskets are required to install the switch. Black gasket part number is 40167-027-01; red gasket part number is 40167-120-01. **Cartridge Retainer** (not pictured) is available as part number 40167-374-01 and **Cartridge Retainer Screw** is available as part number 28182-601-09.

Catalog Number Starting with.....	Description	Tall Mounting Ring	Thin Mounting Ring	Positioning Ring
800MR-**H**	Illum. 2 Position Selector Switch	Not Available	Not Used	40167-133-02
800MR-**J**	Illum. 3 Position Selector Switch	Not Available	Not Used	40167-133-02
800MR-FXP*** 800MR-FXQ***	Illum. 2 position Push Pull Device	Not Available	Not Used	40167-133-02
800MR-FXNP*** 800MR-FXNQ***	Illum. 3 position Push-Pull Device	Not Available	Not Used	40167-133-02
800MR-FXTP*** 800MR-FXTQ***	Illum. 2 position Push-Pull/Twist Device	40167-208-02	Not Used	40167-133-02
800MR-P***	Pilot Light Transformer Unit	Not Available	40167-287-02	40167-133-02
800MR-PA**	Illum. Pushbutton Flush Head	800MR-N4	40167-287-02	40167-133-02
800MR-PB**	Illum. Pushbutton Extended Head	Not Available	40167-287-02	40167-133-02
800MR-PF	Illum. Pushbutton True Flush	Not Available	40167-287-02 <sup>1</sup>	40167-133-02
800MR-PGA	Illum. Guarded Flush Head	800MR-N93	40167-287-02	40167-133-02
800MR-PD**	Dual Input Pilot Light	Not Available	40167-287-02	40167-133-02
800MR-PMB**	Illum. Mushroom Head Pushbutton	Not Available <sup>2</sup>	40167-287-02	40167-133-02
800MR-PT***	Push-to-Test Pilot Light	Not Available	40167-287-02	40167-133-02
800MR-Q***	Pilot Light Full Voltage Unit	Not Available	40167-287-02	40167-133-02
800MR-QA**	Illum. Pushbutton Flush Head	800MR-N4	40167-287-02	40167-133-02
800MR-QB**	Illum. Pushbutton Extended Head	Not Available	40167-287-02	40167-133-02
800MR-QF	Illum. Pushbutton True Flush	Not Available	40167-287-02 <sup>1</sup>	40167-133-02
800MR-QGA	Illum. Guarded Flush Head	800MR-N93	40167-287-02	40167-133-02
800MR-QMB**	Illum. Mushroom Head Pushbutton	Not Available <sup>2</sup>	40167-287-02	40167-133-02
800MR-QT***	Push-to-Test Pilot Light	Not Available	40167-287-02	40167-133-02

<sup>1</sup> Requires two thin mounting rings.

<sup>2</sup> Mounting Ring is included in the replacement color cap repair part number, see table on page 3.

See page 3 for **Replacement Contact Blocks, Color Caps, Selector Switch Knobs and Levers, Incandescent and LED Lamps**.  
See page 6 for **Replacement Keys used on Cylinder Lock Selector Switches**.

## Repair Parts for Bulletin 800MR Operators

## Replacement Color Caps for Illuminated Pushbuttons, Pilot Lights, Push-Pull, Push-Pull/Twist Operators

## Catalog Number Starting with....

Cap Color	800MR-P*** 800MR-PD** 800MR-PT** 800MR-Q** 800MR-QT**	800MR-PA**, 800MR-PB**, 800MR-PF**, 800MR-PGA**, 800MR-QA*, 800MR-QB*, 800MR-QF*, 800MR-QGA*	800MR-FXP*** 800MR-FXNP*** 800MR-FXQ*** 800MR-FXNQ***	800MR-PMB 800MR-QMB	800MR-FXTP*, 800MR-FXTQ*
Red	800MR-N1R	800MR-N2R	800MR-N159R	800MR-N156R <sup>1</sup>	800MR-N20R
Green	800MR-N1G	800MR-N2G	800MR-N159G	800MR-N156G <sup>1</sup>	800MR-N20G
Amber	800MR-N1A	800MR-N2A	800MR-N159A	800MR-N156A <sup>1</sup>	800MR-N20A
Blue	800MR-N1B	800MR-N2B	800MR-N159B	800MR-N156B <sup>1</sup>	800MR-N20B
White	800MR-N1W	800MR-N2W	800MR-N159W	800MR-N156W <sup>1</sup>	Not Available
Clear	800MR-N1C	800MR-N2C	800MR-N159C	800MR-N156C <sup>1</sup>	800MR-N20C

<sup>1</sup> Mounting Ring is included in the replacement color cap repair part number.

## Replacement Selector Switch Knobs and Non-Illuminated Momentary Pushbutton Metal Extended Color Caps

	Non-Illuminated Selector Switch	Non-Illuminated Selector Switch		Illuminated Selector Switch	Illuminated Selector Switch	Non-Illuminated Momentary Aluminum Cap	
	Standard Knob	Knob Lever	Color	Standard Knob	Knob Lever	Color	Extended Head
Gray	800M-NG	800M-NT	Red	800M-LA	800M-LL	Red	800MR-N360R
Red	800M-NA	800M-NL	Amber	800M-LD	800M-LP	Black	800MR-N360B
Green	800M-NB	800M-NM	Clear	800M-LY	800M-LZ	Yellow	800MR-N360Y
Blue	800M-NC	800M-NN	Green	800M-LB	800M-LM	Blue	800MR-N360BL
Yellow	800M-NE	800M-NR				Clear	800MR-N360C
Orange	800M-NF	800M-NS				Green	800MR-N360G
Black	800M-NH	800M-NK				Used on 800MR-NX74 and other products	
White	800M-LJ	800M-NV					

## Replacement Incandescent and LED Lamps

Lamp Type	Power Module Type	Lamp Voltage	Current Draw	ANSI Number	Catalog Number
Incandescent	Full Voltage and Transformer	6.3V	195ma	86	800M-N15
Incandescent	Full Voltage	12V AC/DC	73ma	73	800M-N16
Incandescent	Full Voltage	24V AC/DC	37ma	85	800M-N17
Incandescent	Dual-Input Diode	24V AC/DC	57ma	24 MB	800T-N180
Incandescent	Dual-Input Diode	130V AC/DC	22ma	949	800T-N169
Incandescent	Dual Input Transf	6.3V	150ma	755	800T-N65
LED	Full Voltage	6.3V AC	45ma	None	800T-N60x <sup>1</sup>
LED	Full Voltage	12V AC/DC	36ma	None	800T-N61x <sup>1</sup>
LED	Full Voltage	24V AC/DC	18ma	None	800T-N62x <sup>1</sup>
LED	Full Voltage	120V AC only	8ma	None	800T-N64x <sup>1</sup>
LED	Transformer	6.3V AC	45ma	None	800T-N60x <sup>1</sup>

<sup>1</sup> To complete the catalog number replace the x with the first letter of the desired color: Amber, Green, Red, White or Blue.

## Replacement Contact Blocks

Quick connect contact blocks will accept two 0.110" x 0.032" push-on connectors or one 0.250" x 0.032" connector. Contact blocks with Small Screw Terminals with pressure plate will accept a maximum of one #14 AWG wire or two #16 AWG wires. Contact blocks with Large Screw Terminals with pressure plate will accept a maximum of two #12 AWG wire. Standard Contact Blocks carry a NEMA rating of A300. Logic Reed Contact Blocks carry a maximum of rating of 150V AC, 0.15A, 8VA and 30V DC, 0.06A, 1.8VA and only should be used with resistive loads. Contact Blocks cannot be stacked onto each other.

Contact Arrangement	Standard Block			Logic Reed Block
	Quick Connect Terminals	Small Screw Terminals with Pressure Plates	Large Screw Terminals with Pressure Plates	Quick Connect Terminals
1 N.O.	800M-XD1	800M-XD1S	800M-XD1K	800M-XD1R
1 N.C.	800M-XD2	800M-XD2S	800M-XD2K	800M-XD2R
1 N.O. – 1 N.C.	800M-XA	800M-XAS	800M-XAK	800M-XAR
2 N.O.	800M-XA2	800M-XA2S	800M-XA2K	800M-XA2R
2 N.C.	800M-XA4	800M-XA4S	800M-XA4K	800M-XA4R
1 N.O. (Early Make) – 1 N.C. (Late Break)	800M-XA3	800M-XA3S	800M-XA3K	Not Available
1 N.C. (Late Break) – 1 N.C.	800M-XA7	800M-XA7S	800M-XA7K	Not Available



### Repair Parts for Bulletin 800MR Operators

#### Legend Plates (standard size – gray background with white lettering)

Cat. No.	Marking	Cat. No.	Marking	Cat. No.	Marking
800MR-W00	No Engraving	800MR-W18	Slow	800MR-W56	Left-Right
800MR-W01	Close	800MR-W19	Start	800MR-W57	Open-Close
800MR-W02	Down	800MR-W20	Stop	800MR-W58	Raise-Lower
800MR-W03	Fast	800MR-W21	Test	800MR-W59	Run-Jog
800MR-W04	High	800MR-W22	Up	800MR-W60	Safe-Run
800MR-W05	Low	800MR-W23	Forward	800MR-W61	Slow-Fast
800MR-W06	In	800MR-W24	Emerg Stop	800MR-W62	Start-Jog
800MR-W07	Inch	800MR-W25	1 <sup>st</sup> Speed	800MR-W63	Start-Stop
800MR-W08	Jog	800MR-W26	2 <sup>nd</sup> Speed	800MR-W64	Stop-Start
800MR-W09	Off	800MR-W27	3 <sup>rd</sup> Speed	800MR-W65	Sum-Wint
800MR-W10	On	800MR-W28	4 <sup>th</sup> Speed	800MR-W66	Up-Down
800MR-W11	Lower	800MR-W29	Push To Test	800MR-W75	Slow-Off-Fast
800MR-W12	Out	800MR-W50	Off-On	800MR-W76	Jog-Stop-Run
800MR-W13	Open	800MR-W51	For-Rev	800MR-W77	For-Off-Rev
800MR-W14	Raise	800MR-W52	Hand-Auto	800MR-W78	Hand-Off-Auto
800MR-W15	Reset	800MR-W53	High-Low	800MR-W79	Auto-Off-Hand
800MR-W16	Rev	800MR-W54	Jog-Rev	800MR-W80	1-2-3-4
800MR-W17	Run	800MR-W55	Jog-Run	800MR-W130	Push Stop – Pull Start

#### Legend Plates (large size – gray background with white lettering)

Cat. No.	Marking	Cat. No.	Marking	Cat. No.	Marking
800MR-W100	No Engraving	800MR-W118	Slow	800MR-W156	Left-Right
800MR-W101	Close	800MR-W119	Start	800MR-W157	Open-Close
800MR-W102	Down	800MR-W120	Stop	800MR-W158	Raise-Lower
800MR-W103	Fast	800MR-W121	Test	800MR-W159	Run-Jog
800MR-W104	High	800MR-W122	Up	800MR-W160	Safe-Run
800MR-W105	Low	800MR-W123	Forward	800MR-W161	Slow-Fast
800MR-W106	In	800MR-W124	Emerg Stop	800MR-W162	Start-Jog
800MR-W107	Inch	800MR-W125	1 <sup>st</sup> Speed	800MR-W163	Start-Stop
800MR-W108	Jog	800MR-W126	2 <sup>nd</sup> Speed	800MR-W164	Stop-Start
800MR-W109	Off	800MR-W127	3 <sup>rd</sup> Speed	800MR-W165	Sum-Wint
800MR-W110	On	800MR-W128	4 <sup>th</sup> Speed	800MR-W166	Up-Down
800MR-W111	Lower	800MR-W129	Push To Test	800MR-W175	Slow-Off-Fast
800MR-W112	Out	800MR-W150	Off-On	800MR-W176	Jog-Stop-Run
800MR-W113	Open	800MR-W151	For-Rev	800MR-W177	For-Off-Rev
800MR-W114	Raise	800MR-W152	Hand-Auto	800MR-W178	Hand-Off-Auto
800MR-W115	Reset	800MR-W153	High-Low	800MR-W179	Auto-Off-Hand
800MR-W116	Rev	800MR-W154	Jog-Rev	800MR-W180	1-2-3-4
800MR-W117	Run	800MR-W155	Jog-Run		

#### Legend Plates (red background with white lettering)

Cat. No.	Marking	Cat. No.	Marking	Cat. No.	Marking
800MR-W624 (std. Size)	Emerg Stop	800MR-W620 (std. Size)	Stop	800MR-W600 (std. Size)	No Engraving
800MR-W6124 (large)	Emerg Stop	800MR-W6120 (large)	Stop	800MR-W6100 (large size)	No Engraving

#### Misc Accessories

Description	Catalog or Part Number
Extended Mounting Ring	800MR-N4
Locking Ring Wrench	800MR-N3
Closing Button (22.5mm hole)	800M-N1
Lamp Remover	800M-N5
Contact Block Connectors (7/64" x 1/32" connector for 18-22 AWG wire)	800M-NT2
Guard for Illuminated Push Buttons	800MR-N93
Lens Remover	800MS-N9
Replacement Screw used on Contact Blocks with Large Screw Terminations	Not Available
Black Silicone Rubber Boot for Push Buttons	800MR-N8
Red Silicone Rubber Boot for Push Buttons	800MR-N9
Green Silicone Rubber Boot for Push Buttons	800MR-N10
Blue Silicone Rubber Boot for Push Buttons	800MR-N11
Yellow Silicone Rubber Boot for Push Buttons	800MR-N12
Clear Silicone Rubber Boot for Push Buttons	800MR-N14

### Repair Parts for Bulletin 800MR Operators

#### Replacement Keys for Cylinder Lock Selector Switches (see catalog number explanation example)

<u>800MR-</u>	<u>H31</u>	<u>**</u>	Examples: 800MR-H31B indicates key number T100 800MR-H31 <b>02</b> B indicates key number T101
Operator	Cylinder Lock	Key Option Code	
Function			

AB Cylinder Lock Key Option Code	Mfg's Key Number	AB Key Number
Blank (standard key)	T100 (standard key)	40167-308-05
02	T101	40167-308-06
03	T102	40167-308-07
04	T106	40167-308-08
05	T107	40167-308-09
06	T108	Not Available
07	T109	40167-308-11
08	T134	40167-308-12
09	T135	40167-308-13
10	T136	40167-308-14
11	T142	40167-308-15
12	T145	Not Available
13	T146	40167-308-17

AB Cylinder Lock Key Option Code	Mfg's Key Number	AB Key Number
14	T147	40167-308-18
15	T152	40167-308-19
16	T196	Not Available
17	T221	Not Available
18	T224	Not Available
19	T231	Not Available
20	T234	Not Available
21	T265	Not Available
22	T267	Not Available
23	T268	Not Available

**Master Key Repair Part Numbers:** Master Key For Keys T101 Thru T108 is 40167-308-03, T109 Thru T267 is 40167-308-04.