

800F Enclosed E-Stop Stations



Quick Installation for GuardLink and SensaGuard Applications

Features and Benefits

- Pre-wired for quick connect with 5- or 8-pin SensaGuard™ switches and 5-pin EMSS GuardLink enabled tap
- Pre-tested and factory sealed for time savings on wiring and set-up
- Illuminated when activated for ease and speed of identification
- External mounting feet for faster installation
- Self-monitoring contact block for increased safety
- Maintains PLe, Cat 4, SIL 3 rating
- Flexibility to use in non-SensaGuard wired illuminated E-stop series



GuardLink is a safety-based communications protocol that links safety to The Connected Enterprise. Allen-Bradley® Guardmaster® smart safety devices featuring GuardLink technology deliver information, advanced functionality and flexibility, while enhancing safety and increasing efficiency machine- and plant-wide.

Pre-configured wiring for easy installation in GuardLink and SensaGuard applications



When it comes to machine safety, Rockwell Automation knows that protection of personnel and equipment is your main concern. At the same time, flexibility and productivity are points that must also be considered as you design your safety system. Optimize all these with the Allen-Bradley® Bulletin 800F E-stop push button stations pre-wired for use with the GuardLink enabled taps and the SensaGuard™ family of non-contact safety switches.

The pre-wired 800F E-stop push button stations allow for quick installation with the 5-pin EMSS GuardLink enabled tap and the 5- and 8-pin SensaGuard switches. The combination allows for flexibility of configurations to meet your application needs. The PLe, Cat 4, SIL 3 rating is maintained in both GuardLink and SensaGuard series connections.



Bulletin 440N SensaGuard Non-Contact Switches

Ideal for sliding, hinged or lift off machine guard doors, non-contact switches offer simple setup and alignment, less mechanical wear and fully-sealed IP67 housings. They include:

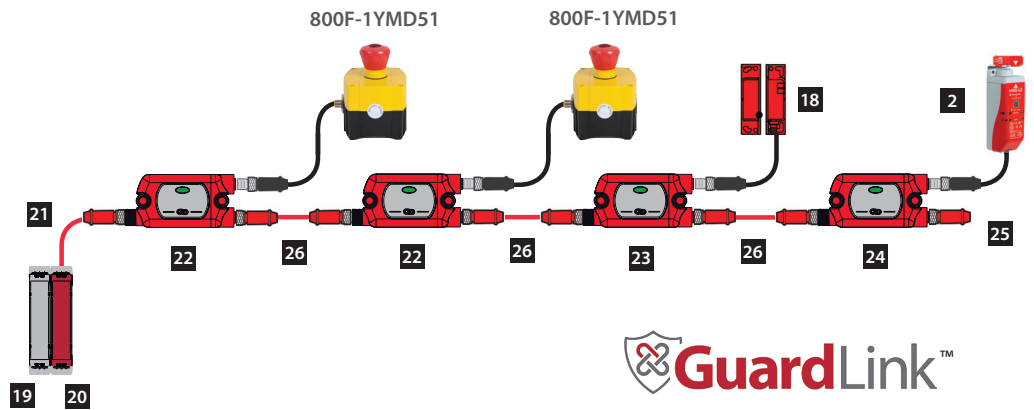
- RFID-coded switches (standard and unique coding)
- Plastic or metal housings

Application Configurations

The following are several possible wiring configurations utilizing the 5- and 8-pin 800F enclosed E-stop stations with the GuardLink and SensaGuard product lines:

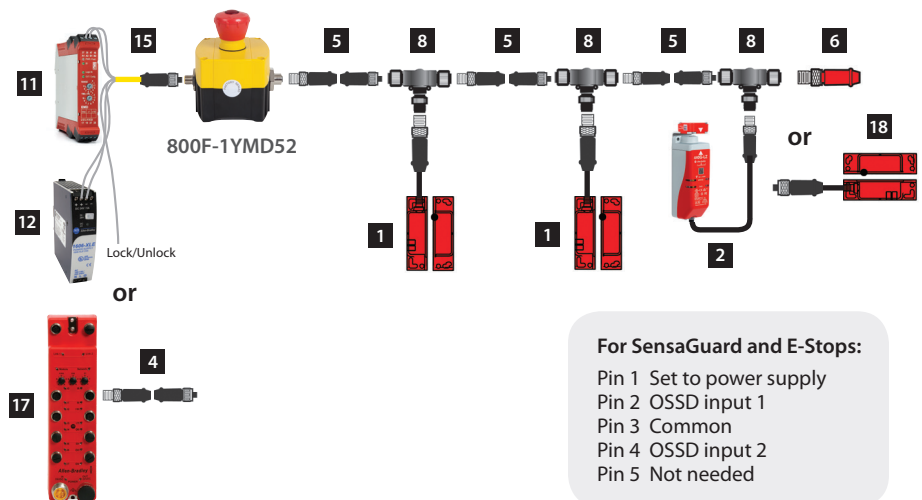
800F-1YMD51

- For use with GuardLink enabled taps
- Illuminated when activated
- 2 N.C. circuits (safety)
- 24V AC/DC
- External panel mounting holes



800F-1YMD52

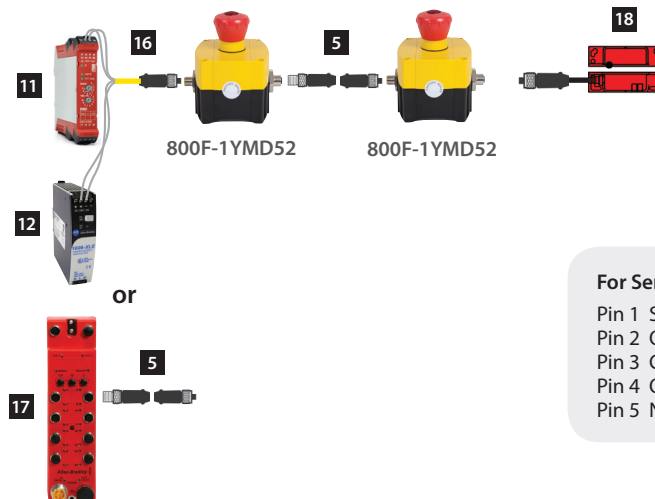
- For use with 5-pin SensaGuard or 8-pin 440G-LZ and TLS-Z Guard Locking Switches with t-ports
- Illuminated when activated
- 2 N.C. circuits (safety)
- 1 N.O. circuit (illumination)
- 24V AC/DC
- External panel mounting holes



For SensaGuard and E-Stops:
 Pin 1 Set to power supply
 Pin 2 OSSD input 1
 Pin 3 Common
 Pin 4 OSSD input 2
 Pin 5 Not needed

800F-1YMD52

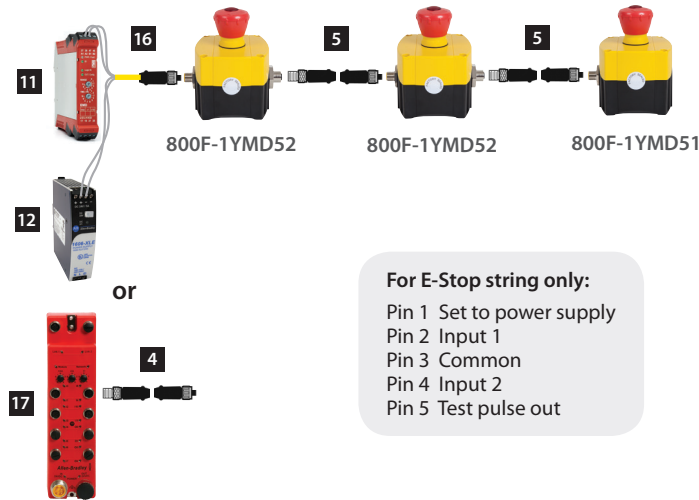
- Illuminated when activated
- 2 N.C. circuits (safety)
- 1 N.O. circuit (illumination)
- 24V AC/DC
- External panel mounting holes



For SensaGuard and E-Stops:
 Pin 1 Set to power supply
 Pin 2 OSSD input 1
 Pin 3 Common
 Pin 4 OSSD input 2
 Pin 5 Not needed

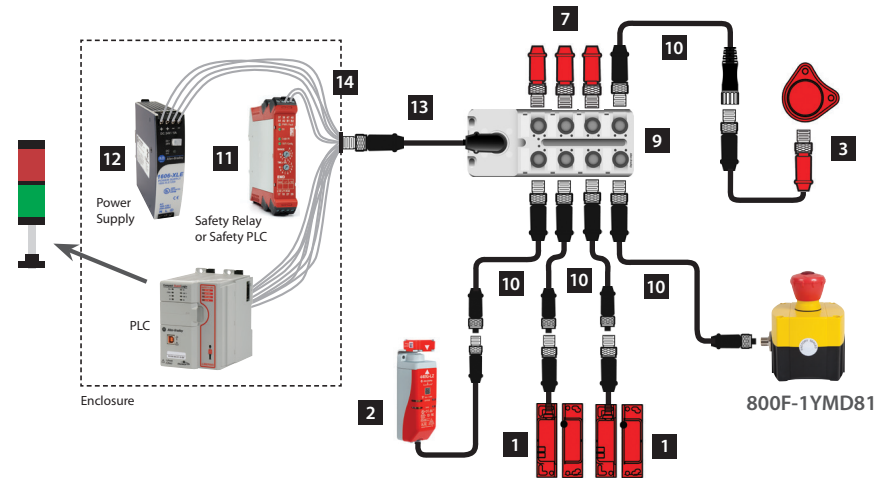
800F-1YMD52/800F-1YMD51

- Non SensaGuard application
- For 5-pin series E-Stop applications
- Illuminated when activated
- 2 N.C. circuits (safety)
- 1 N.O. circuit (illumination)
- 24V AC/DC
- External panel mounting holes



800F-1YMD81

- For 8-pin safety distribution boxes
- Illuminated when activated
- 2 N.C. circuits (safety)
- 1 N.O. circuit (illumination)
- 24V AC/DC
- External panel mounting holes



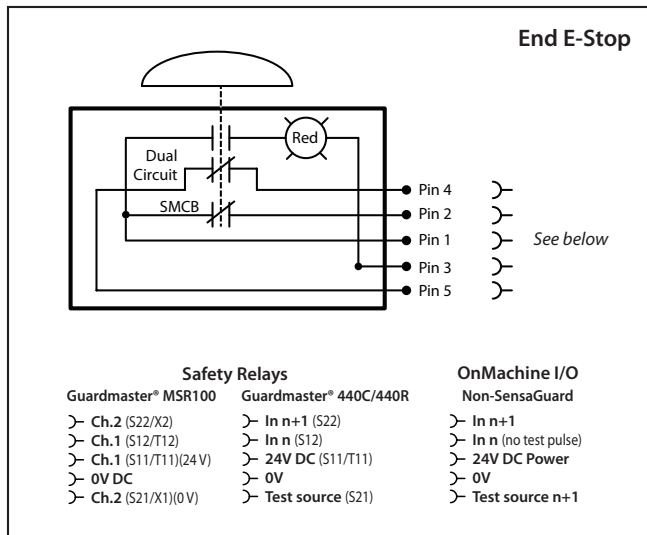
Represented Products

#	Catalog Number	Product Name	Product Description
1	440N-Z21S52HN	SensaGuard	Plastic rectangular, 2 x PNP, 6 in. pigtail, 8-pin micro (M12), margin indication
2	440G-LZS21UPRH	Guard Locking Switch	Solenoid voltage: 24V DC, 2 x PNP, 1 x PNP – RFID unique, 6 in. pigtail with M12 8-pin QD
3	440N-Z21S16H	SensaGuard	18 mm plastic, 2 x PNP, 0.2A, max safety output, 6 in. pigtail, 8-pin micro (M12)
4	889D-F4ACDM-1	Patchcord: DC Micro (M12)	Female, straight, 4 pin, PVC cable, yellow, unshielded, DC micro, male, straight, 1 m
5	889D-F5ACDM-1	Patchcord: DC Micro (M12)	Female, straight, 5 pin, PVC cable, yellow, unshielded, DC micro, male, straight, 1 m
6	898D-418U-DM	Shorting Plug	For use with SensaGuard compatible T-ports only, nickel-plated brass
7	898D-81RU-DM	Shorting Plug	For unused ports on Distribution Blocks
8	898D-438Y-D8	T-Port	Dual channel, for use with SensaGuard switches only
9	898D-P88RT-M19	Safety Wired Distribution Box	8 ports, LED, 10...30V DC, M23 output
10	889D-F8ABDM-1	Patchcord: DC Micro (M12)	Female, straight, 8 pin, PVC cable, black, unshielded, DC micro, male, straight, 1 m
11	440R-S12R2	Guardmaster® Single Input Safety Relay (SI)	1 dual-channel universal input, 1 N.C. solid-state auxiliary output
12	1606-XLP30E	Compact Power Supply	24-28V DC, 30 W, 120/240V AC/85-375V DC input voltage
13	889M-R19PMMM-2	Patchcord: M23	Female, right angle, 19-P, PVC cable, red, unshielded, M23, male, straight, 2 m
14	888M-F19AE-3F	Receptacle: M23	Female, straight, 19 pin, 18AWG, 3 ft
15	889D-F4AC-1	Cordset: DC Micro (M12)	Female, straight, 4 pin, PVC cable, yellow, unshielded, DC micro, 1 m
16	889D-F5AC-1	Cordset: DC Micro (M12)	Female, straight, 5 pin, PVC cable, yellow, unshielded, DC micro, 1 m
17	1732ES-IB12XOB4	EtherNet/IP Safety ArmorBlock® Input Module	12 inputs, 4 solid-state sourcing outputs
18	440N-Z21S52JN	SensaGuard	Plastic rectangular, 2 x PNP, 6-inch pigtail, 5-pin micro (M12), margin indication
19	440R-ENETR	Ethernet Gateway	Guardmaster Ethernet Gateway
20	440R-DG2R2T	Safety Relay	Guardmaster Safety Relay Dual GuardLink Master
21	889D-F4NE-2	Cordset: DC Micro (M12)	Female, straight, 4 pin, PVC cable, red, unshielded, DC micro, 2 m
22	440S-MF5D	GuardLink enabled tap	GuardLink enabled tap for use with 5-pin Electromechanical Safety Devices
23	440S-SF5D	GuardLink enabled tap	GuardLink enabled tap for use with 5-pin Electronic Safety Input Devices
24	440S-SF8D	GuardLink enabled tap	GuardLink enabled tap for use with 8-pin Electronic Safety Input Devices
25	898D-418U-DM2	Terminator	Terminator for last GuardLink enabled tap
26	889D-F4NEDM-1	Patchcord: DC Micro (M12)	Female, straight, 4 pin, PVC cable, red, unshielded, DC micro, male, straight, 1 m

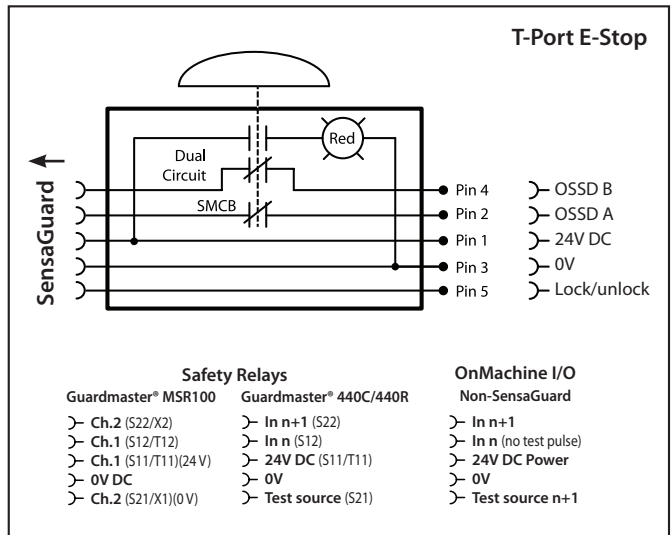
Note: If non-GuardLink enabled Safety Relays are used, at least one SensaGuard or LZ/TL5Z should be the furthest from the safety relay. The SensaGuard/LZ/TL5Z will provide pulse testing through the contacts of the E-Stop for cross fault detection.

Internal Wiring Diagrams

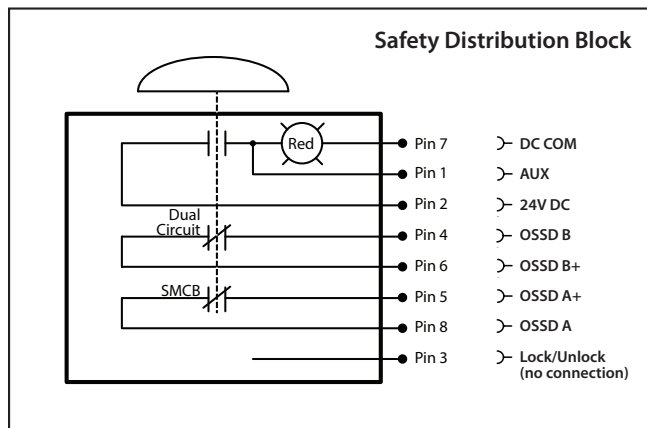
800F-1YMD51



800F-1YMD52



800F-1YMD81



Connect with us.

rockwellautomation.com

expanding human possibility™

Allen-Bradley, ArmorBlock, GuardLink, GuardMaster, Rockwell Software and SensaGuard are trademarks of Rockwell Automation, Inc. Trademarks not belonging to Rockwell Automation are property of their respective companies.

Americas: Rockwell Automation, 1201 South Second Street, Milwaukee, WI 53204-2496 USA, Tel: (1) 414.382.2000, Fax: (1) 414.382.4444

Europe/Middle East/Africa: Rockwell Automation NV, Pegasus Park, De Kleetlaan 12a, 1831 Diegem, Belgium, Tel: (32) 2 663 0600, Fax: (32) 2 663 0640

Asia Pacific: Rockwell Automation, Level 14, Core F, Cyberport 3, 100 Cyberport Road, Hong Kong, Tel: (852) 2887 4788, Fax: (852) 2508 1846

Publication 800F-PP006B-EN-P - May 2019
Supersedes Publication 800F-PP006A-EN-P - February 2017

Copyright © 2019 Rockwell Automation, Inc. All Rights Reserved. Printed in USA.