



Pendant Stations

(Cat 800FC-__ __)



WARNING

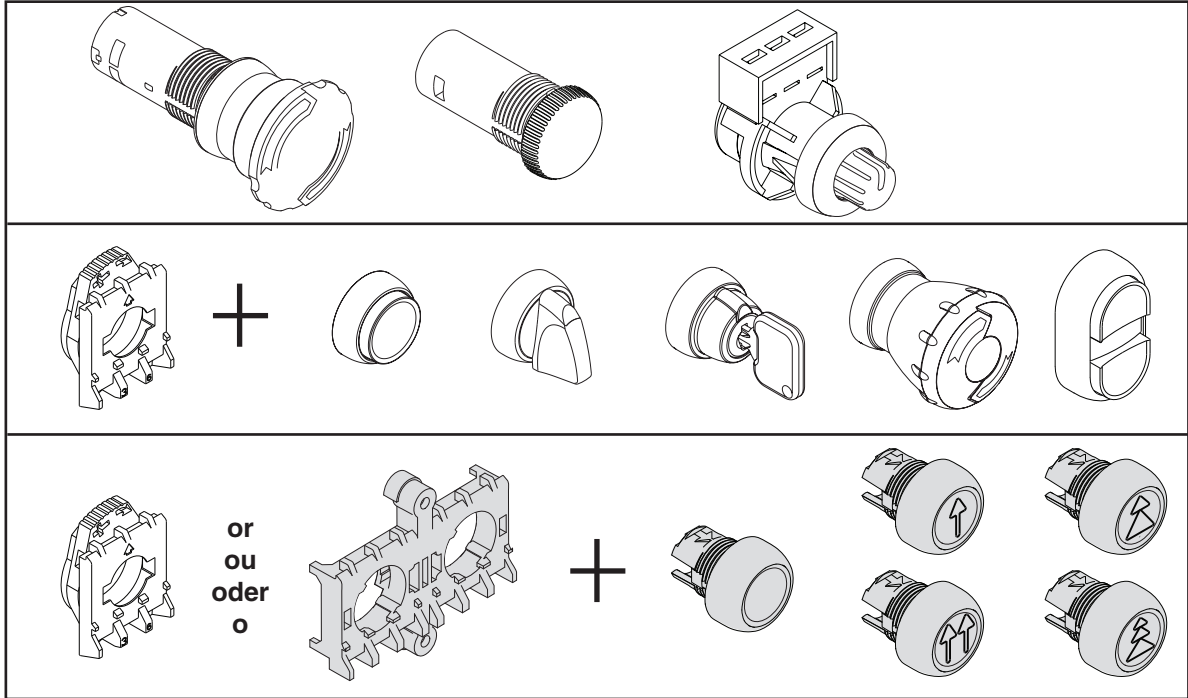
To prevent electrical shock, disconnect from power source before installing or servicing.



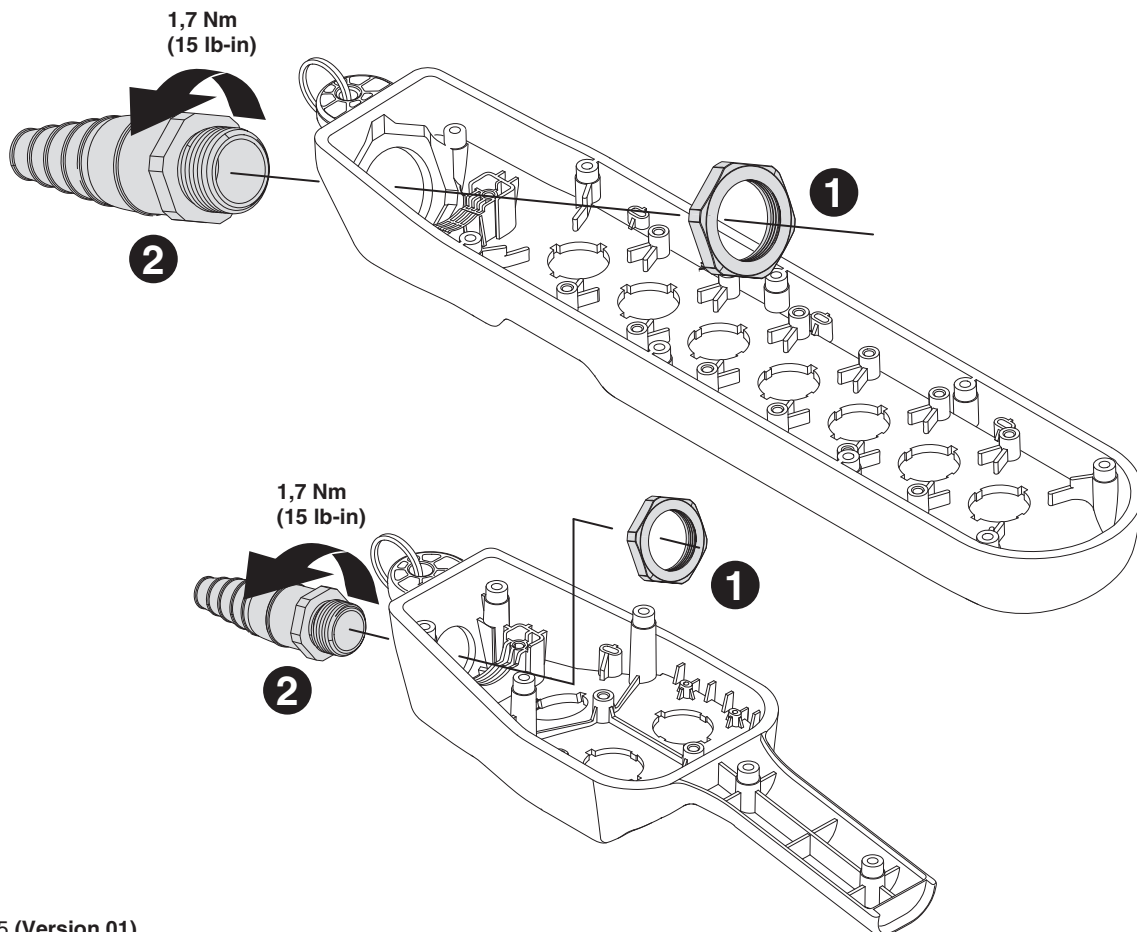
Type 4, 4X, 13, IP66

Environmental ratings are maintained when Recognized or Listed components with same ratings are used.

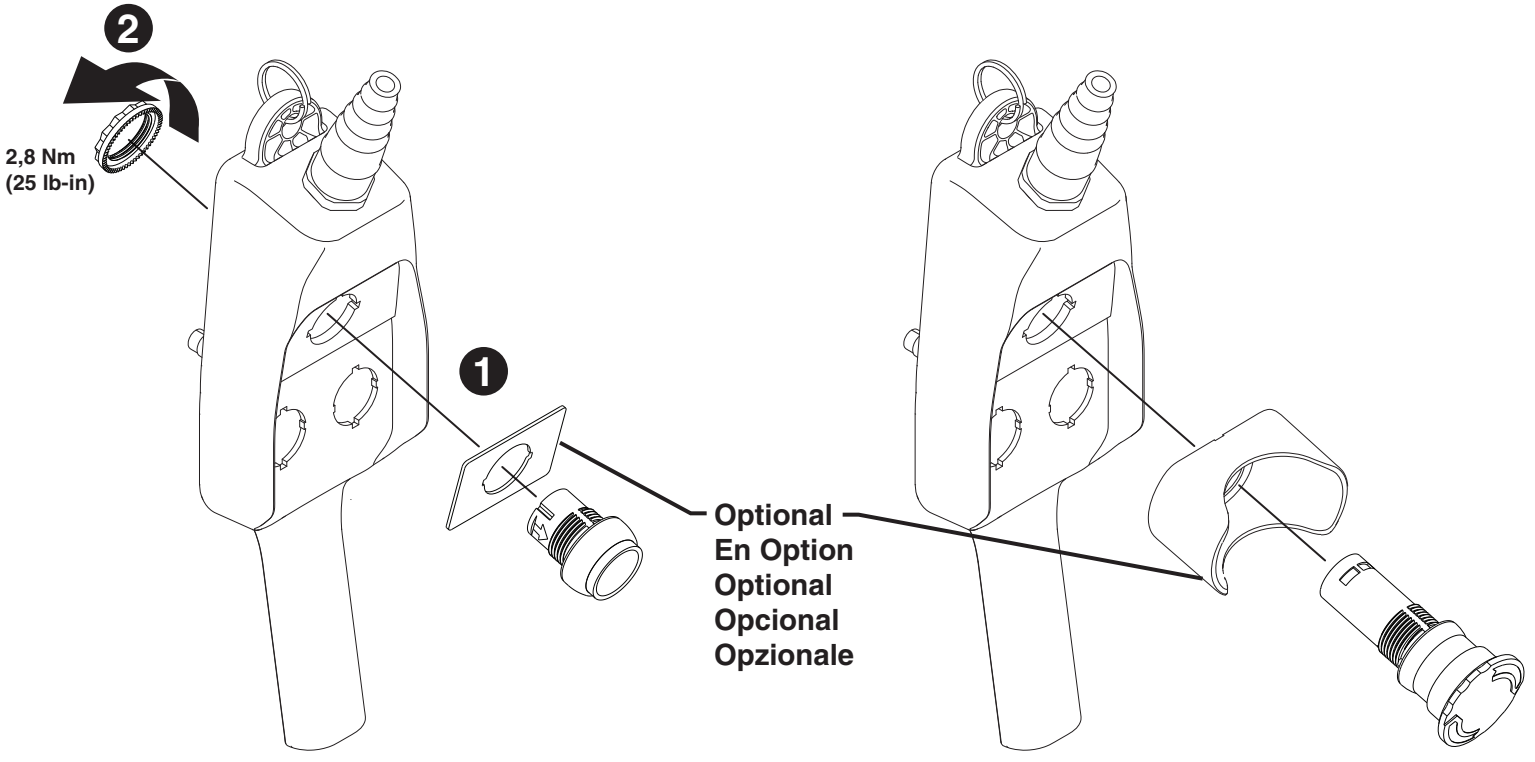
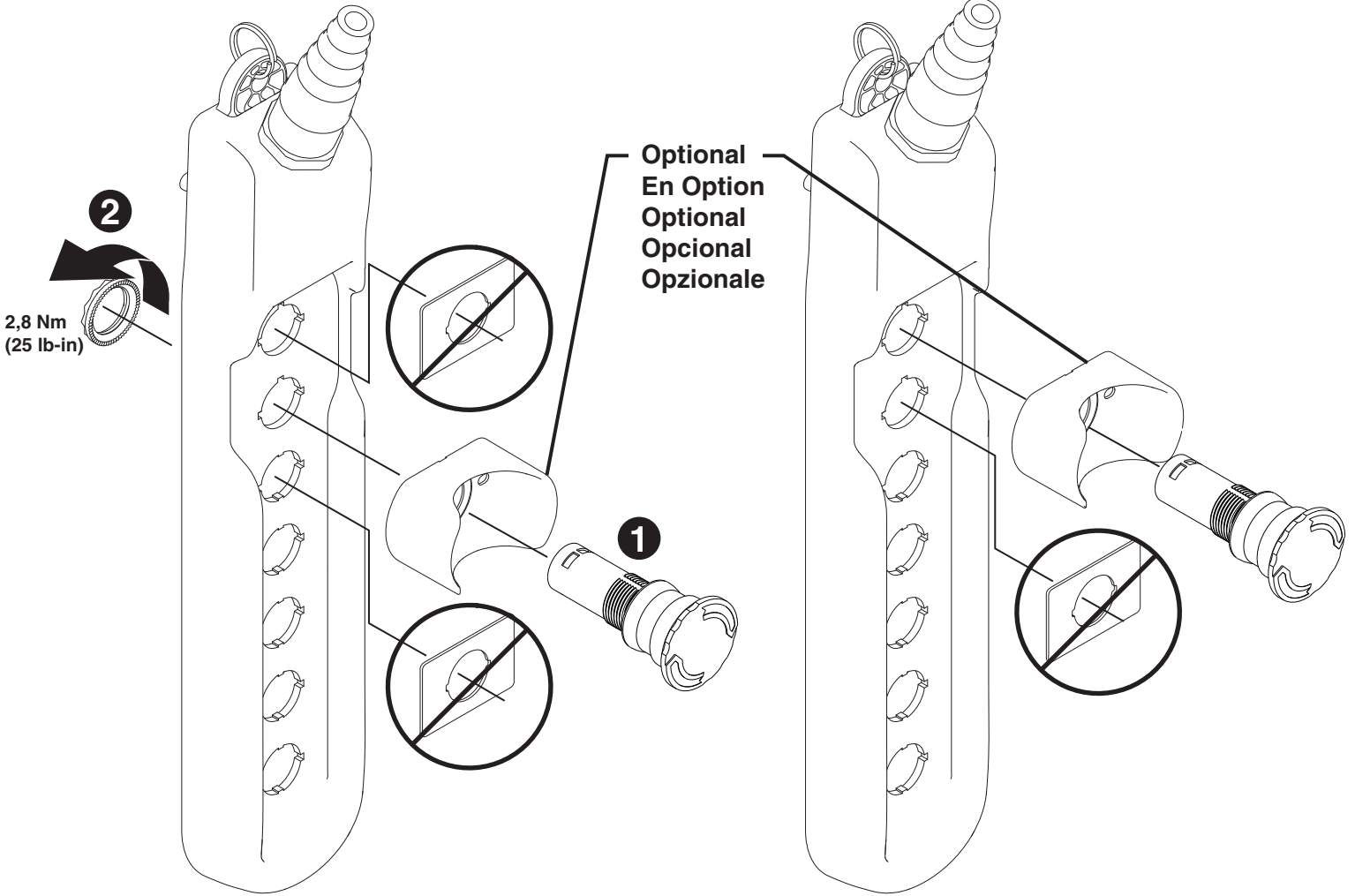
Use UL Listed type S or SJ cords, with a smooth outer jacket rated for wet locations use (marked W) and oil resistant outer covering (marked O) such as SOW or SJOW with copper wire, rated 75 deg C min, 18-12 AWG, overall OD of 7.5 to 15 mm for the small cable sleeve (800FC-AS3) and 9 to 20 mm for the large cable sleeve (800FC-AS5).



1



2



3

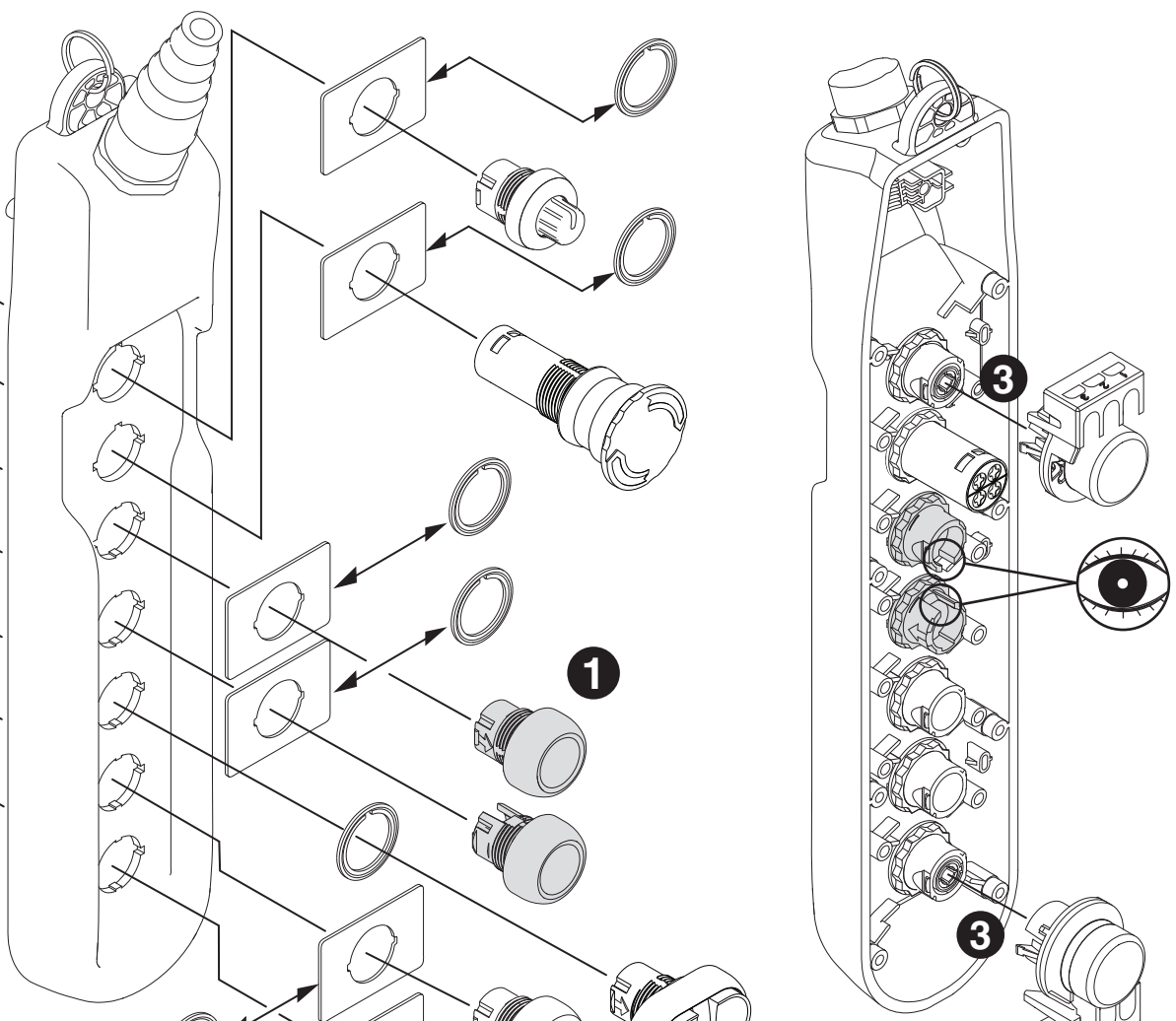
2,8 Nm
(25 lb-in)

2

1

3

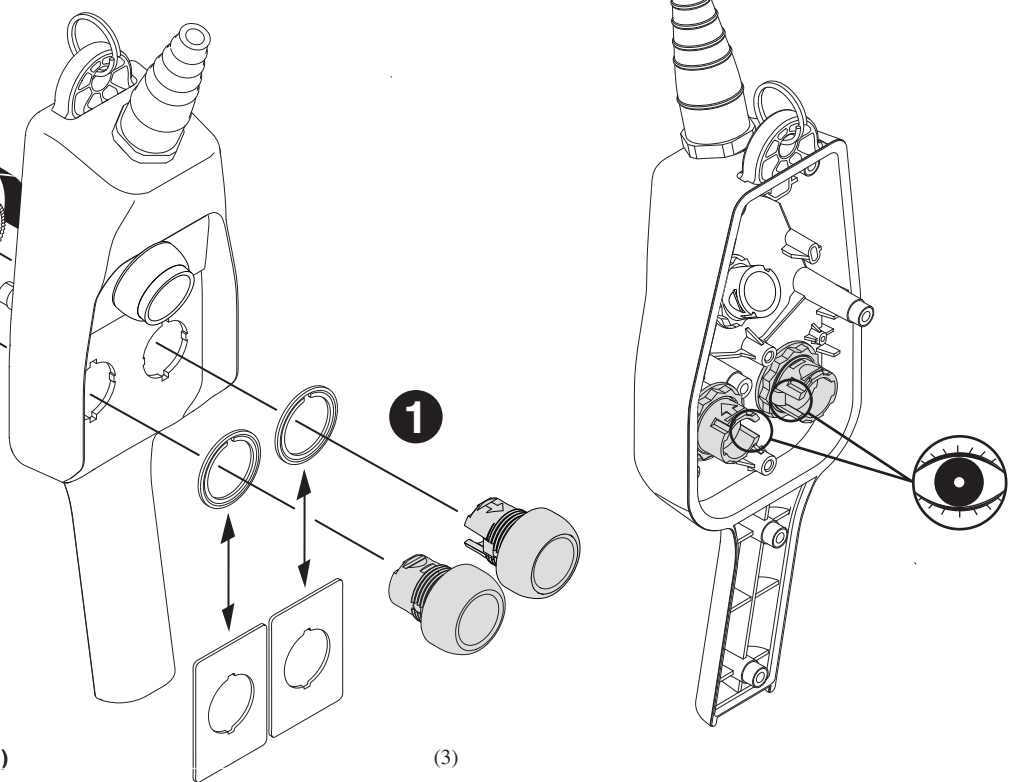
3



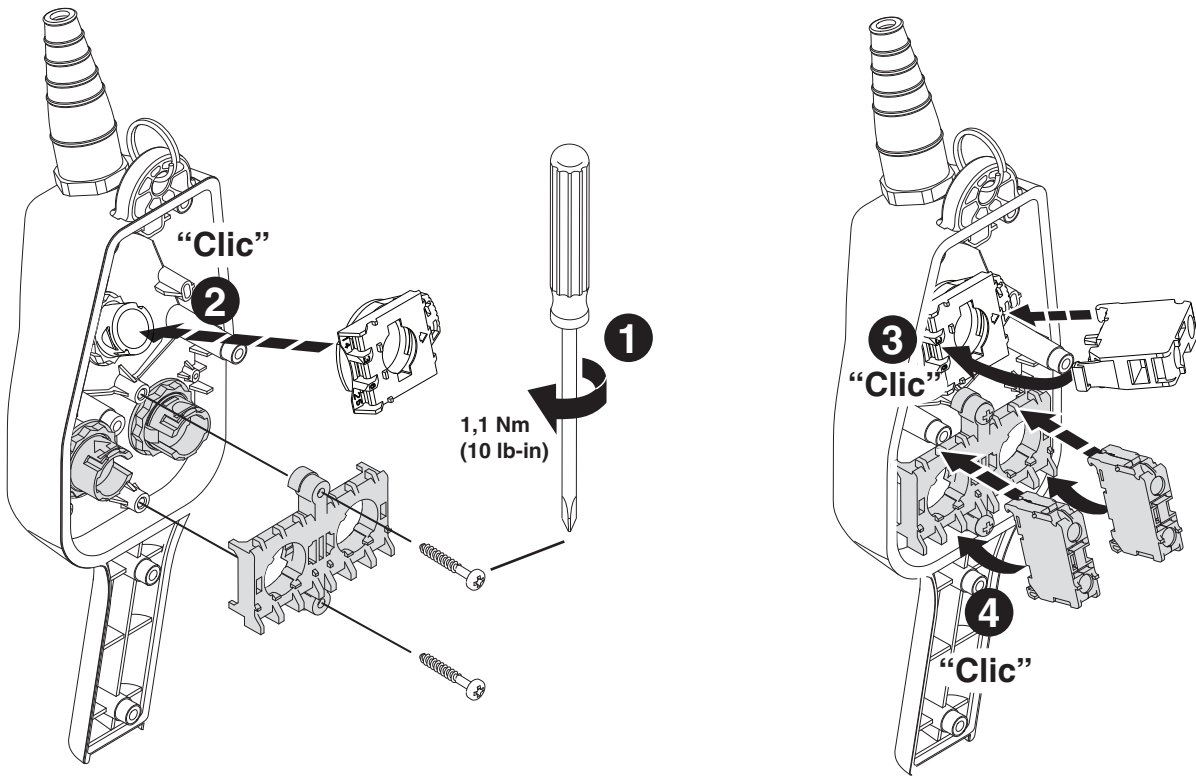
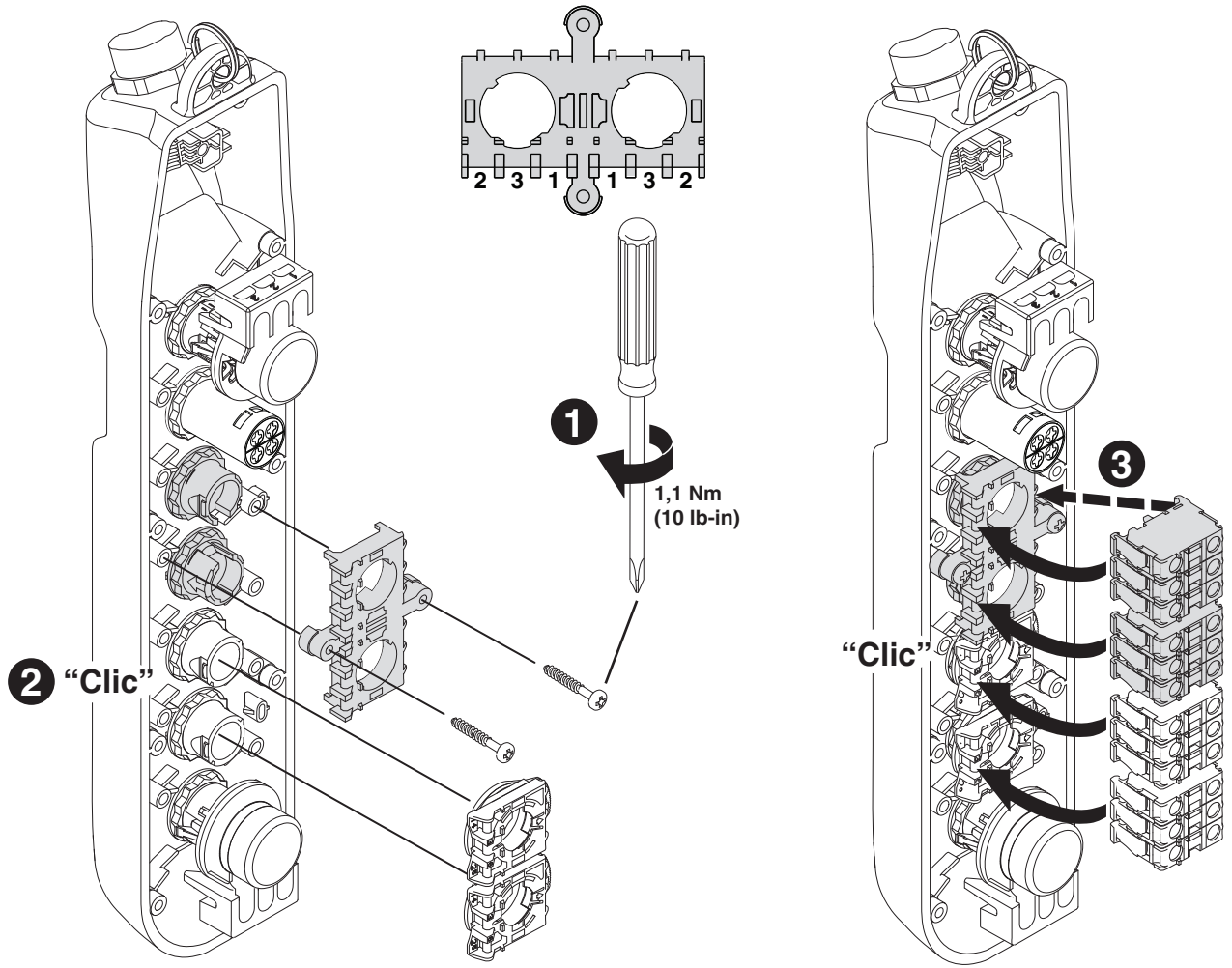
2

2,8 Nm
(25 lb-in)

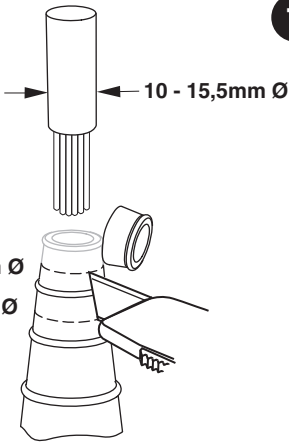
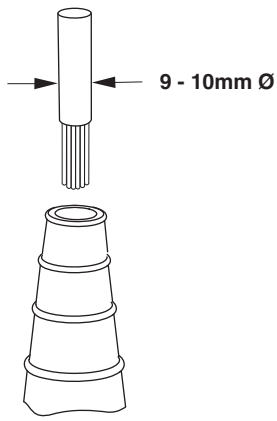
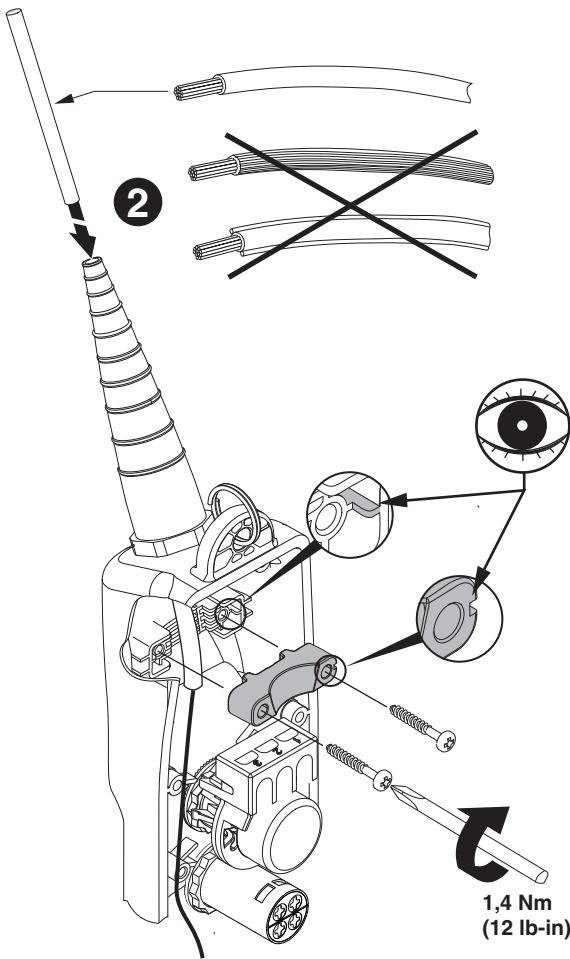
1



4

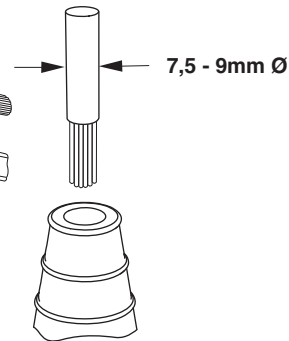
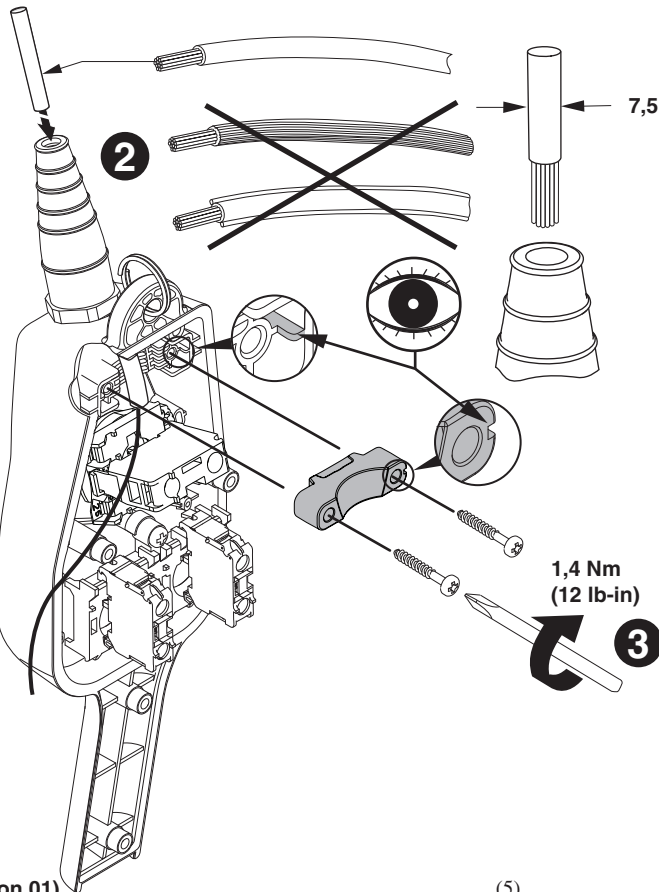
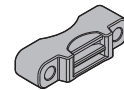
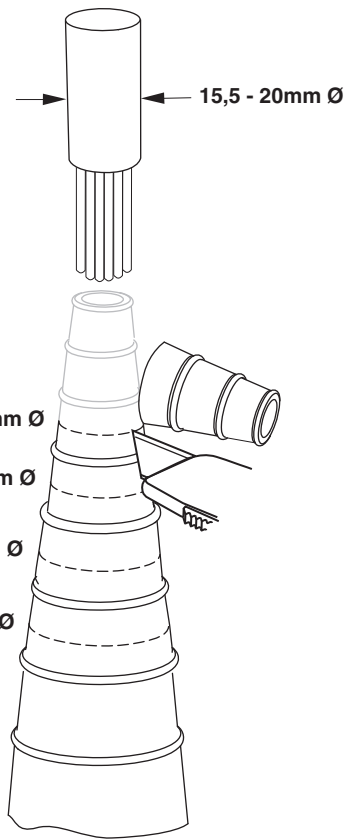


5



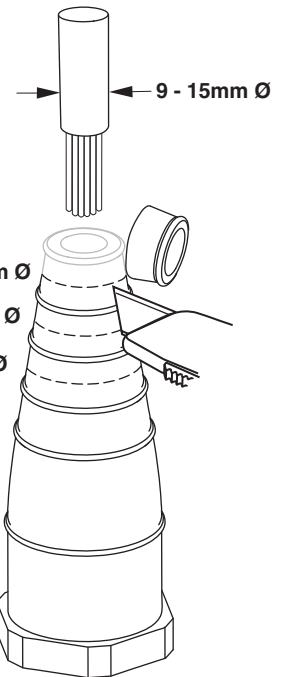
1

or
ou
oder
o



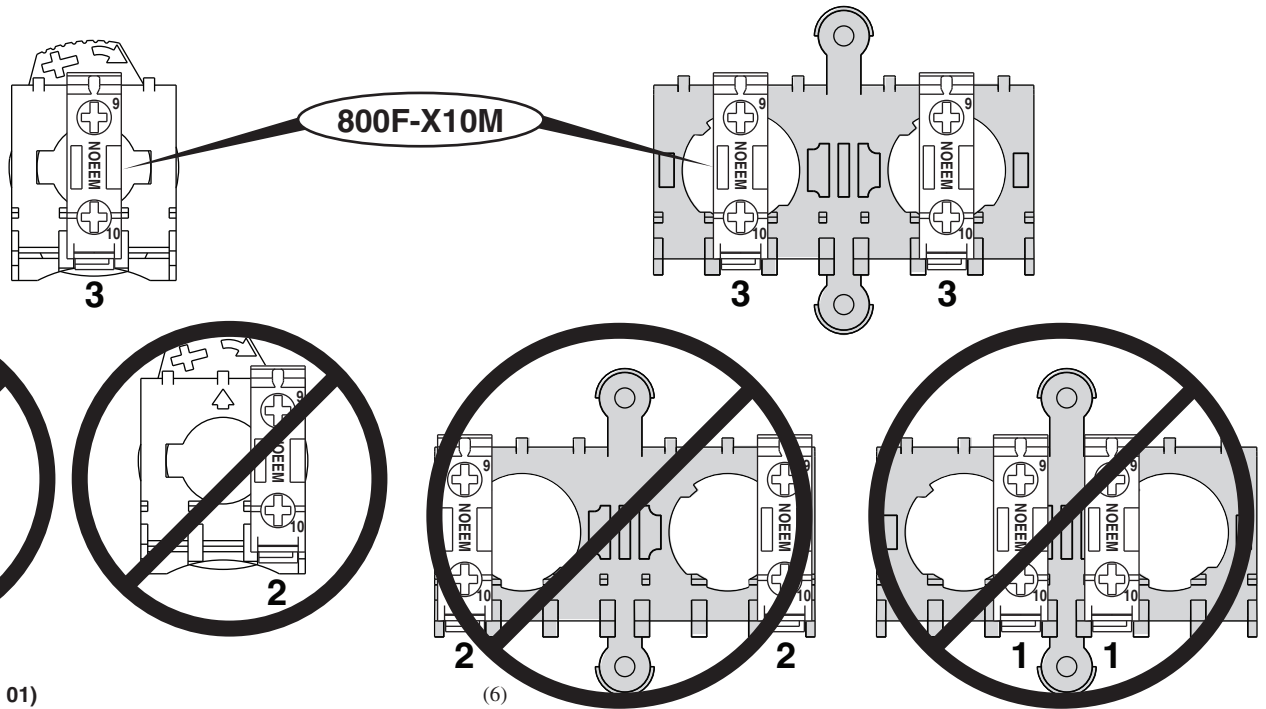
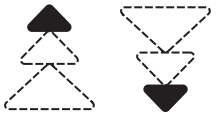
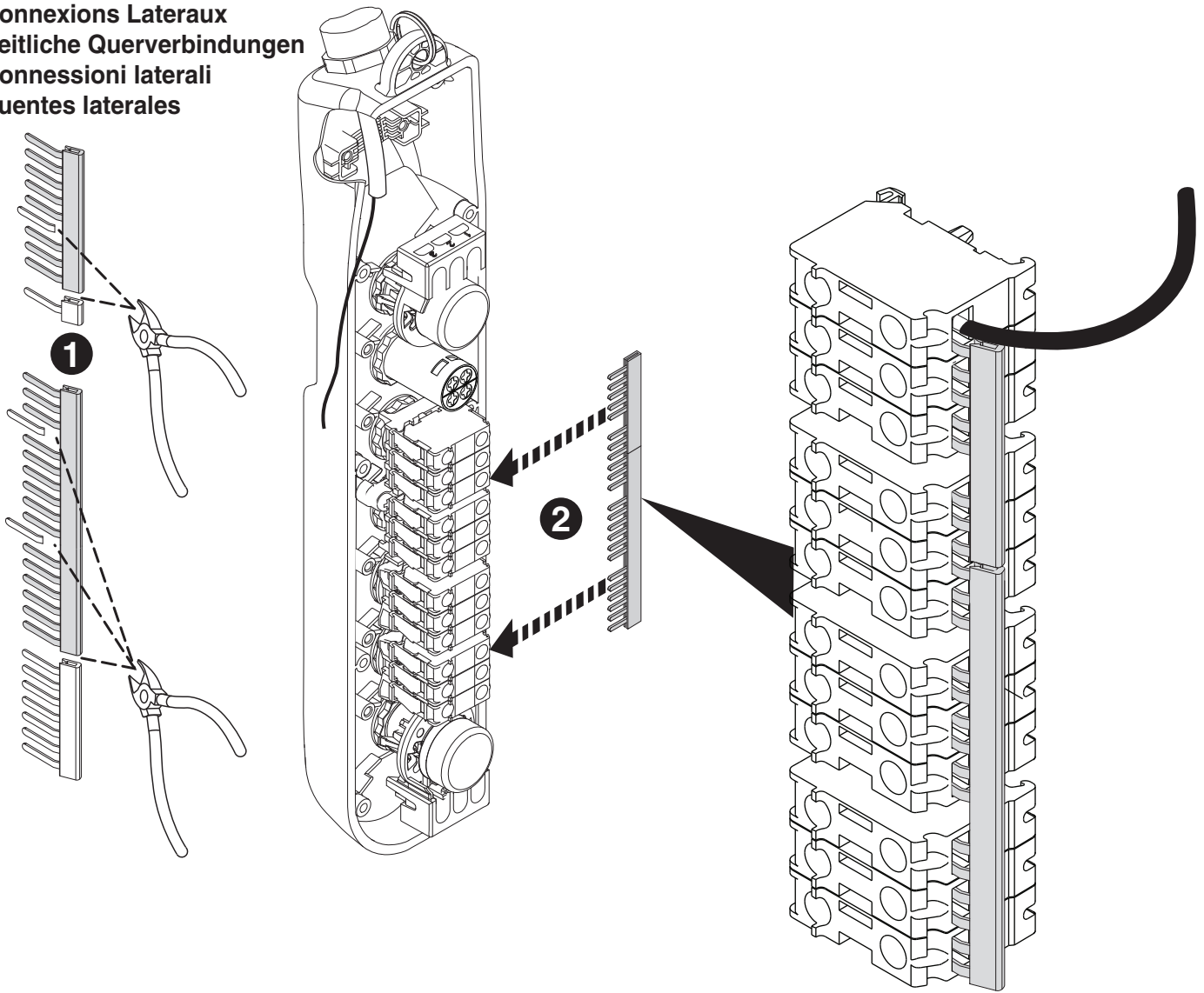
1

> 9mm Ø
> 12mm Ø
14 - 15mm Ø



6

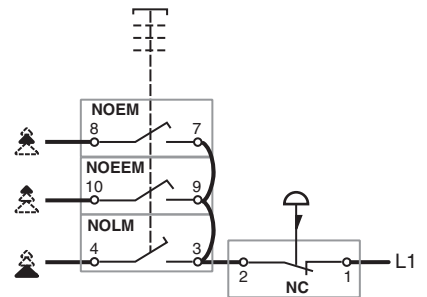
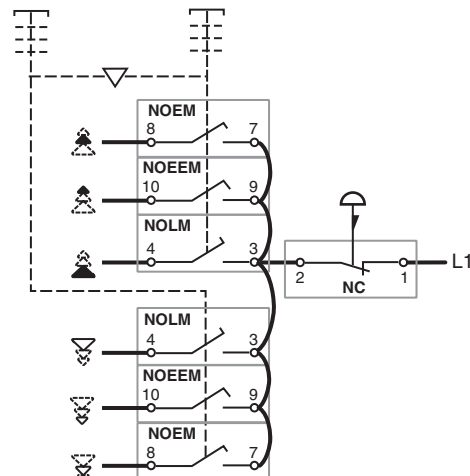
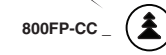
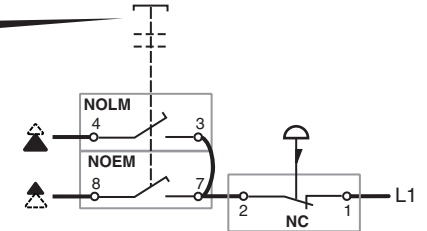
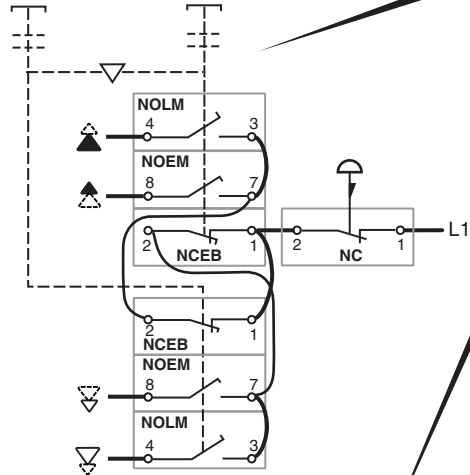
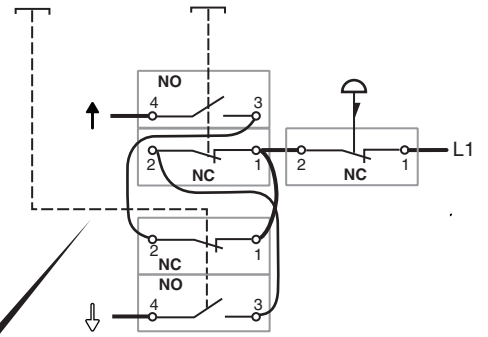
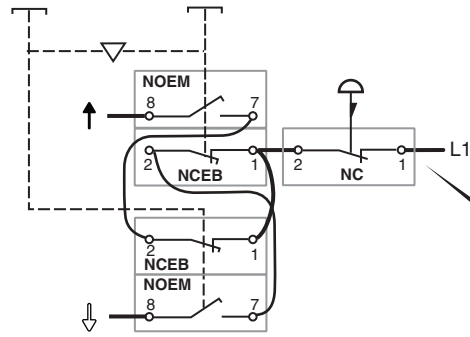
Side Jumpers
Connexions Latérales
Seitliche Querverbindungen
Connessioni laterali
Puentes laterales



Typical Wiring
Câblage type
Typische Verdrahtung
Cablaggio Tipico
Instalación típica



or
ou
oder
o



See applicable codes and laws.
 Consulter les codes et les lois applicables.
 Weitere Informationen finden Sie unter den
 anwendbaren Gesetzen und Rechten.
 Fare riferimento alle rilevanti leggi in vigore.
 Consulte los códigos y leyes relevantes.

7

