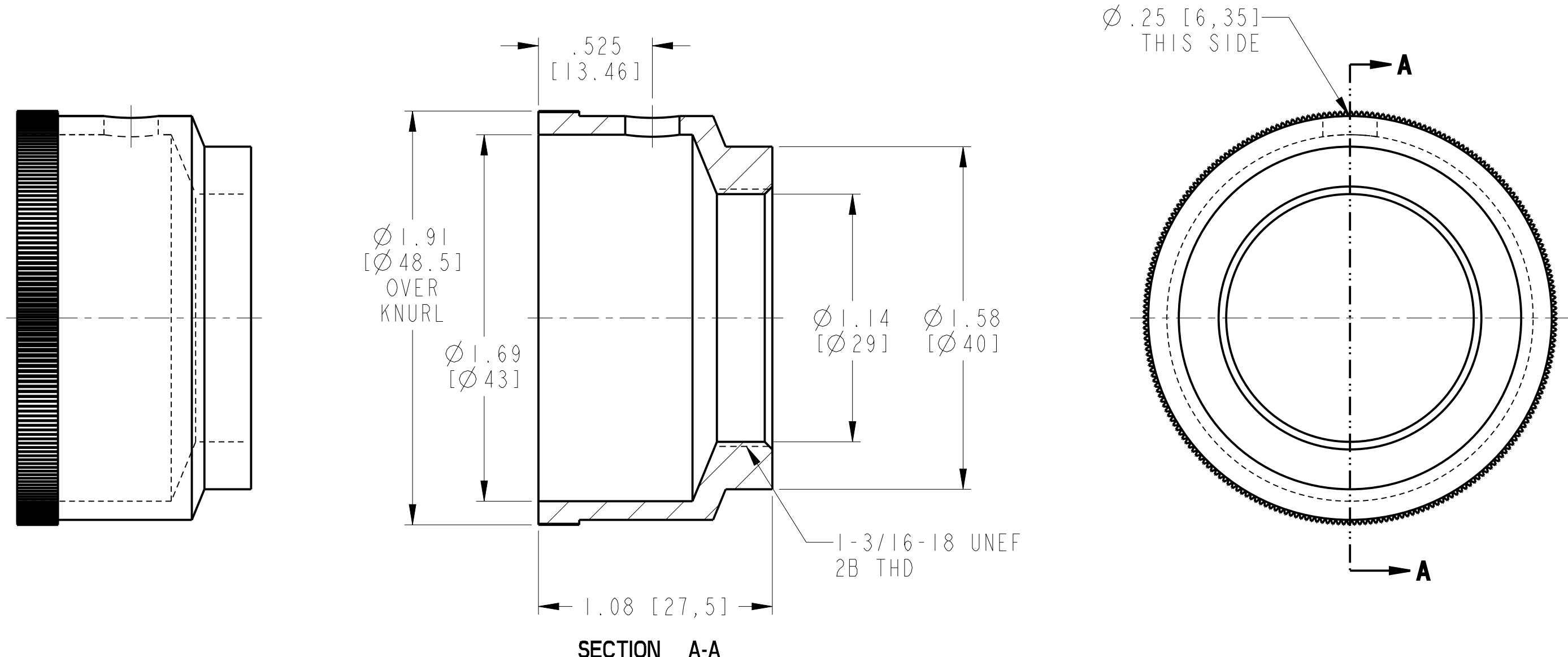


1 2 3 4 5 6 7 8

A  
B  
C  
D  
E  
F  
G  
H



- NOTES:
1. ALL DIM'S SHOWN IN PARENTHESIS ARE IN MILLIMETERS.
  2. ALL DIM'S AND WEIGHTS ARE APPROX. AND NOT INTENDED FOR MANUFACTURING PURPOSES.
  3. WEIGHT = 1.02 oz./28.9 grams.

<b>Rockwell Automation</b>		CONFIDENTIAL AND PROPRIETARY INFORMATION. THIS DOCUMENT CONTAINS CONFIDENTIAL AND PROPRIETARY INFORMATION OF ROCKWELL AUTOMATION, INC. AND MAY NOT BE USED, COPIED OR DISCLOSED TO OTHERS, EXCEPT WITH THE AUTHORIZED WRITTEN PERMISSION OF ROCKWELL AUTOMATION, INC.	
<b>CUSTOMER OUTLINE AND MTG. DIMENSIONS FOR BUL 800T MUSHROOM HEAD PUSHBUTTON SHROUD</b>		Sheet 1 Of 1	
Size	B	40045-019	Ver 02
Drawn by: LEQUENTI		Date: 01-18-2016	