

SPEED SWITCHES • SERIES F

NOTE — All dimensions are approximate and are not intended for manufacturing purposes.
All dimensions shown in parentheses are in millimeters.

NEMA Type 1, 4 & 13

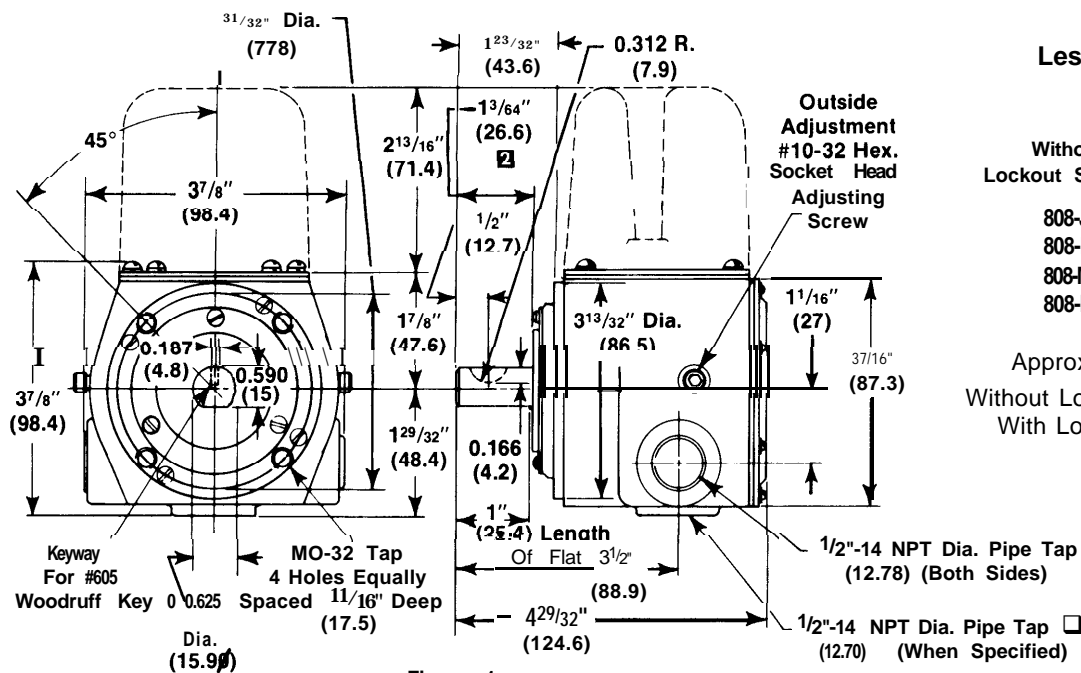


Figure 1

Less Mounting Bracket

Catalog Number

Without Lockout Solenoid	With Lockout Solenoid ¹
808-J4	808-J4L
808-K4	808-K4L
808-M4	808-M4L
808-R4	808-R4L

Approximate Shipping Weight

Without Lockout Solenoid — 5 1/2 Lbs.
With Lockout Solenoid — 7 Lbs.

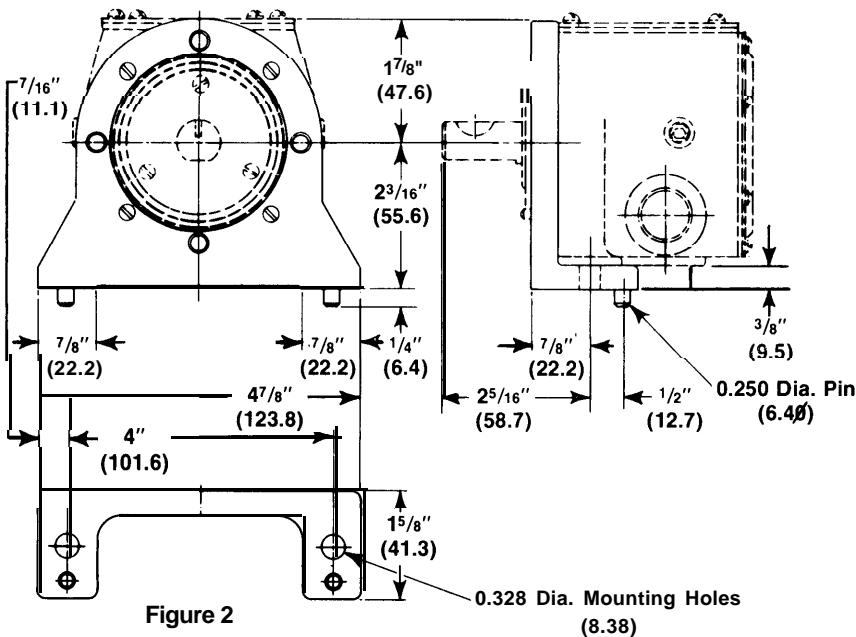


Figure 2

(See Figure 1 for switch dimensions.)

Base Mounting

Catalog Number

Without Lockout Solenoid	With Lockout Solenoid ¹
808-J1	808-J1L
808-K1	808-K1L
808-M1	808-M1L
808-R1	808-R1L

Approximate Shipping Weight

Without Lockout Solenoid — 6 Lbs.
With Lockout Solenoid — 7 1/2 Lbs.

¹ If lockout solenoid is used, see dotted portion of Figure 1 for dimensions.

² If the speed switch is without the external shaft bearing seal (suffix W5), this dimension would be 1 3/8" (34.9).

³ Bulletin 808 speed switches with a suffix XI added to the Catalog number are equipped with a 1/2" pipe tap in the center of the enclosure bottom on the same centerline as the pipe tap at the side.

NOTE – All dimensions are approximate and are not intended for manufacturing purposes.

All dimensions shown in parentheses are in millimeters.

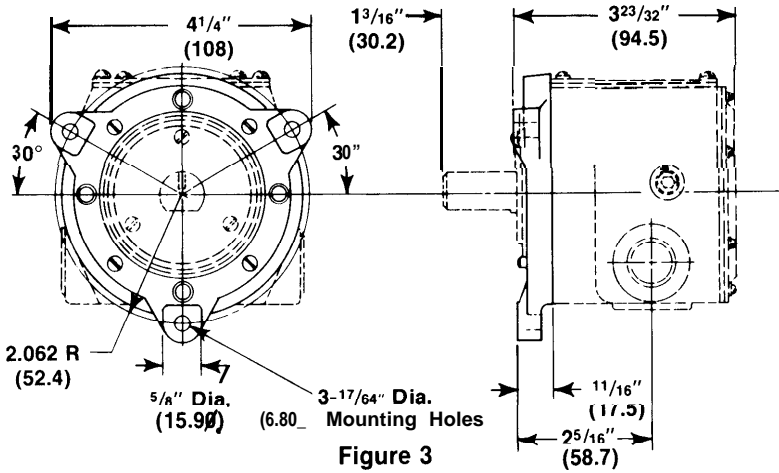


Figure 3

(See Figure 1 on front page for switch dimensions.)

Flange Mounting (3 Point)

Catalog Number	
Without Lockout Solenoid	With Lockout Solenoid <input type="checkbox"/>
808-J2	808-J2L
808-K2	808-K2L
808-M2	808-M2L
808-R2	808-R2L

Approximate Shipping Weight
 Without Lockout Solenoid – 6 Lbs.
 With Lockout Solenoid – 7 1/2 Lbs.

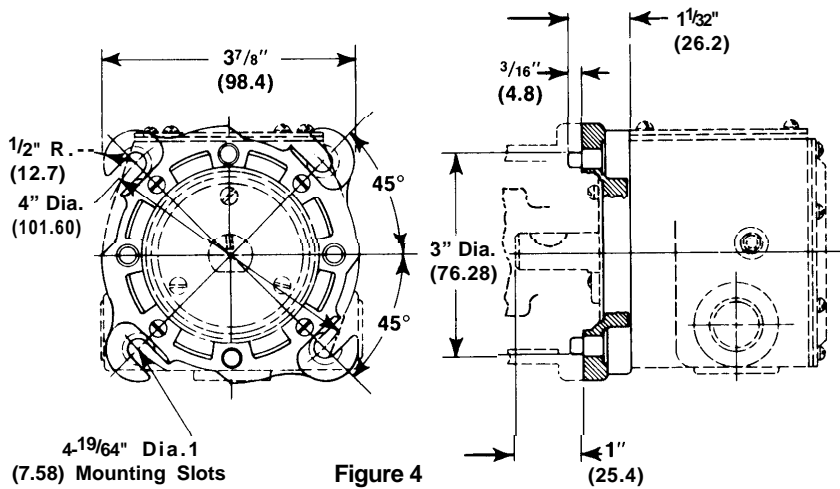


Figure 4

(See Figure 1 on front page for switch dimensions.)

Flange Mounting (4 Point)

Catalog Number	
Without Lockout Solenoid	With Lockout Solenoid <input checked="" type="checkbox"/>
808-J3	808-J3L
808-K3	808-K3L
808-M3	808-M3L
808-R3	808-R3L

Approximate Shipping Weight
 Without Lockout Solenoid – 6 Lbs.
 With Lockout Solenoid – 7 1/2 Lbs.

If Lockout Solenoid is used, see dotted portion of Figure 1 on front page for dimensions.

NEMA Type 7 & 9

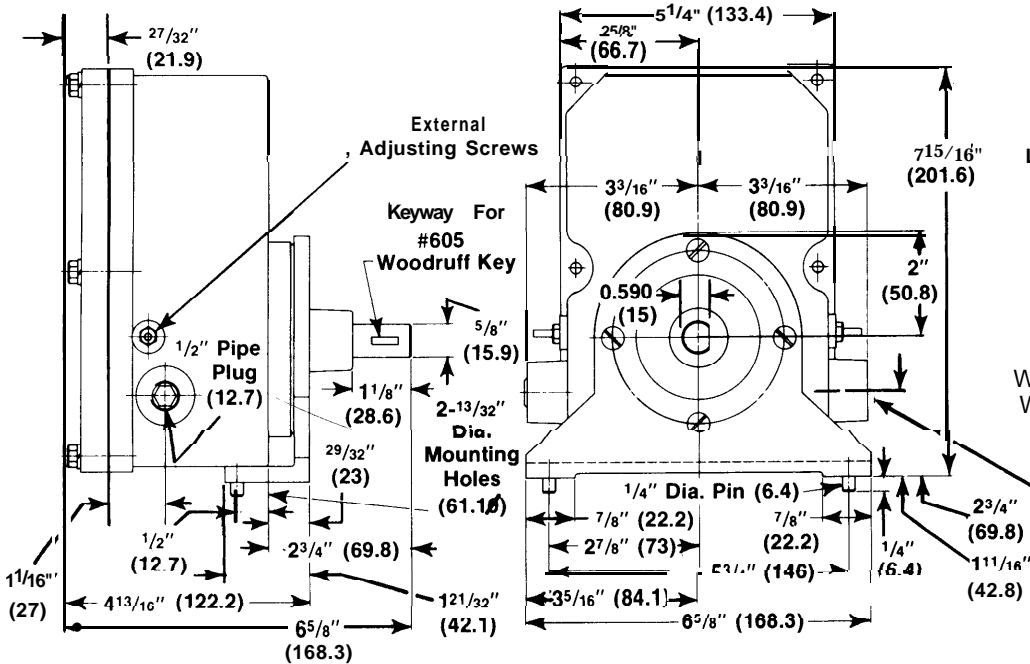


Figure 5

Base Mounting

Catalog Number	
Without Lockout Solenoid	With Lockout Solenoid
808-J17	808-J17L
808-K17	808-K17L
808-M17	808-M17L
808-R17	808-R17L

Approximate Shipping Weight
 Without Lockout Solenoid – 10 Lbs.
 With Lockout Solenoid – 11 1/2 Lbs.