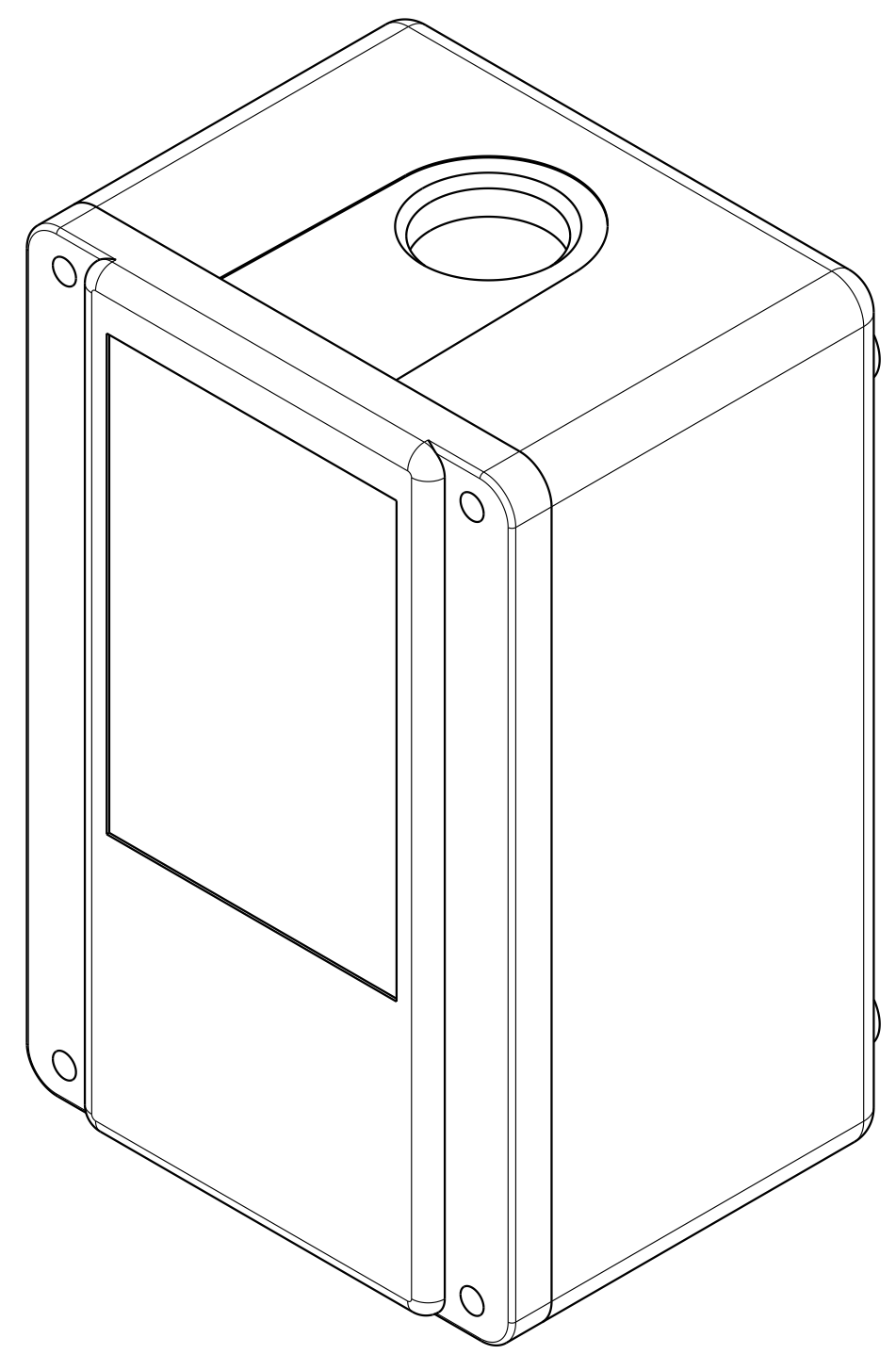
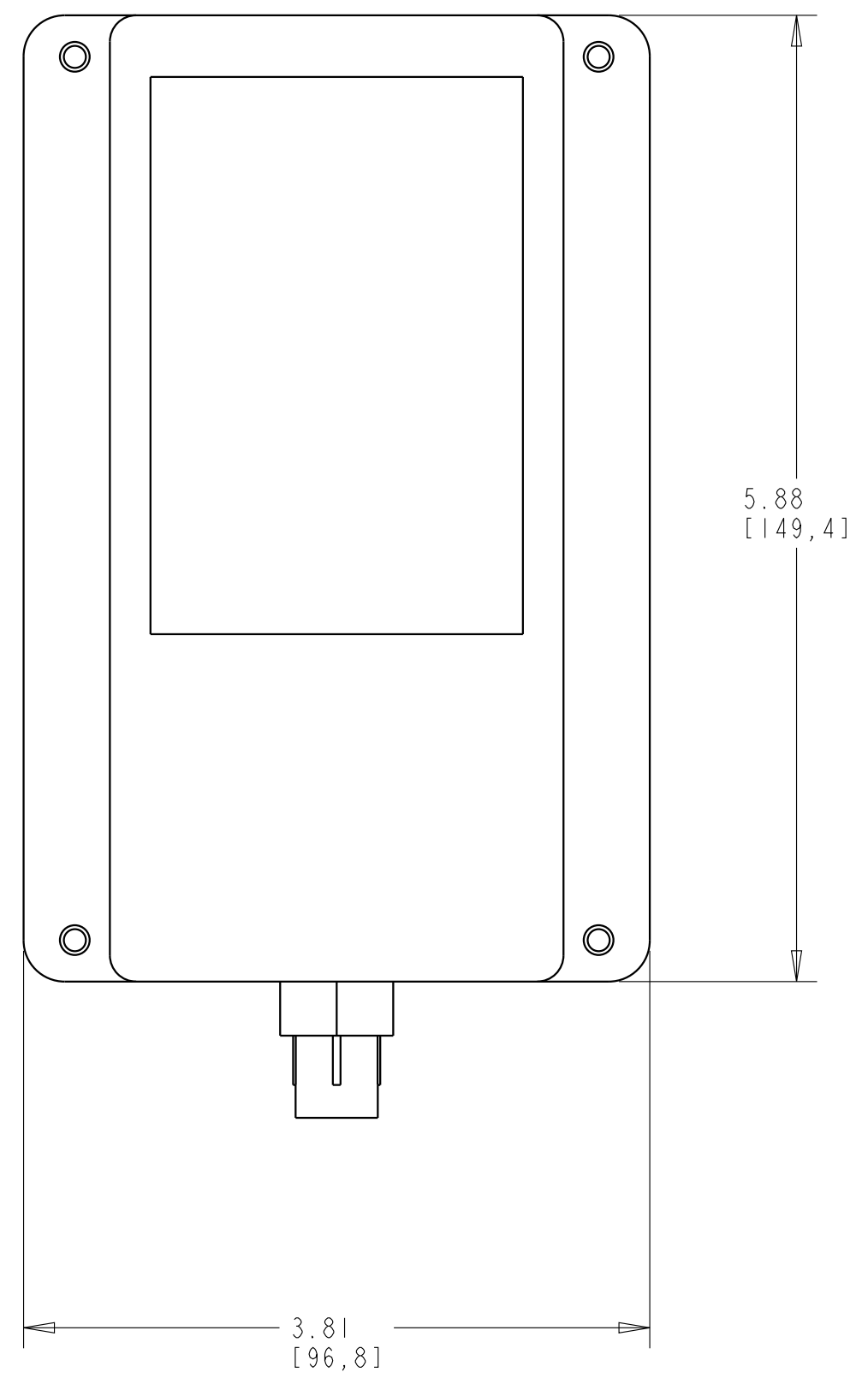
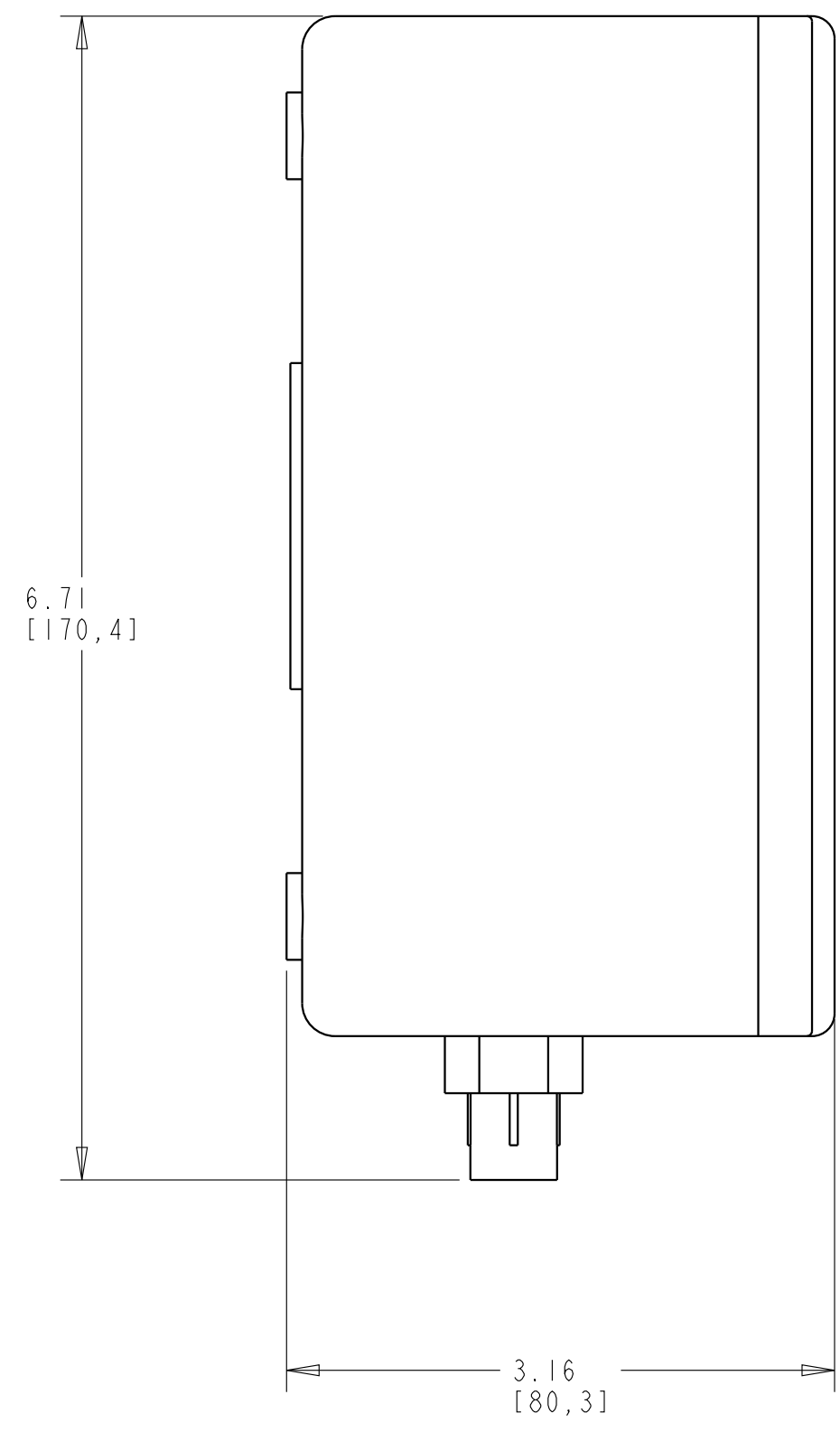


1 2 3 4 5 6 7 8

A
B
C
D
E
F
G
H

Approximate dimensions are shown in inches [millimeters].
Dimensions are not intended to be used for manufacturing purposes.



Rockwell Automation		CONFIDENTIAL AND PROPRIETARY INFORMATION. THIS DOCUMENT CONTAINS CONFIDENTIAL AND PROPRIETARY INFORMATION OF ROCKWELL AUTOMATION, INC. AND MAY NOT BE USED, COPIED OR DISCLOSED TO OTHERS, EXCEPT WITH THE AUTHORIZED WRITTEN PERMISSION OF ROCKWELL AUTOMATION, INC.	
		Sheet 1 Of 1	
836-A2J Pressure Control Switch		Size	Ver
Drawn by:		Date:	C