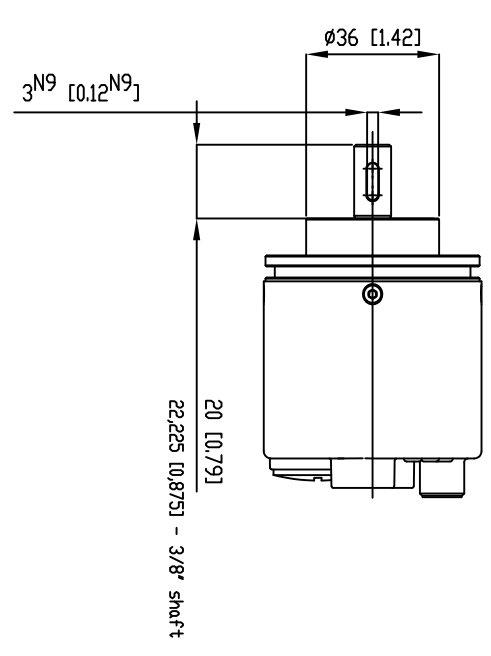
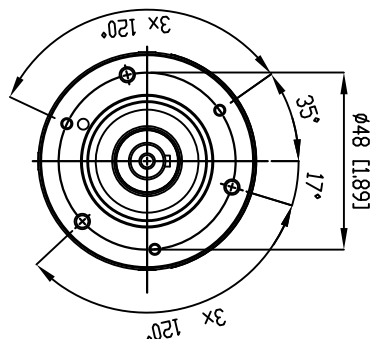
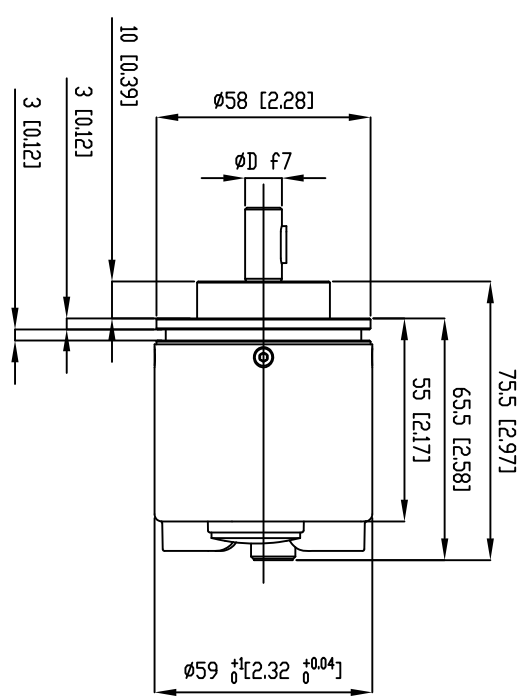
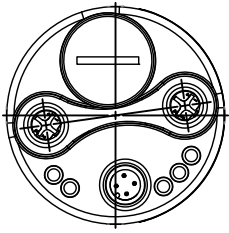


MUST COMPLY WITH ROQVELL  
AUTOMATION S&M PROGRAMS  
SPECIFICATION 07/2024



CLAMPING FLANGE

<p>RA ROSTWOJ AUTOMATION</p>		<p>DATE: 2024-04-15</p>		<p>REV: 1 OF 1</p>	
<p>843E-XIPXA1</p>		<p>843E-XIPXA1</p>		<p>00</p>	

<p>RA ROSTWOJ AUTOMATION</p>	<p>DATE: 2024-04-15</p>	<p>REV: 1 OF 1</p>
<p>843E-XIPXA1</p>	<p>843E-XIPXA1</p>	<p>00</p>