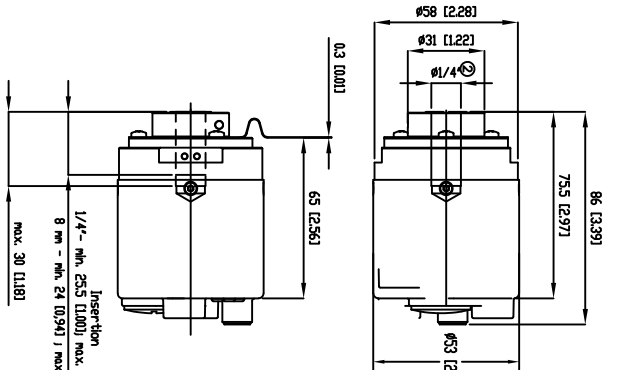
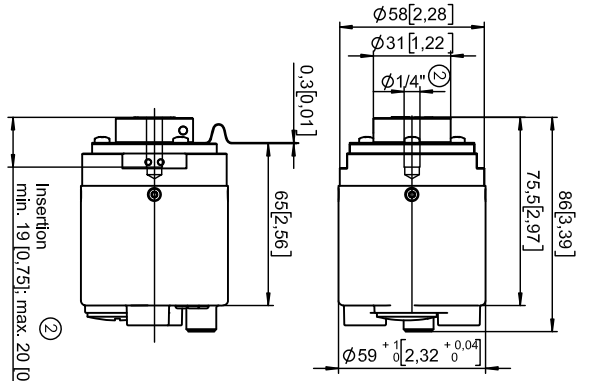
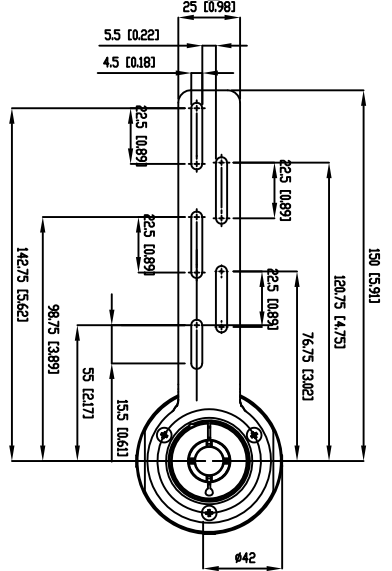
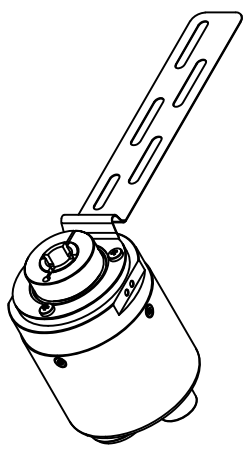


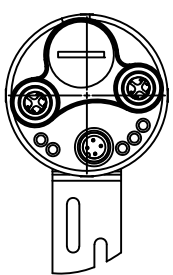
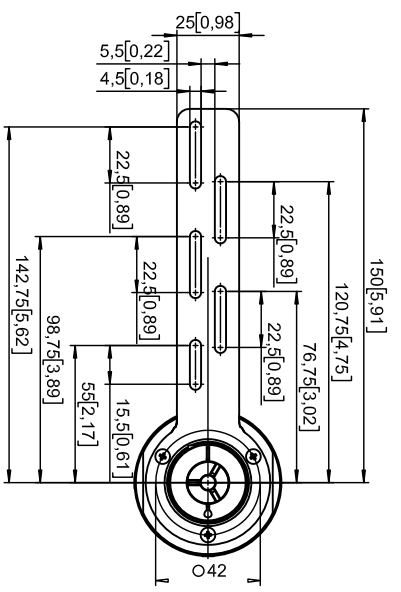
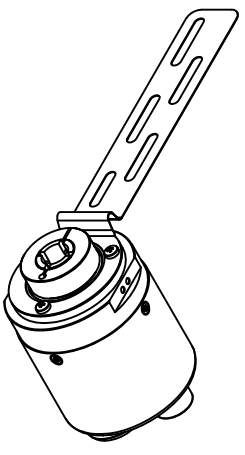
		RA Automation	
843E-XIPXA2	843E-XIPXA2	843E-XIPXA2	843E-XIPXA2



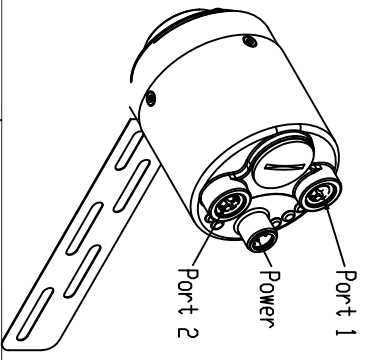
For hollow shaft diameter (ØD) 8, 10, 12, 14, 15mm and 3/8", 1/2"



For hollow shaft diameter (ØD) 3/8", 1/2"



HOLLOW SHAFT FLANGE



	RA Automation
843E-XIPXA2	843E-XIPXA2

MUST COMPLY WITH ROHS/REACH REGULATIONS AND PRODUCT SPECIFICATION 843E-XIPXA2