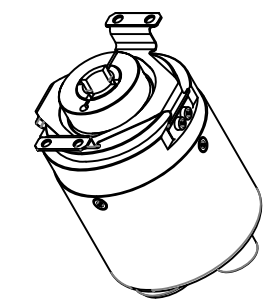
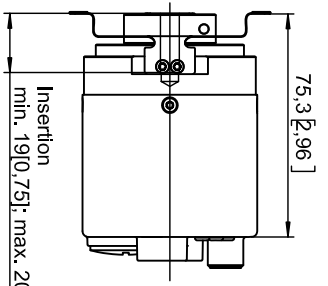
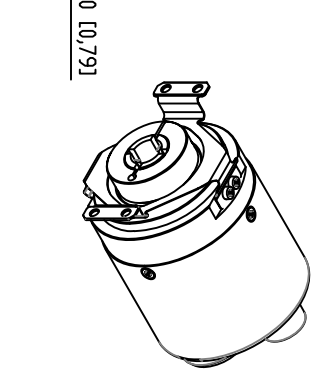
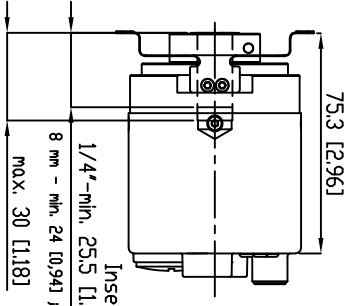
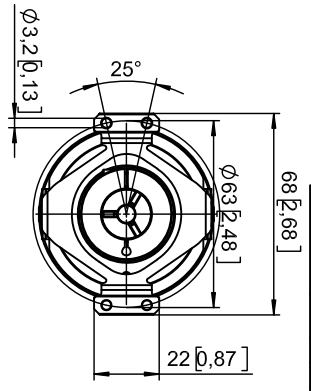
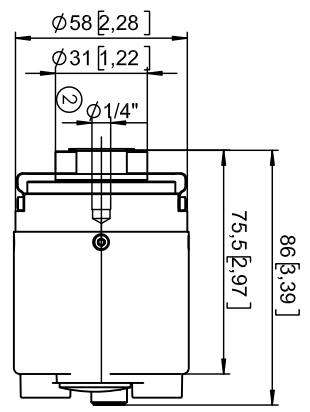
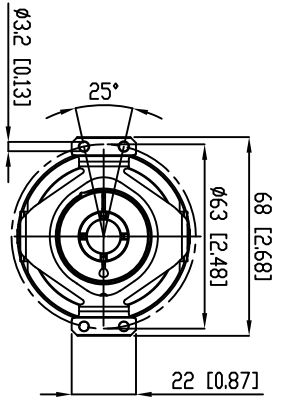
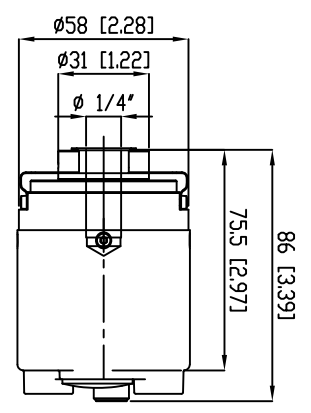
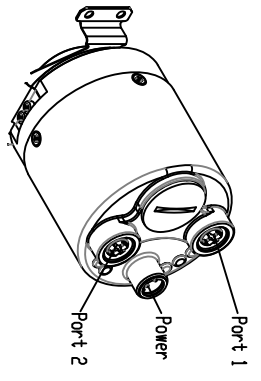
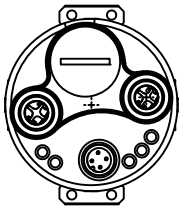


		RA Automation	
843E-XIPXA6 843E-XIPXA6			
DATE	REV.	DATE	REV.
2024-06-15	1	06	1



For hollow shaft diameter (ØD) 8, 10, 12, 14, 15mm and 8 ³/₁₆"

For hollow shaft diameter (ØD) 1"



HOLLOW SHAFT FLANGE

		RA Automation	
843E-XIPXA6 843E-XIPXA6			
DATE	REV.	DATE	REV.
2024-06-15	1	06	1

1 2 3 4 5 6 7 8

MUST COMPLY WITH ROHS/REACH REGULATIONS AND COMPLIANCE WITH SPECIFICATION 843E-XIPXA6