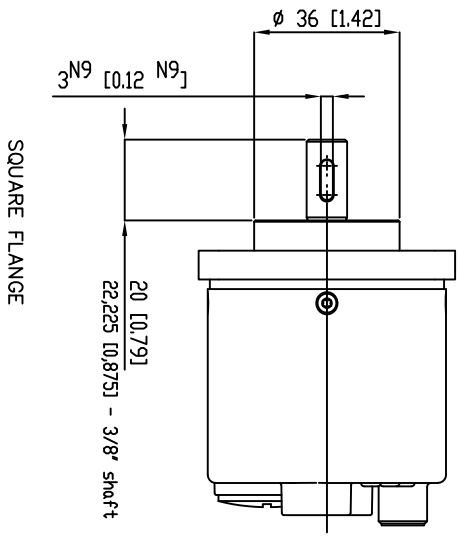
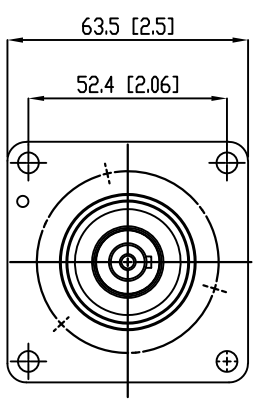
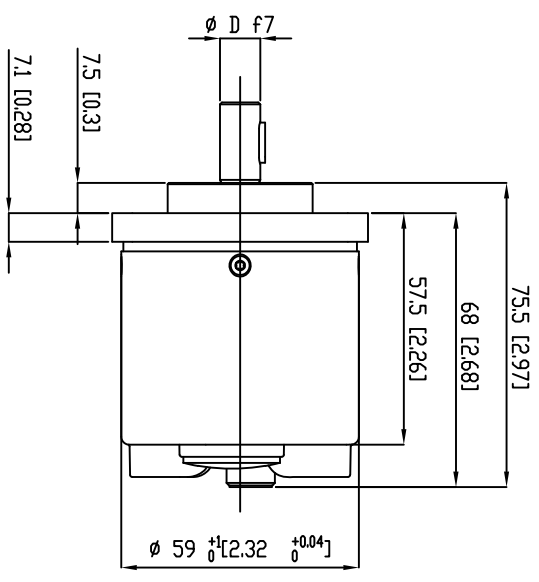
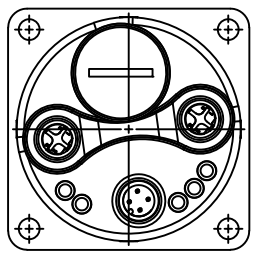


RA <b>Rotowill</b> Automation		CODE IDENTIFICATION AND TRACKING FROM THE PRODUCTION LINE. AN INFORMATION OF INTERNAL USE ONLY. THIS IS NOT A WARRANTY OF MERCHANTABILITY. WE DO NOT ASSUME LIABILITY FOR THE AUTOMATICALLY GENERATED INFORMATION. DATE: 2024-09-15 SHEET: 1 OF 1
ORDER NO: 843E-ETH-ENCODER VARIANTE: NIKUMARZ3	DATE: 2024-09-15 SHEET: 1 OF 1	CODE IDENTIFICATION AND TRACKING FROM THE PRODUCTION LINE. AN INFORMATION OF INTERNAL USE ONLY. THIS IS NOT A WARRANTY OF MERCHANTABILITY. WE DO NOT ASSUME LIABILITY FOR THE AUTOMATICALLY GENERATED INFORMATION. DATE: 2024-09-15 SHEET: 1 OF 1
<b>D</b>	<b>843E-XIPXBAV</b>	CODE IDENTIFICATION AND TRACKING FROM THE PRODUCTION LINE. AN INFORMATION OF INTERNAL USE ONLY. THIS IS NOT A WARRANTY OF MERCHANTABILITY. WE DO NOT ASSUME LIABILITY FOR THE AUTOMATICALLY GENERATED INFORMATION. DATE: 2024-09-15 SHEET: 1 OF 1



SQUARE FLANGE

RA <b>Rotowill</b> Automation	CODE IDENTIFICATION AND TRACKING FROM THE PRODUCTION LINE. AN INFORMATION OF INTERNAL USE ONLY. THIS IS NOT A WARRANTY OF MERCHANTABILITY. WE DO NOT ASSUME LIABILITY FOR THE AUTOMATICALLY GENERATED INFORMATION. DATE: 2024-09-15 SHEET: 1 OF 1
ORDER NO: 843E-ETH-ENCODER VARIANTE: NIKUMARZ3	DATE: 2024-09-15 SHEET: 1 OF 1
<b>D</b>	<b>843E-XIPXBAV</b>

MUST COMPLY WITH ROHS/REACH  
 AUTOMATION BY ROTOWILL  
 SPECIFICATION 07/2024