

1

2

3

4

5

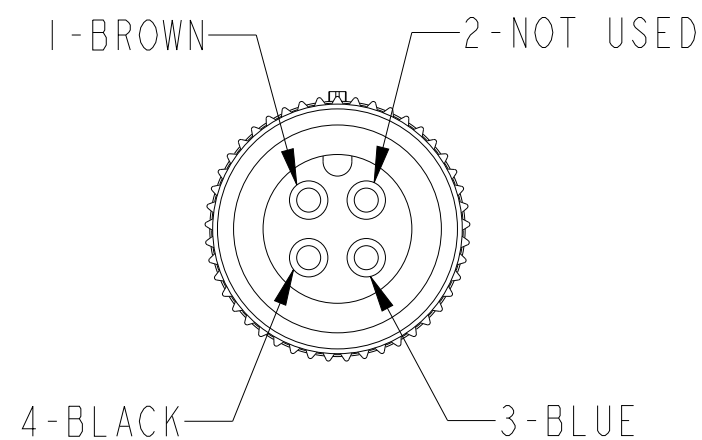
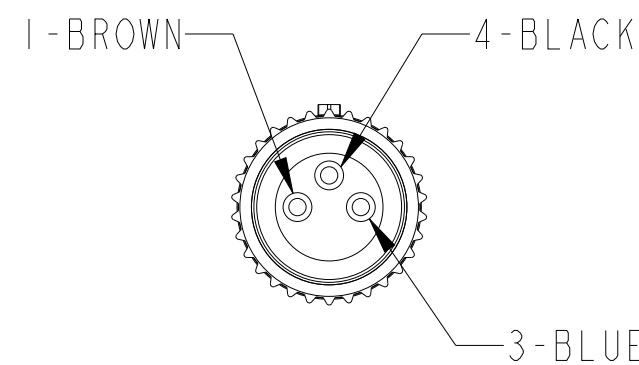
6

7

8

MALE END VIEW

FEMALE END VIEW

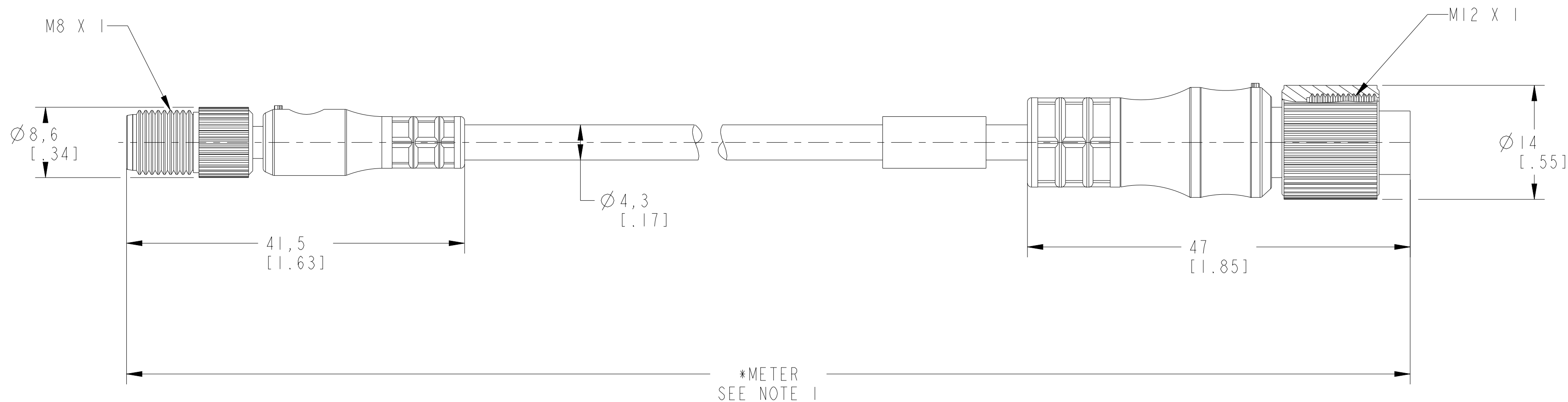


3-PIN, M8 X 1
STRAIGHT MALE CONNECTOR

4-PIN, M12 X 1
STRAIGHT FEMALE CONNECTOR

SPECIFICATIONS

| | |
|-----------------------------|---|
| CERTIFICATIONS | UL RECOGNIZED AND CSA CERTIFIED |
| COUPLING NUT MATERIAL | DC MICRO: BLACK EPOXY-COATED ZINC, PICO: NICKEL-PLATED BRASS |
| CONNECTOR OVERMOLD MATERIAL | DC MICRO: MOLDED OIL-RESISTANT PUR, PICO: MOLDED OIL-RESISTANT TPE |
| CONTACT PLATING | GOLD OVER NICKEL-PLATED BRASS |
| CONTACT MATERIAL | BRASS OR COPPER ALLOY |
| CABLE TYPE | TPE, 24AWG, 300V |
| CABLE JACKET COLOR | YELLOW |
| BEND RADIUS | 10 X DIAMETER |
| NUMBER OF CONDUCTORS [AWG] | 3X24 AWG (PICO MALE), 4X24 AWG (MICRO FEMALE) |
| SHIELDING | UNSHIELDED |
| CABLE RATING | UL AWM STYLE 20327 VW-1 105°C 300V FT1 |
| INGRESS PROTECTION | IP67 |
| TEMPERATURE RATING | -20°... +105°C (-4°... +221°F) |



DIMENSIONS & INFORMATION SHOWN ARE FOR REFERENCE ONLY AND FOR LATEST UPDATE PLEASE REFER <http://www.ab.com/catalogs/>

Rockwell Automation

CONFIDENTIAL AND PROPRIETARY INFORMATION. THIS DOCUMENT CONTAINS CONFIDENTIAL AND PROPRIETARY INFORMATION OF ROCKWELL AUTOMATION, INC. AND MAY NOT BE USED, COPIED OR DISCLOSED TO OTHERS, EXCEPT WITH THE AUTHORIZED WRITTEN PERMISSION OF ROCKWELL AUTOMATION, INC.

Sheet 1 Of 1

889D-F4HBP3M-*

| | | | |
|------|----------------|-----|-----|
| Size | 889D-F4HBP3M-* | Ver | 0.0 |
|------|----------------|-----|-----|

Drawn by: LNT

Date: 05-18-2015

NOTES:
 1. (*) REPRESENTS THE CABLE LENGTH IN METERS.
 2. ALL DIMENSIONS ARE IN MM [INCHES] UNLESS AND OTHERWISE SPECIFIED.