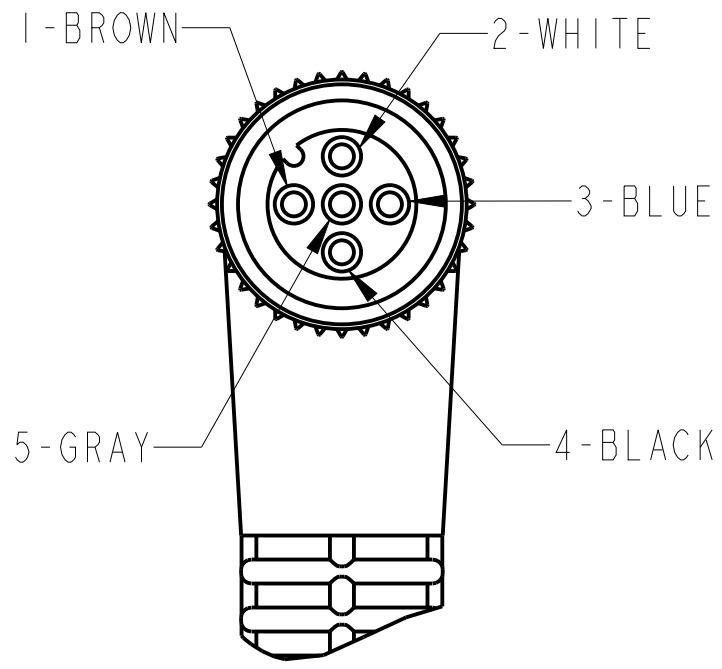


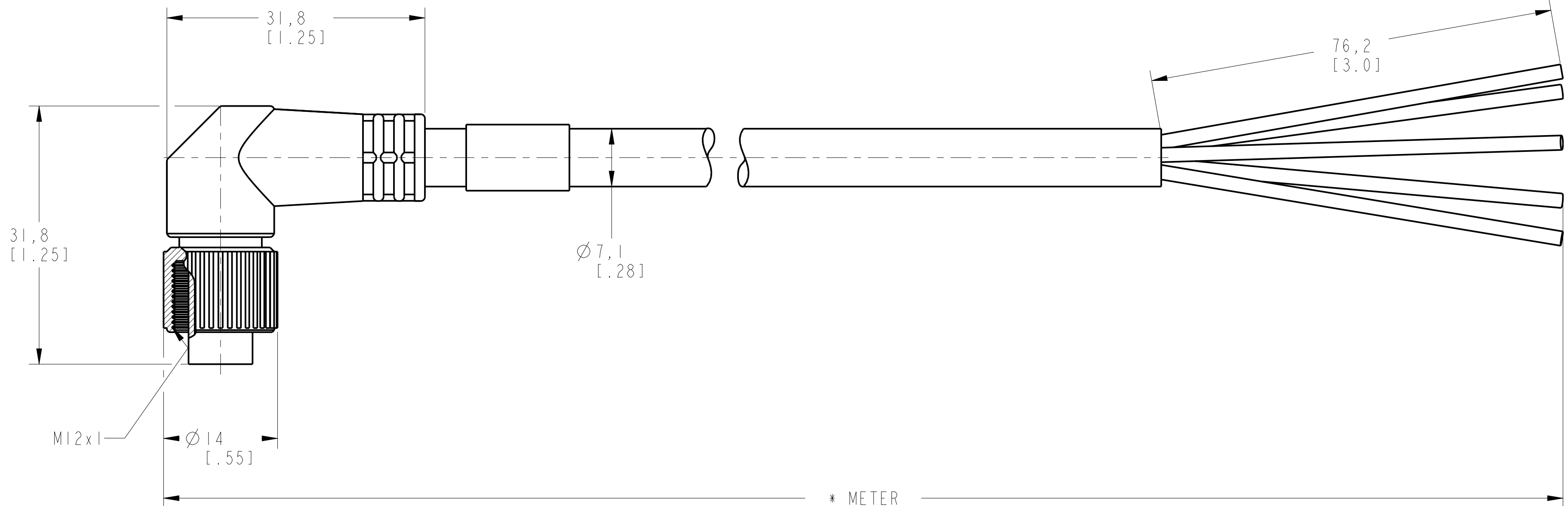
RIGHT ANGLE FEMALE END VIEW



5-PIN, M12
RIGHT ANGLE FEMALE CONNECTOR

SPECIFICATIONS

| | |
|-----------------------------|---|
| CERTIFICATIONS | UL RECOGNIZED AND CSA CERTIFIED |
| COUPLING NUT MATERIAL | EPOXY-COATED ZINC |
| CONNECTOR OVERMOLD MATERIAL | OIL RESISTANT PUR |
| CONTACT PLATING | GOLD OR GOLD FLASH OVER PALLADIUM-NICKEL |
| CONTACT MATERIAL | BRASS OR COPPER ALLOY |
| CABLE TYPE | PVC, 22AWG, 300V |
| CABLE JACKET COLOR | YELLOW |
| BEND RADIUS | 10 X DIAMETER |
| NUMBER OF CONDUCTORS [AWG] | 5x22 AWG |
| SHIELDING | BRAIDED |
| CABLE RATING | UL AWM STYLE 2661 VW-1 105C 300V, CSA AWM A/B 1/11 80C 300V FT1, UV OIL AND WATER RESISTANT |
| INGRESS PROTECTION | NEMA 6P, 1200 PSI (8270 kPa) WASHDOWN, IP69K |
| TEMPERATURE RATING | -20°... +105°C (-4°... +221°F) |



* METER
SEE NOTE 1

DIMENSIONS & INFORMATION SHOWN ARE FOR REFERENCE ONLY AND FOR LATEST UPDATE PLEASE REFER <http://www.ab.com/catalogs/>

**Rockwell
Automation**

CONFIDENTIAL AND PROPRIETARY INFORMATION.
THIS DOCUMENT CONTAINS CONFIDENTIAL AND PROPRIETARY
INFORMATION OF ROCKWELL AUTOMATION, INC. AND MAY
NOT BE USED, COPIED OR DISCLOSED TO OTHERS, EXCEPT
WITH THE AUTHORIZED WRITTEN PERMISSION OF ROCKWELL
AUTOMATION, INC.

Sheet 1 Of 1

889D-R5EC-*

| | |
|------|-----|
| Size | Ver |
| C | 0.0 |

Drawn by: LNT

Date: 11/14/2013

NOTES:

- (*) REPRESENTS THE CABLE LENGTH IN METERS.
- ALL DIMENSIONS ARE IN MM [INCHES] UNLESS AND OTHERWISE SPECIFIED.