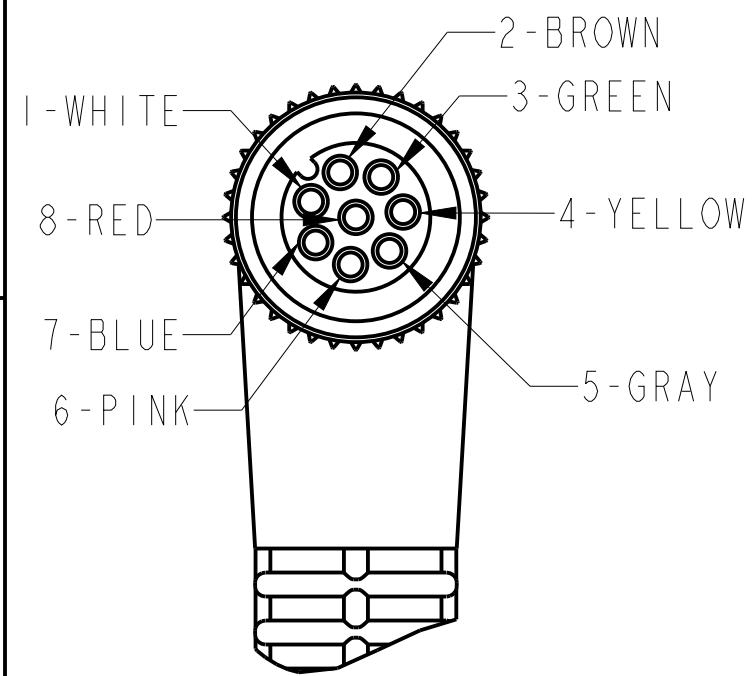


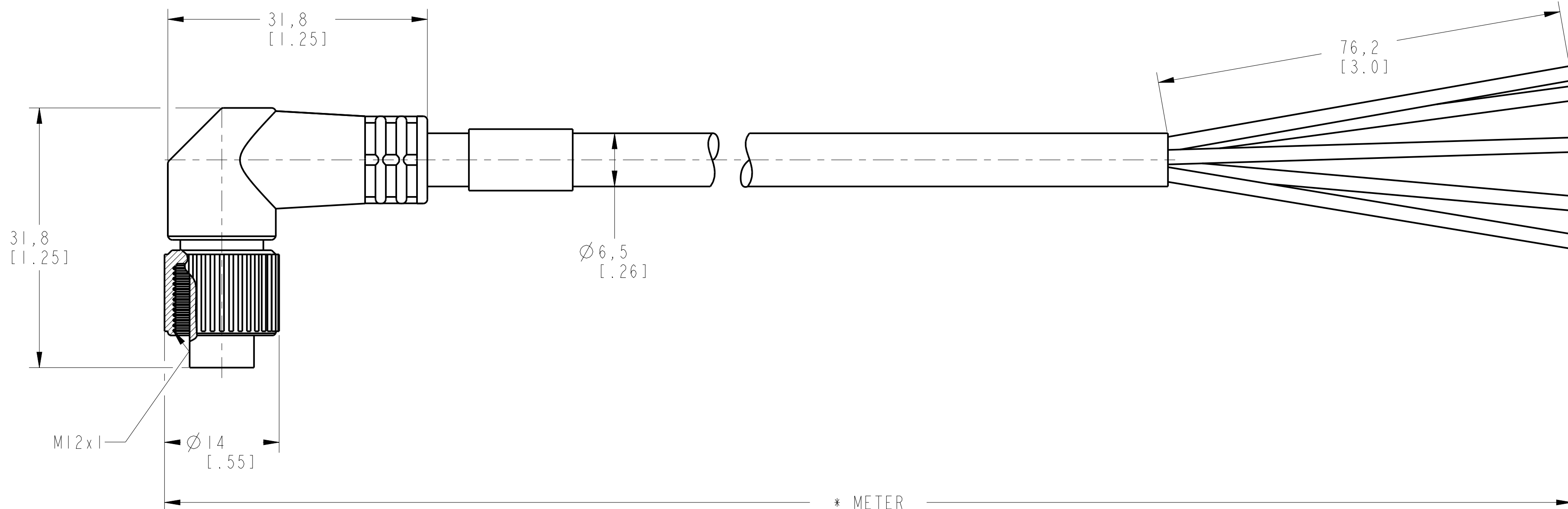
RIGHT ANGLE FEMALE END VIEW



8-PIN, M12
RIGHT ANGLE FEMALE CONNECTOR

SPECIFICATIONS

| | |
|-----------------------------|--|
| CERTIFICATIONS | UL RECOGNIZED AND CSA CERTIFIED |
| COUPLING NUT MATERIAL | EPOXY-COATED ZINC |
| CONNECTOR OVERMOLD MATERIAL | OIL RESISTANT PUR |
| CONTACT PLATING | GOLD OR GOLD FLASH OVER PALLADIUM-NICKEL |
| CONTACT MATERIAL | BRASS OR COPPER ALLOY |
| CABLE TYPE | PVC, 24AWG, 300V |
| CABLE JACKET COLOR | YELLOW |
| BEND RADIUS | 10 X DIAMETER |
| NUMBER OF CONDUCTORS [AWG] | 8x24 AWG |
| SHIELDING | UNSHIELDED |
| CABLE RATING | UL AWM STYLE 20866 90C 300V, CSA 11 A 90C 300V |
| INGRESS PROTECTION | NEMA 6P, 1200 PSI (8270 kPa) WASHDOWN, IP69K |
| TEMPERATURE RATING | -20° ... +80°C (-4° ... +176°F) |



* METER
SEE NOTE 1

DIMENSIONS & INFORMATION SHOWN ARE FOR REFERENCE ONLY AND FOR LATEST UPDATE PLEASE REFER <http://www.ab.com/catalogs/>

Rockwell Automation

CONFIDENTIAL AND PROPRIETARY INFORMATION. THIS DOCUMENT CONTAINS CONFIDENTIAL AND PROPRIETARY INFORMATION OF ROCKWELL AUTOMATION, INC. AND MAY NOT BE USED, COPIED OR DISCLOSED TO OTHERS, EXCEPT WITH THE AUTHORIZED WRITTEN PERMISSION OF ROCKWELL AUTOMATION, INC.

889D-R8AB-*

Sheet 1 Of 1

| | |
|---------------|-----|
| Size | Ver |
| C 889D-R8AB-* | 0.0 |

Drawn by: LNT

Date: 11/14/2013

- NOTES:
1. (*) REPRESENTS THE CABLE LENGTH IN METERS.
2. ALL DIMENSIONS ARE IN MM [INCHES] UNLESS AND OTHERWISE SPECIFIED.