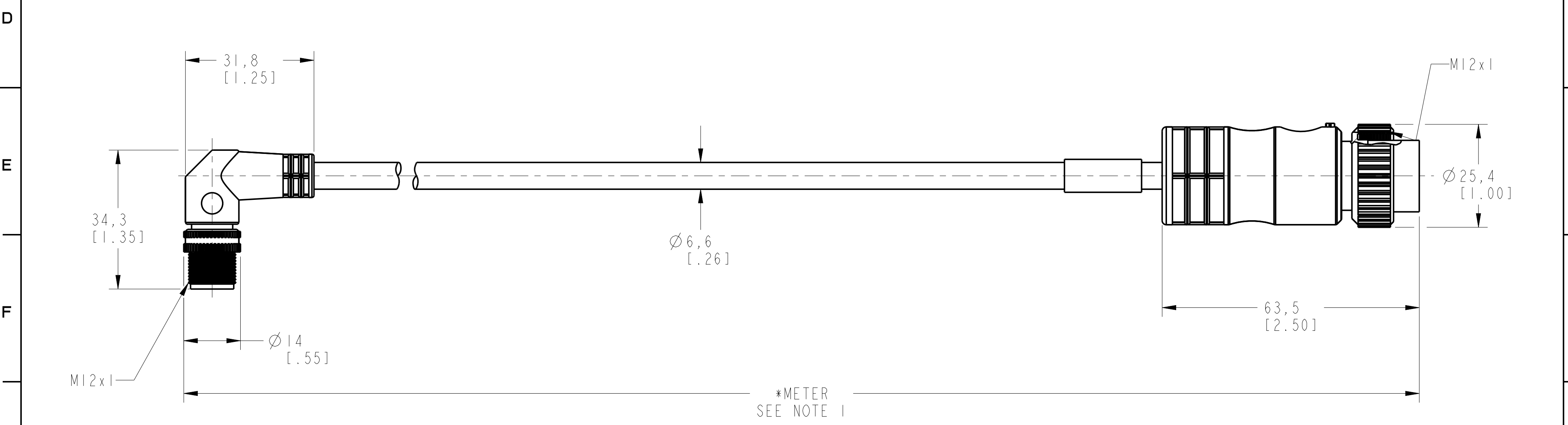


**3** **4** **5** **6** **7** **8**

**SPECIFICATIONS**

CERTIFICATIONS	UL RECOGNIZED AND CSA CERTIFIED
COUPLING NUT MATERIAL	EPOXY-COATED ZINC
CONNECTOR OVERMOLD MATERIAL	OIL RESISTANT PVC
CONTACT PLATING	GOLD OR GOLD FLASH OVER PALLADIUM-NICKEL
CONTACT MATERIAL	BRASS OR COPPER ALLOY
CABLE TYPE	PVC, 18AWG, 300V
CABLE JACKET COLOR	YELLOW
BEND RADIUS	10 X DIAMETER
NUMBER OF CONDUCTORS [AWG]	3x18AWG(MINI FEMALE) & 3x18AWG(AC MICRO MALE)
SHIELDING	UNSHIELDED
CABLE RATING	UNSHIELDED, OIL, WATER, AND UV RESISTANT, AWM, 18AWG
INGRESS PROTECTION	IP67
TEMPERATURE RATING	-20° ... +105°C (-4° ... +221°F)



**H**

NOTES:  
 1. (\*) REPRESENTS THE CABLE LENGTH IN METERS.  
 2. ALL DIMENSIONS ARE IN MM [INCHES] UNLESS AND OTHERWISE SPECIFIED.

DIMENSIONS & INFORMATION SHOWN ARE FOR REFERENCE ONLY AND FOR LATEST UPDATE PLEASE REFER <http://www.ab.com/catalogs/>

<b>Rockwell Automation</b>		CONFIDENTIAL AND PROPRIETARY INFORMATION. THIS DOCUMENT CONTAINS CONFIDENTIAL AND PROPRIETARY INFORMATION OF ROCKWELL AUTOMATION, INC. AND MAY NOT BE USED, COPIED OR DISCLOSED TO OTHERS, EXCEPT WITH THE AUTHORIZED WRITTEN PERMISSION OF ROCKWELL AUTOMATION, INC.	
889N-F3AERE - *		Sheet 1 Of 1	
Drawn by: LNT	Date: 04/28/2014	Size	Ver
		<b>C</b>	889N-F3AERE - * 0.0