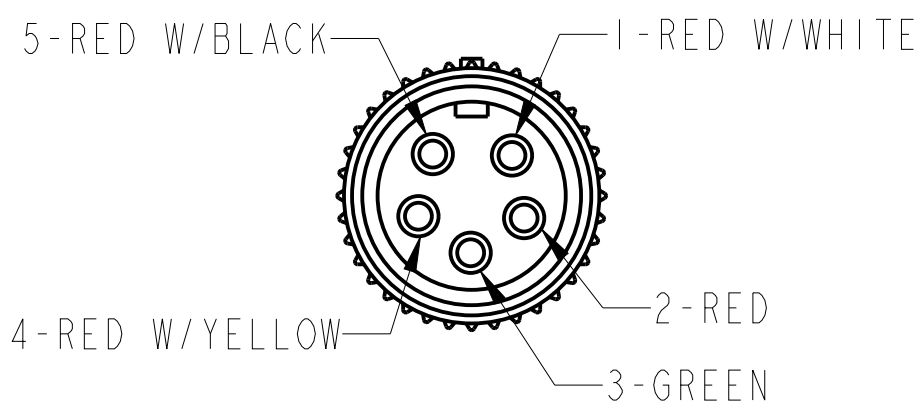


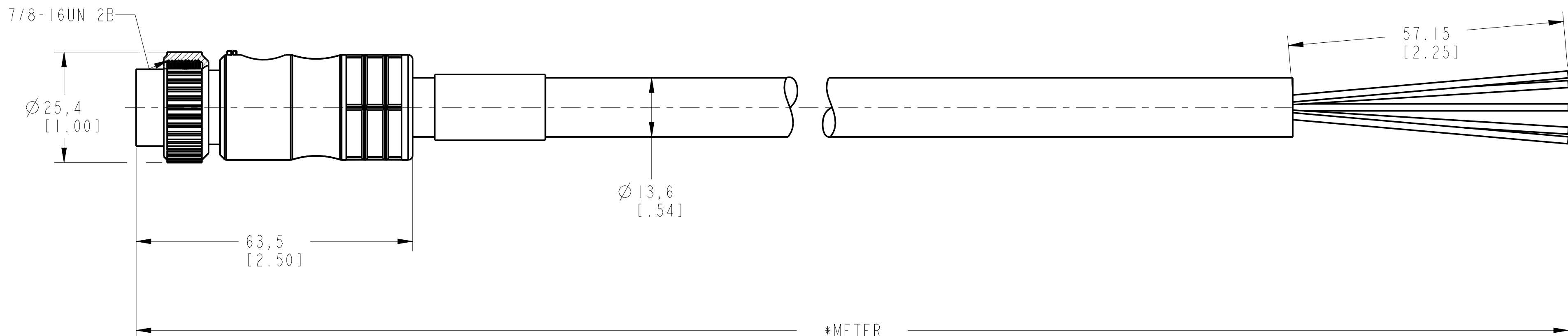
FEMALE END VIEW



5-PIN, 7/8-16UN 2B
STRAIGHT FEMALE CONNECTOR

SPECIFICATIONS

| | |
|-----------------------------|---------------------------------------------------------------------------|
| CERTIFICATIONS | UL RECOGNIZED AND CSA CERTIFIED |
| COUPLING NUT MATERIAL | EPOXY-COATED ZINC |
| CONNECTOR OVERMOLD MATERIAL | OIL RESISTANT TPE |
| CONTACT PLATING | GOLD OR GOLD FLASH OVER PALLADIUM-NICKEL |
| CONTACT MATERIAL | BRASS OR COPPER ALLOY |
| CABLE TYPE | PVC, 16AWG, 600V |
| CABLE JACKET COLOR | YELLOW |
| BEND RADIUS | 10 X DIAMETER |
| NUMBER OF CONDUCTORS [AWG] | 5x16 AWG |
| SHIELDING | UNSHIELDED |
| CABLE RATING | UL STOOW VW-1 105C 600V, CSA ST 105C 600V FT2, UV OIL AND WATER RESISTANT |
| INGRESS PROTECTION | NEMA 4, 6P, 12, 13; IP67; 1200 PSI WASHDOWN, IP69K |
| TEMPERATURE RATING | -20°... +105°C (-4°... +221°F) |



*METER
SEE NOTE 1

DIMENSIONS & INFORMATION SHOWN ARE FOR REFERENCE ONLY AND FOR LATEST UPDATE PLEASE REFER <http://www.ab.com/catalogs/>

- NOTES:
1. (*) REPRESENTS THE CABLE LENGTH IN METERS.
2. ALL DIMENSIONS ARE IN MM [INCHES] UNLESS AND OTHERWISE SPECIFIED.

| | | | |
|---------------|------------------|--------------------------------------------------------------------------------------------------------------------------------------------------------------------------------------------------------------------------------------------------------------------------------------|------------|
| | | <small>CONFIDENTIAL AND PROPRIETARY INFORMATION. THIS DOCUMENT CONTAINS CONFIDENTIAL AND PROPRIETARY INFORMATION OF ROCKWELL AUTOMATION, INC. AND MAY NOT BE USED, COPIED OR DISCLOSED TO OTHERS, EXCEPT WITH THE AUTHORIZED WRITTEN PERMISSION OF ROCKWELL AUTOMATION, INC.</small> | |
| | | Sheet 1 Of 1 | |
| 889N-F5AFA-* | | Size C | Ver 0.0 |
| Drawn by: LNT | Date: 03/10/2014 | | |