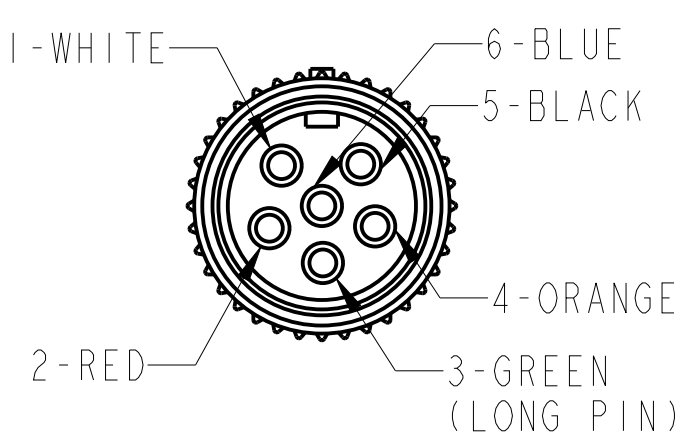


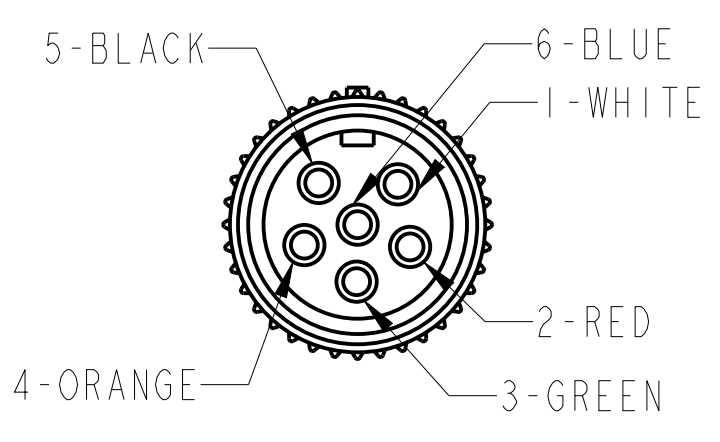
A
B
C
D
E
F
G
H

MALE END VIEW



6-PIN, 7/8-16UN 2B STRAIGHT MALE CONNECTOR

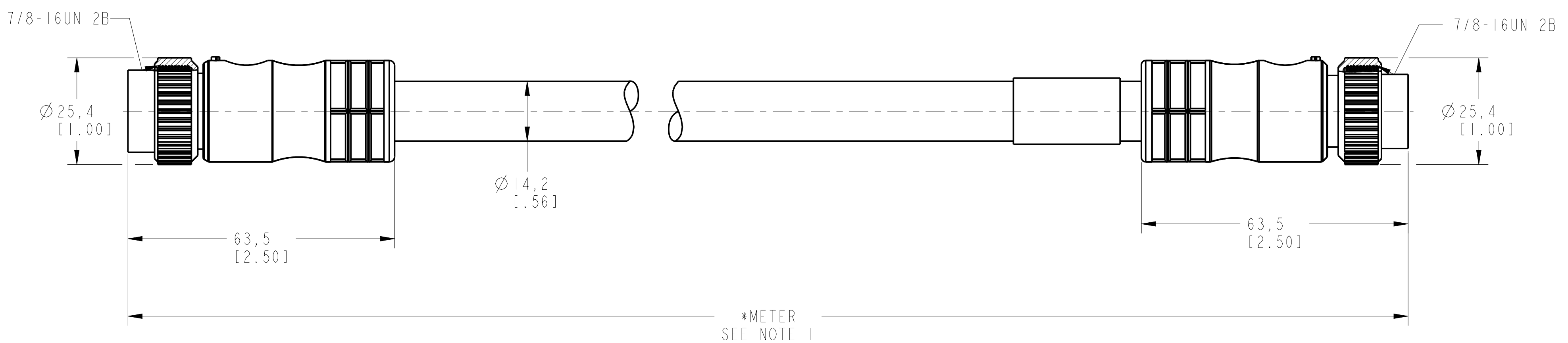
FEMALE END VIEW



6-PIN, 7/8-16UN 2B STRAIGHT FEMALE CONNECTOR

SPECIFICATIONS

CERTIFICATIONS	UL RECOGNIZED AND CSA CERTIFIED
COUPLING NUT MATERIAL	EPOXY-COATED ZINC
CONNECTOR OVERMOLD MATERIAL	OIL RESISTANT TPE
CONTACT PLATING	GOLD OR GOLD FLASH OVER PALLADIUM-NICKEL
CONTACT MATERIAL	BRASS OR COPPER ALLOY
CABLE TYPE	PVC, 16AWG, 600V
CABLE JACKET COLOR	YELLOW
BEND RADIUS	10 X DIAMETER
NUMBER OF CONDUCTORS [AWG]	6x16 AWG
SHIELDING	UNSHIELDED
CABLE RATING	UL STOOW VW-1 105C 600V, CSA ST 105C 600V FT2, UV OIL AND WATER RESISTANT
INGRESS PROTECTION	NEMA 4, 6P, 12, 13; IP67; 1200 PSI WASHDOWN, IP69K
TEMPERATURE RATING	-20°... +105°C (-4°... +221°F)



*METER
SEE NOTE 1

DIMENSIONS & INFORMATION SHOWN ARE FOR REFERENCE ONLY AND FOR LATEST UPDATE PLEASE REFER <http://www.ab.com/catalogs/>

NOTES:
1. (*) REPRESENTS THE CABLE LENGTH IN METERS.
2. ALL DIMENSIONS ARE IN MM [INCHES] UNLESS AND OTHERWISE SPECIFIED.

		<small>CONFIDENTIAL AND PROPRIETARY INFORMATION. THIS DOCUMENT CONTAINS CONFIDENTIAL AND PROPRIETARY INFORMATION OF ROCKWELL AUTOMATION, INC. AND MAY NOT BE USED, COPIED OR DISCLOSED TO OTHERS, EXCEPT WITH THE AUTHORIZED WRITTEN PERMISSION OF ROCKWELL AUTOMATION, INC.</small>	
		Sheet 1 Of 1	
889N-F6AFNU-*		Size C	Ver 0.0
Drawn by: LNT	Date: 03/10/2014		