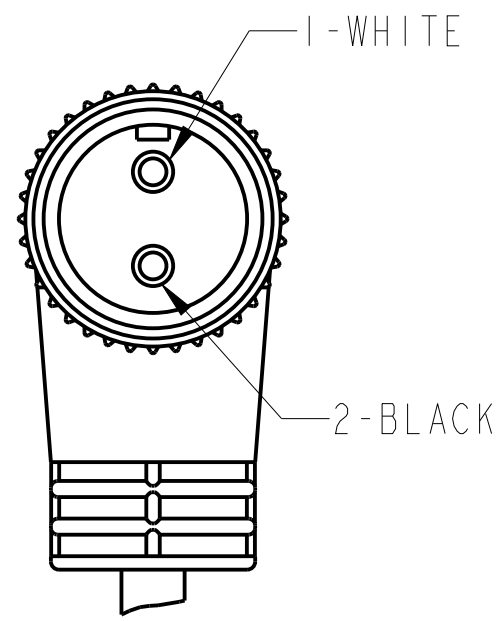


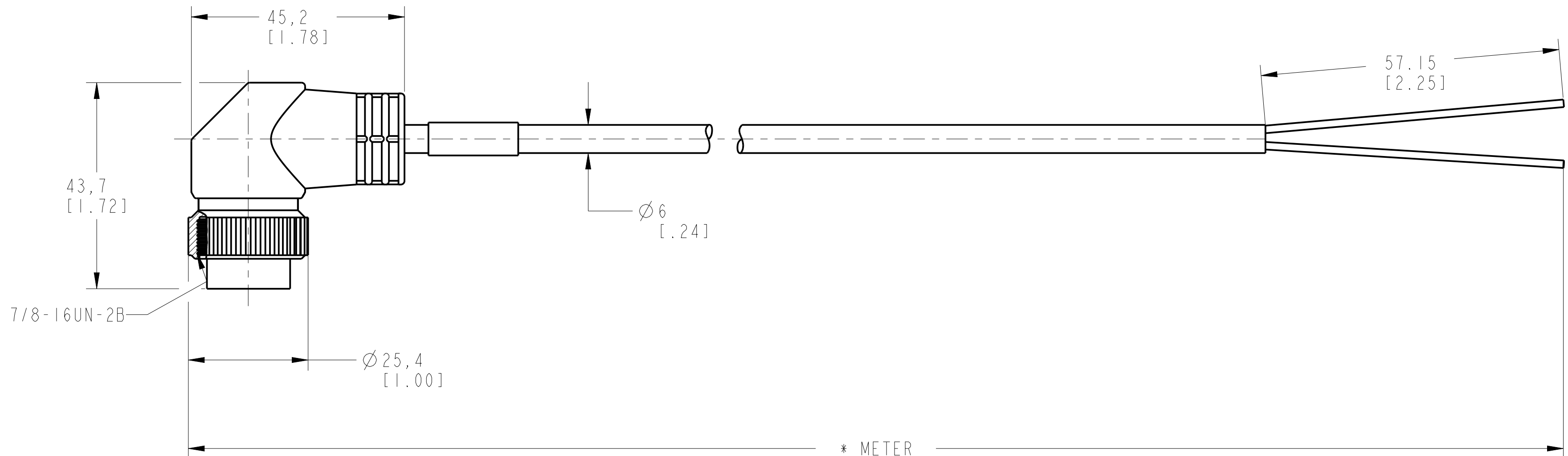
RIGHT ANGLE FEMALE END VIEW



2-PIN, 7/8-16UN 2B
RIGHT ANGLE FEMALE CONNECTOR

SPECIFICATIONS

CERTIFICATIONS	UL RECOGNIZED AND CSA CERTIFIED
COUPLING NUT MATERIAL	EPOXY-COATED ZINC
CONNECTOR OVERMOLD MATERIAL	OIL RESISTANT TPE
CONTACT PLATING	GOLD OR GOLD FLASH OVER PALLADIUM-NICKEL
CONTACT MATERIAL	BRASS OR COPPER ALLOY
CABLE TYPE	PVC, 18AWG, 300V
CABLE JACKET COLOR	GRAY
BEND RADIUS	10 X DIAMETER
NUMBER OF CONDUCTORS [AWG]	2x18 AWG
SHIELDING	UNSHIELDED
CABLE RATING	UL PLTC AWM STYLE 2661VW-1 105C 300V, CSA AWM A/B 1/II 80C 300V FTI, UV OIL AND WATER RESISTANT
INGRESS PROTECTION	NEMA 4, 6P, 12, 13; IP67; 1200 PSI WASHDOWN, IP69K
TEMPERATURE RATING	-20°... +105°C (-4°... +221°F)



* METER
SEE NOTE 1

DIMENSIONS & INFORMATION SHOWN ARE FOR REFERENCE ONLY AND FOR LATEST UPDATE PLEASE REFER <http://www.ab.com/catalogs/>

- NOTES:
 1. (*) REPRESENTS THE CABLE LENGTH IN METERS.
 2. ALL DIMENSIONS ARE IN MM [INCHES] UNLESS AND OTHERWISE SPECIFIED.

**Rockwell
Automation**

CONFIDENTIAL AND PROPRIETARY INFORMATION.
 THIS DOCUMENT CONTAINS CONFIDENTIAL AND PROPRIETARY INFORMATION OF ROCKWELL AUTOMATION, INC. AND MAY NOT BE USED, COPIED OR DISCLOSED TO OTHERS, EXCEPT WITH THE AUTHORIZED WRITTEN PERMISSION OF ROCKWELL AUTOMATION, INC.

889N-R2GEC-*

Sheet 1 Of 1

Drawn by: LNT

Date: 03/10/2014

Size	Ver
C	0.0