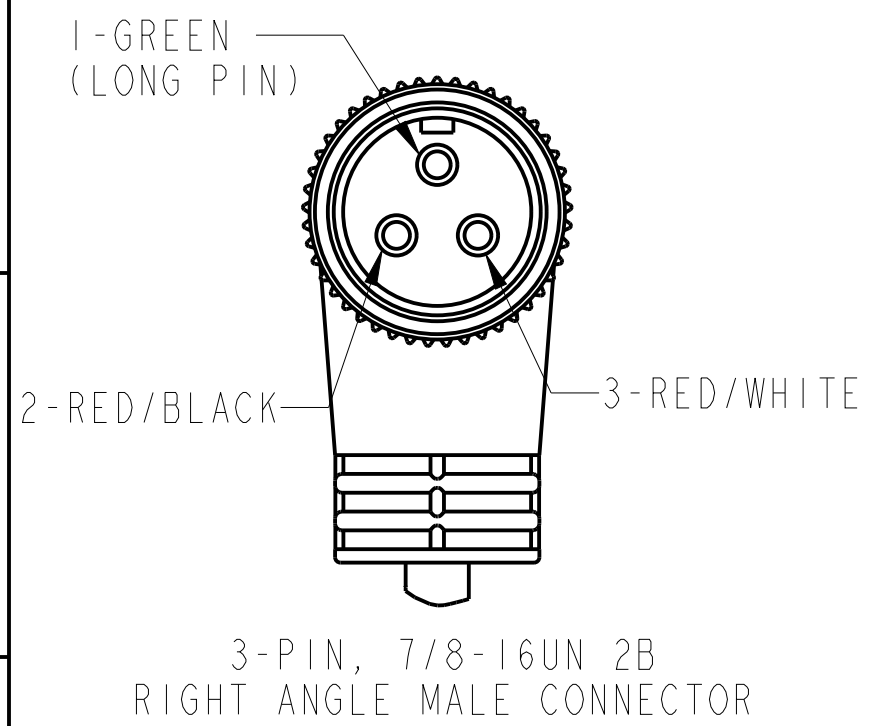
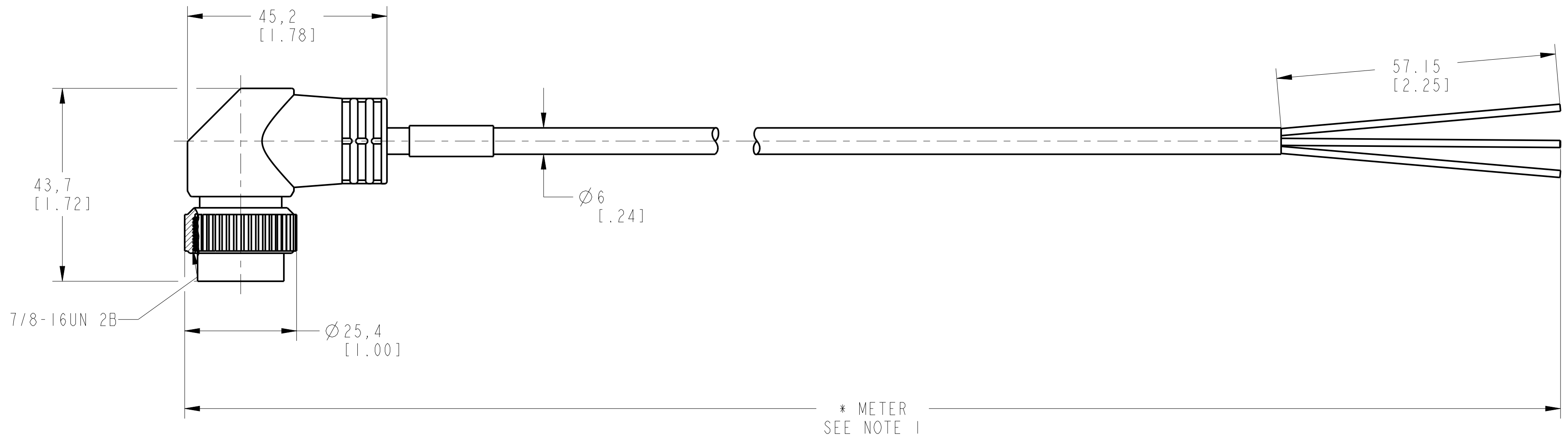


RIGHT ANGLE MALE END VIEW



SPECIFICATIONS

CERTIFICATIONS	UL RECOGNIZED AND CSA CERTIFIED
COUPLING NUT MATERIAL	EPOXY-COATED ZINC
CONNECTOR OVERMOLD MATERIAL	OIL RESISTANT TPE
CONTACT PLATING	GOLD OR GOLD FLASH OVER PALLADIUM-NICKEL
CONTACT MATERIAL	BRASS OR COPPER ALLOY
CABLE TYPE	TPE, 18AWG, 300V
CABLE JACKET COLOR	YELLOW
BEND RADIUS	10 X DIAMETER
NUMBER OF CONDUCTORS [AWG]	3x18 AWG
FLEX RATING	5 MILLION CYCLES (BASED ON 10 TIMES CABLE OD)
SHIELDING	UNSHIELDED
CABLE RATING	UL AWM STYLE 20327 VW-1 105C 300V, CSA AWM A/B 1/11 105C 300V FTI, UV OIL AND WATER RESISTANT
INGRESS PROTECTION	NEMA 4, 6P, 12, 13; IP67; 1200 PSI WASHDOWN, IP69K
TEMPERATURE RATING	-50° ... +105°C (-58° ... +221°F)



NOTES:
 1. (*) REPRESENTS THE CABLE LENGTH IN METERS.
 2. ALL DIMENSIONS ARE IN MM [INCHES] UNLESS AND OTHERWISE SPECIFIED.

DIMENSIONS & INFORMATION SHOWN ARE FOR REFERENCE ONLY AND FOR LATEST UPDATE PLEASE REFER <http://www.ab.com/catalogs/>

<p>Rockwell Automation</p>		<p>CONFIDENTIAL AND PROPRIETARY INFORMATION. THIS DOCUMENT CONTAINS CONFIDENTIAL AND PROPRIETARY INFORMATION OF ROCKWELL AUTOMATION, INC. AND MAY NOT BE USED, COPIED OR DISCLOSED TO OTHERS, EXCEPT WITH THE AUTHORIZED WRITTEN PERMISSION OF ROCKWELL AUTOMATION, INC.</p>	
		<p>Sheet 1 Of 1</p>	
<p>889N-V3HJA-*</p>		<p>Size</p>	<p>Ver</p>
<p>Drawn by: LNT</p>	<p>Date: 03/10/2014</p>	<p>C</p>	<p>889N-V3HJA-*</p>
			<p>0.0</p>