

1

2

3

4

5

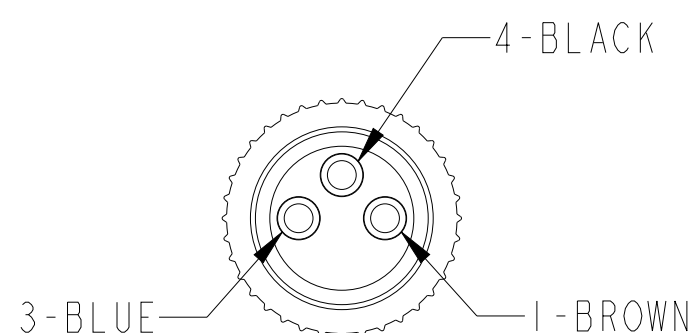
6

7

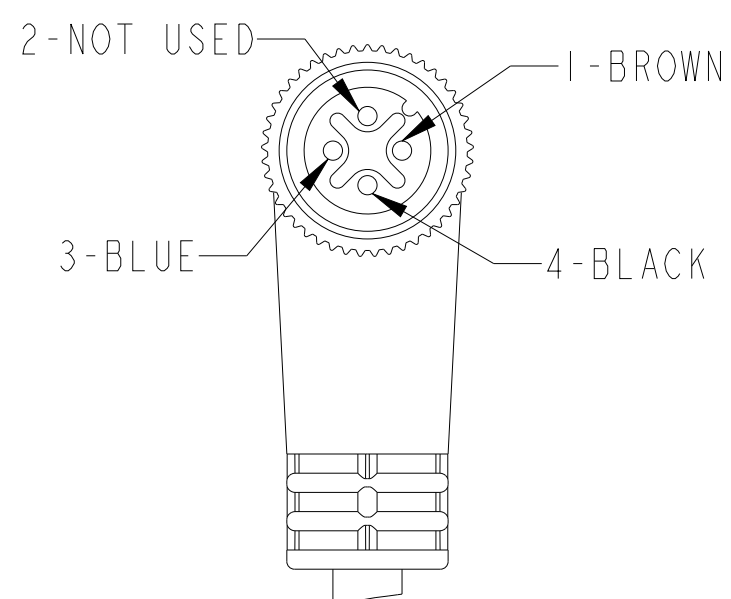
8

FEMALE END VIEW

RIGHT ANGLE MALE END VIEW



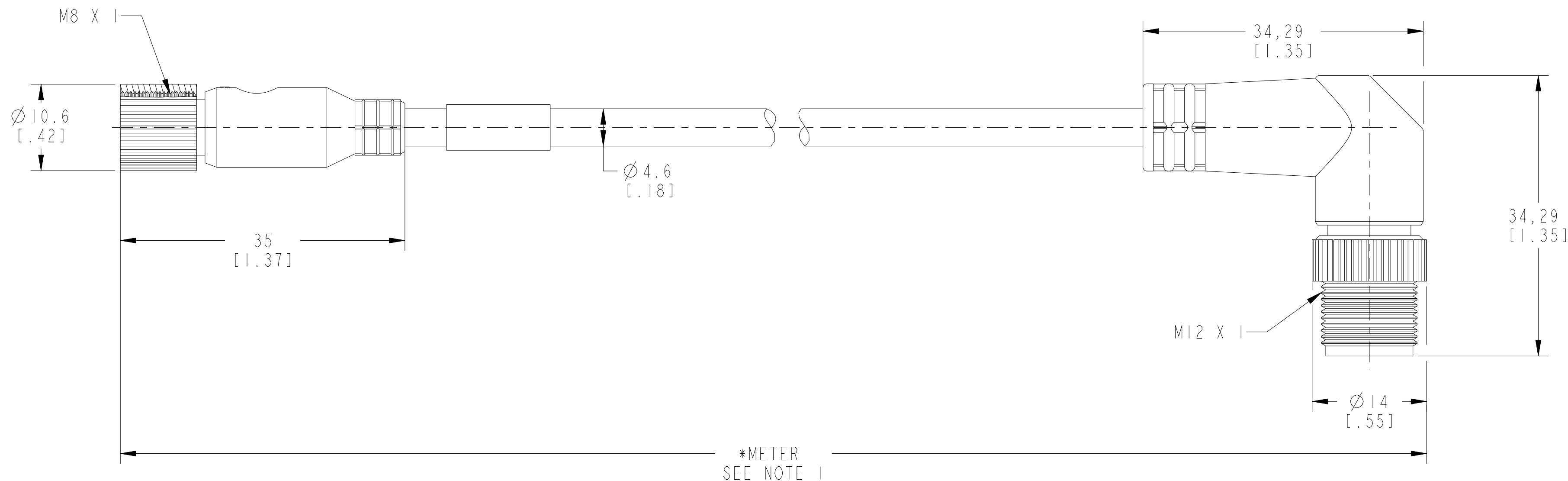
3-PIN, M8 X 1 STRAIGHT FEMALE CONNECTOR



4-PIN, M12 X 1 RIGHT ANGLE MALE CONNECTOR

SPECIFICATIONS

CERTIFICATIONS	UL RECOGNIZED AND CSA CERTIFIED
COUPLING NUT MATERIAL	DC MICRO: BLACK EPOXY-COATED ZINC, PICO: NICKEL-PLATED BRASS
CONNECTOR OVERMOLD MATERIAL	DC MICRO: MOLDED OIL-RESISTANT PUR, PICO: MOLDED OIL-RESISTANT TPE
CONTACT PLATING	GOLD OVER NICKEL-PLATED BRASS
CONTACT MATERIAL	BRASS OR COPPER ALLOY
CABLE TYPE	PVC, 24AWG, 300V
CABLE JACKET COLOR	YELLOW
BEND RADIUS	10 X DIAMETER
NUMBER OF CONDUCTORS [AWG]	3X24 AWG (PICO FEMALE), 4X24 AWG (MICRO MALE)
SHIELDING	UNSHIELDED
CABLE RATING	UL CM AWM STYLE 2661 VW-1 105°C 300V, CSA AWM A/B 1/11 105°C 300V FT1
INGRESS PROTECTION	IP67
TEMPERATURE RATING	-20° ... +105°C (-4° ... +221°F)



*METER SEE NOTE 1

DIMENSIONS & INFORMATION SHOWN ARE FOR REFERENCE ONLY AND FOR LATEST UPDATE PLEASE REFER <http://www.ab.com/catalogs/>

- NOTES:
 1. (*) REPRESENTS THE CABLE LENGTH IN METERS.
 2. ALL DIMENSIONS ARE IN MM [INCHES] UNLESS AND OTHERWISE SPECIFIED.

		<small>CONFIDENTIAL AND PROPRIETARY INFORMATION. THIS DOCUMENT CONTAINS CONFIDENTIAL AND PROPRIETARY INFORMATION OF ROCKWELL AUTOMATION, INC. AND MAY NOT BE USED, COPIED OR DISCLOSED TO OTHERS, EXCEPT WITH THE AUTHORIZED WRITTEN PERMISSION OF ROCKWELL AUTOMATION, INC.</small>	
		Sheet 1 Of 1	
889P-F3ABD4E-*		Size	Ver
Drawn by: LNT Date: 05-18-2015		C	889P-F3ABD4E-*
			0.0