

Control Power Trunk and Drop Cables

6-pin/5-used 16 AWG, STOOW PVC

Trunk & Drop Cables



Specifications

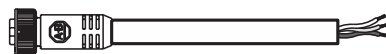
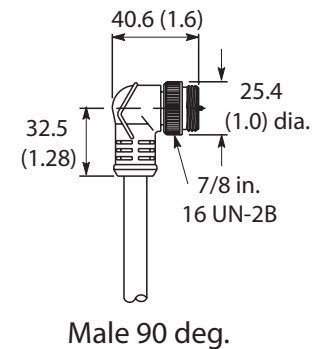
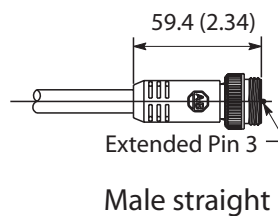
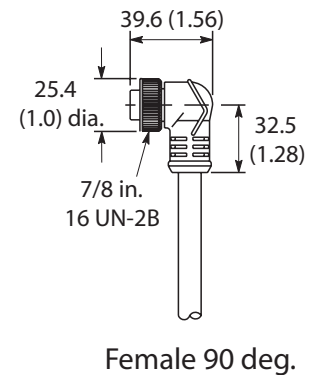
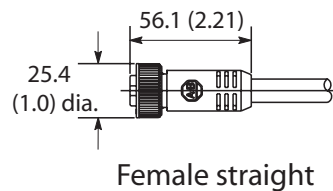
Mechanical	
Coupling Nut	Black epoxy coated zinc
Overmold	Red Riteflex TPE
Insert	Yellow Riteflex TPE
Contacts	Brass / gold over palladium Nickel
Cable	Grey PVC, 16 AWG, dual rated UL TC/Open Wiring and STOOW
Cable Diameter	0.775 in. +/- 0.12 in. (19.68 mm +/- 0.5 mm)
Electrical	
Cable Rating	UL Type TC 600V 90 °C Dry 75 °C Wet, Open Wiring or MTW 600V 90 °C or STOOW 105 °C 600V - CSA STOOW 600V FT2
Assembly Rating	600V, 10 A
Environmental	
Enclosure Type Rating	IP67, NEMA 6P, 1200 psi washdown
Operating Temperature	-20...90°C (-4...194°F)

Features

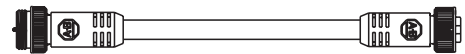
- 6-pin/5-used configuration to prevent mis-wiring with network connectors
- One piece molded design
- 16 AWG exposed run (ER) rated cable
- Red overmolds to indicate presence of E-stop wiring

Dimensions—mm (inches)

Dimensions are approximate. Illustrations are not drawn to scale.





Example of Cordset



Example of Patchcord

Pinout and Color Code

	Face View Pinout 6-pin/5-used	
	 <p>Female</p>	 <p>Male</p>
Color Code	1 Red 2 Black 3 Green	4 Blank/Not Used 5 Blue 6 White

Product Selection

Cordsets

Pin Count	Assembly Rating	Cat. No.			
		Straight Female	Right-Angle Female	Straight Male	Right-Angle Male
6-Pin/5-used	16 AWG 600V 10 A	889N-F65GF-*	889N-R65GF-*	889N-M65GF-*	889N-E65GF-*

* Replace symbol with length in meters (2, 5, or 10 standard)

Patchcords

Pin Count	Assembly Rating	Cat. No.			
		Straight Female Straight Male	Right-Angle Female Straight Male	Straight Female Right-Angle Male	Right-Angle Female Right-Angle Male
6-Pin/5-used	16 AWG 600V 10 A	889N-F65GFNM-*	889N-R65GFNM-*	889N-F65GFNE-*	889N-R65GFNE-*

* Replace symbol with length in meters (1, 2, 3, 5, or 10 standard)