

1

2

3

4

5

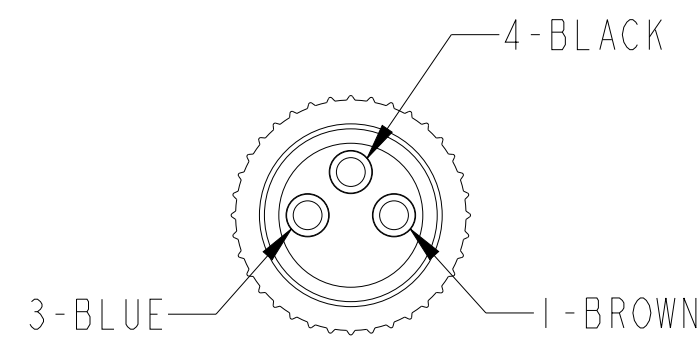
6

7

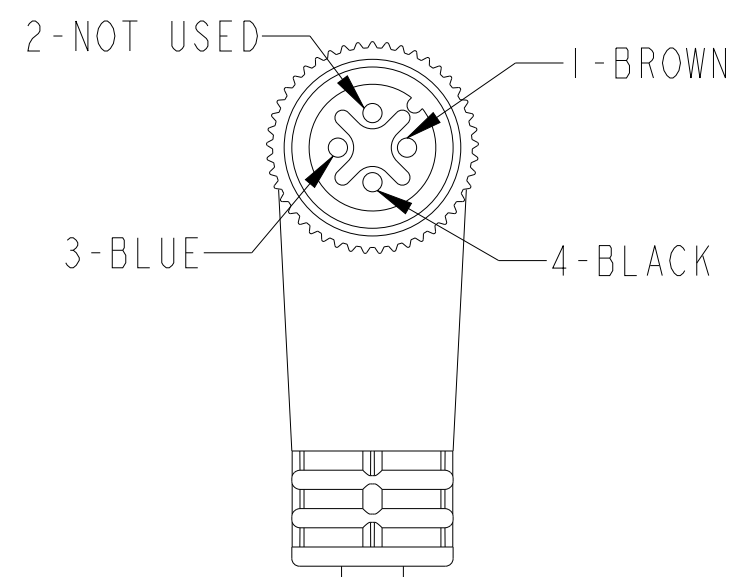
8

FEMALE END VIEW

RIGHT ANGLE MALE END VIEW



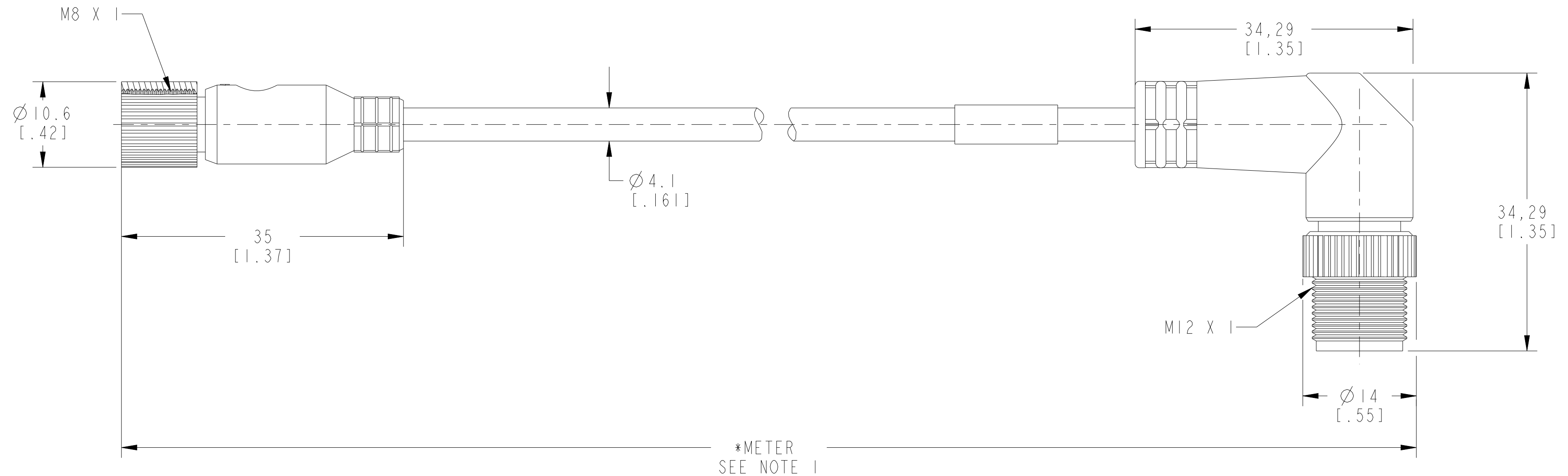
3-PIN, M8 X 1 STRAIGHT FEMALE CONNECTOR



4-PIN, M12 X 1 RIGHT ANGLE MALE CONNECTOR

SPECIFICATIONS

CERTIFICATIONS	UL RECOGNIZED AND CSA CERTIFIED
COUPLING NUT MATERIAL	DC MICRO: BLACK EPOXY-COATED ZINC, PICO: NICKEL-PLATED BRASS
CONNECTOR OVERMOLD MATERIAL	DC MICRO: MOLDED OIL-RESISTANT PUR, PICO: MOLDED OIL-RESISTANT TPE
CONTACT PLATING	GOLD OVER NICKEL-PLATED BRASS
CONTACT MATERIAL	BRASS OR COPPER ALLOY
CABLE TYPE	PUR, 24AWG, 300V
CABLE JACKET COLOR	BLACK
BEND RADIUS	10 X DIAMETER
NUMBER OF CONDUCTORS [AWG]	3X24 AWG (PICO FEMALE), 4X24 AWG (MICRO MALE)
SHIELDING	UNSHIELD HALOGEN-FREE
CABLE RATING	UL AWM STYLE 20233, 21198 OR 10493 80°C 300V FT2
INGRESS PROTECTION	IP67
TEMPERATURE RATING	-20°...+80°C (-4°...+176°F)



*METER SEE NOTE 1

DIMENSIONS & INFORMATION SHOWN ARE FOR REFERENCE ONLY AND FOR LATEST UPDATE PLEASE REFER <http://www.ab.com/catalogs/>

- NOTES:
- (*) REPRESENTS THE CABLE LENGTH IN METERS.
 - ALL DIMENSIONS ARE IN MM [INCHES] UNLESS AND OTHERWISE SPECIFIED.

		<small>CONFIDENTIAL AND PROPRIETARY INFORMATION. THIS DOCUMENT CONTAINS CONFIDENTIAL AND PROPRIETARY INFORMATION OF ROCKWELL AUTOMATION, INC. AND MAY NOT BE USED, COPIED OR DISCLOSED TO OTHERS, EXCEPT WITH THE AUTHORIZED WRITTEN PERMISSION OF ROCKWELL AUTOMATION, INC.</small>	
		Sheet 1 Of 1	
889P-F3JBD4E-*		Size	Ver
Drawn by: LNT Date: 05-20-2015		C	889P-F3JBD4E-** 0.0