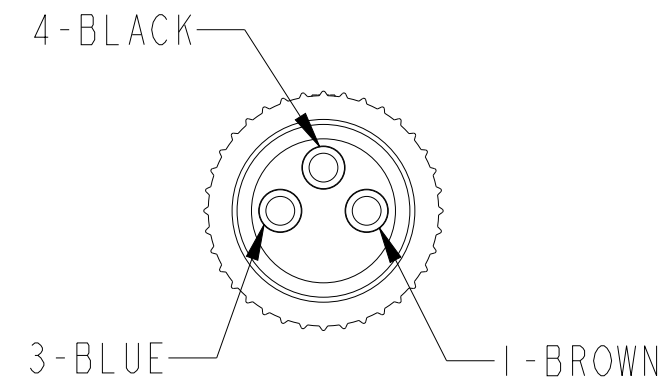
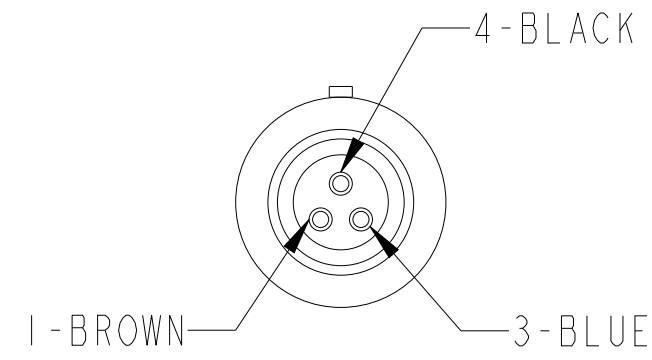


1                      2                      3                      4                      5                      6                      7                      8

MALE END VIEW

FEMALE END VIEW

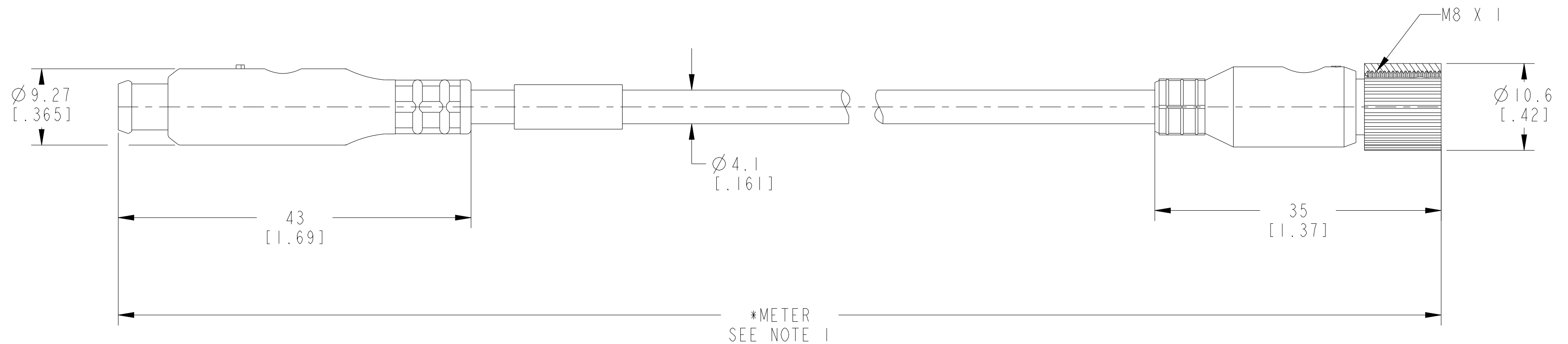


3-PIN, M8 X 1  
STRAIGHT MALE CONNECTOR

3-PIN, M8 X 1  
STRAIGHT FEMALE CONNECTOR

SPECIFICATIONS

CERTIFICATIONS	UL RECOGNIZED AND CSA CERTIFIED
COUPLING NUT MATERIAL	NICKEL PLATED BRASS
CONNECTOR OVERMOLD MATERIAL	MOLDED OIL-RESISTANT TPE
CONTACT PLATING	GOLD OVER NICKEL-PLATED BRASS
CONTACT MATERIAL	BRASS OR COPPER ALLOY
CABLE TYPE	PUR, 24AWG, 300V
CABLE JACKET COLOR	BLACK
BEND RADIUS	10 X DIAMETER
NUMBER OF CONDUCTORS [AWG]	3X24 AWG (PICO MALE), 3X24 AWG (PICO FEMALE)
SHIELDING	UNSHIELD HALOGEN-FREE
CABLE RATING	UL AWM STYLE 20233, 21198 OR 10493 80°C 300V FT2
INGRESS PROTECTION	SCREW-TYPE: IP67; SNAP-ON TYPE: IP65
TEMPERATURE RATING	-20°...+80°C (-4°...+176°F)



DIMENSIONS & INFORMATION SHOWN ARE FOR REFERENCE ONLY AND FOR LATEST UPDATE PLEASE REFER <http://www.ab.com/catalogs/>

NOTES:  
1. (\*) REPRESENTS THE CABLE LENGTH IN METERS.  
2. ALL DIMENSIONS ARE IN MM [INCHES] UNLESS AND OTHERWISE SPECIFIED.

**Rockwell  
Automation**

CONFIDENTIAL AND PROPRIETARY INFORMATION.  
THIS DOCUMENT CONTAINS CONFIDENTIAL AND PROPRIETARY INFORMATION OF ROCKWELL AUTOMATION, INC. AND MAY NOT BE USED, COPIED OR DISCLOSED TO OTHERS, EXCEPT WITH THE AUTHORIZED WRITTEN PERMISSION OF ROCKWELL AUTOMATION, INC.

889P-F3JBPG-\*

Sheet 1 Of 1

Drawn by: LNT

Date: 05-15-2015

Size  
**C**

**889P-F3JBPG-\***

Ver  
**0.0**