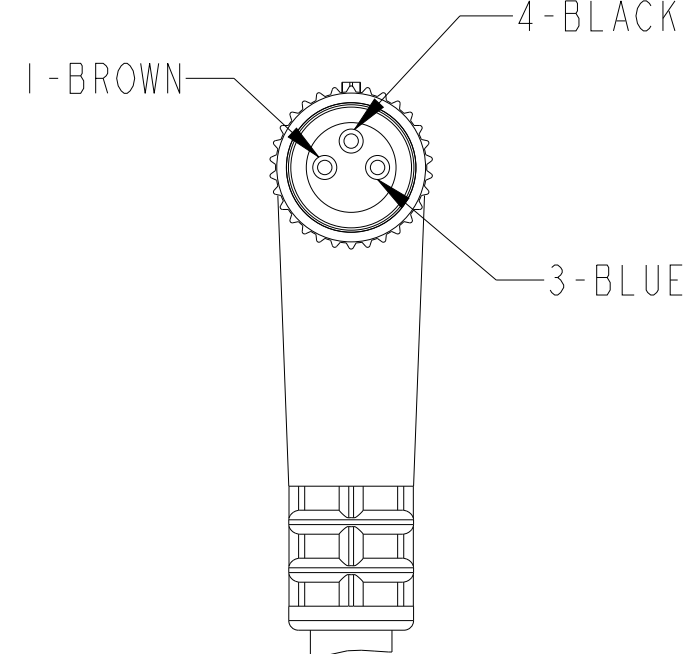
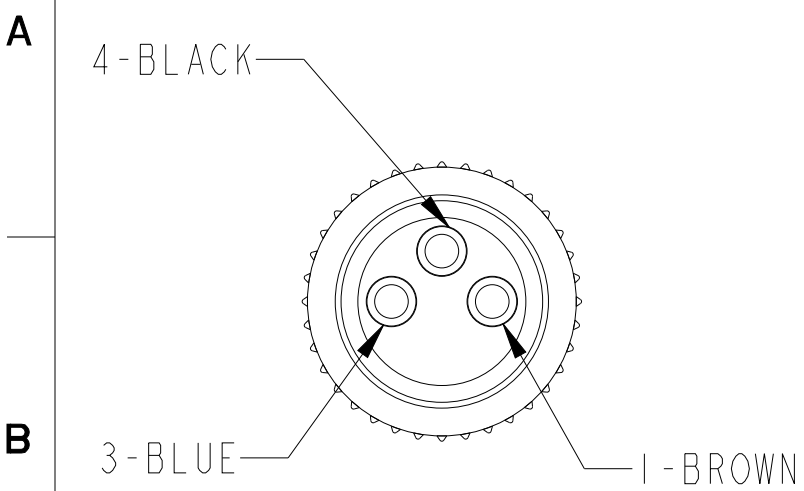


1 2 3 4 5 6 7 8

FEMALE END VIEW

RIGHT ANGLE MALE END VIEW

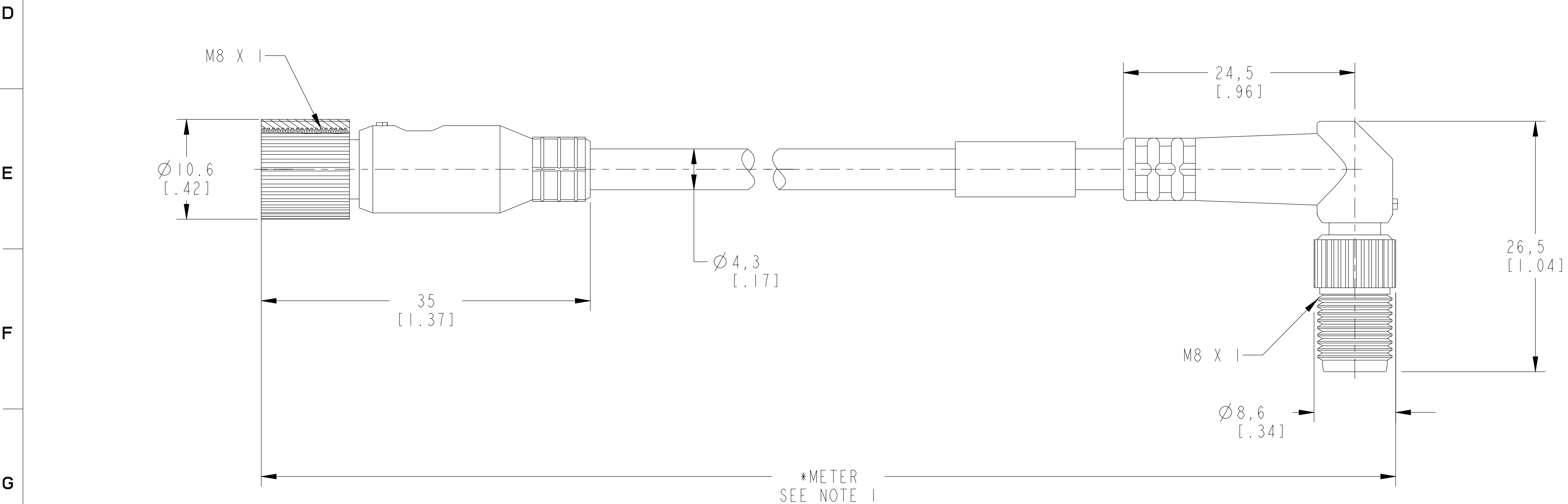
SPECIFICATIONS



3-PIN M8 X 1
STRAIGHT FEMALE CONNECTOR

3-PIN, M8 X 1
RIGHT ANGLE MALE CONNECTOR

CERTIFICATIONS	UL RECOGNIZED AND CSA CERTIFIED
COUPLING NUT MATERIAL	NICKEL-PLATED BRASS
CONNECTOR OVERMOLD MATERIAL	OIL-RESISTANT PUR
CONTACT PLATING	GOLD OVER NICKEL-PLATED BRASS
CONTACT MATERIAL	BRASS OR COPPER ALLOY
CABLE TYPE	PUR, 24AWG, 300V
CABLE JACKET COLOR	YELLOW
BEND RADIUS	10 X DIAMETER
NUMBER OF CONDUCTORS [AWG]	3X24 AWG (PICO FEMALE), 3X24 AWG (PICO MALE)
SHIELDING	UNSHIELDED
CABLE RATING	UL AWM STYLE 20233 OR 20549 80C 300V
INGRESS PROTECTION	IP67
TEMPERATURE RATING	-20°...+80°C (-4°...+176°F)



*METER
SEE NOTE 1

DIMENSIONS & INFORMATION SHOWN ARE FOR REFERENCE ONLY AND FOR LATEST UPDATE PLEASE REFER <http://www.ab.com/catalogs/>

NOTES:
1. (*) REPRESENTS THE CABLE LENGTH IN METERS.
2. ALL DIMENSIONS ARE IN MM [INCHES] UNLESS AND OTHERWISE SPECIFIED.

		<small>CONFIDENTIAL AND PROPRIETARY INFORMATION. THIS DOCUMENT CONTAINS CONFIDENTIAL AND PROPRIETARY INFORMATION OF ROCKWELL AUTOMATION, INC. AND MAY NOT BE USED, COPIED OR DISCLOSED TO OTHERS, EXCEPT WITH THE AUTHORIZED WRITTEN PERMISSION OF ROCKWELL AUTOMATION, INC.</small>	
		Sheet 1 Of 1	
889P-F3UBPE-*		Size C	Ver 0.0
Drawn by: LNT	Date: 03-10-2015		