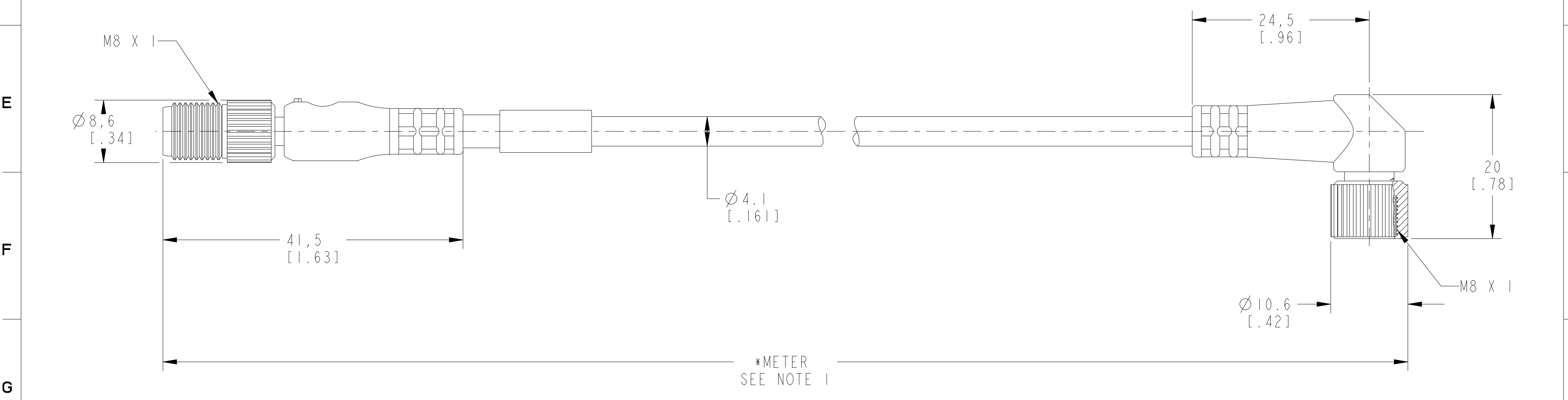


| SPECIFICATIONS              |  |
|-----------------------------|--|
| CERTIFICATIONS              | UL RECOGNIZED AND CSA CERTIFIED              |
| COUPLING NUT MATERIAL       | NICKEL-PLATED BRASS                          |
| CONNECTOR OVERMOLD MATERIAL | OIL-RESISTANT PUR                            |
| CONTACT PLATING             | GOLD OVER NICKEL-PLATED BRASS                |
| CONTACT MATERIAL            | BRASS OR COPPER ALLOY                        |
| CABLE TYPE                  | PUR, 24AWG, 300V                             |
| CABLE JACKET COLOR          | BLACK  |
| BEND RADIUS                 | 10 X DIAMETER                                |
| NUMBER OF CONDUCTORS [AWG]  | 3X24 AWG (PICO MALE), 3X24 AWG (PICO FEMALE) |
| SHIELDING                   | UNSHIELD HALOGEN-FREE                        |
| CABLE RATING                | UL AWM STYLE 20233 OR 20549 80C 300V         |
| INGRESS PROTECTION          | IP67   |
| TEMPERATURE RATING          | -20...+80°C (-4...+176°F)                    |



DIMENSIONS & INFORMATION SHOWN ARE FOR REFERENCE ONLY AND FOR LATEST UPDATE PLEASE REFER <http://www.ab.com/catalogs/>

NOTES:  
 1. (\*) REPRESENTS THE CABLE LENGTH IN METERS.  
 2. ALL DIMENSIONS ARE IN MM [INCHES] UNLESS AND OTHERWISE SPECIFIED.

|               |                  |  |     |
|---------------|------------------|--|-----|
|               |                  | <small>CONFIDENTIAL AND PROPRIETARY INFORMATION. THIS DOCUMENT CONTAINS CONFIDENTIAL AND PROPRIETARY INFORMATION OF ROCKWELL AUTOMATION, INC. AND MAY NOT BE USED, COPIED OR DISCLOSED TO OTHERS, EXCEPT WITH THE AUTHORIZED WRITTEN PERMISSION OF ROCKWELL AUTOMATION, INC.</small> |     |
|               |                  | Sheet 1 Of 1   |     |
| 889P-R3JBPM-* |                  | Size   | Ver |
| C             |                  | 889P-R3JBPM-*  | 0.0 |
| Drawn by: LNT | Date: 03-16-2015 |  |     |