

FIG. 1

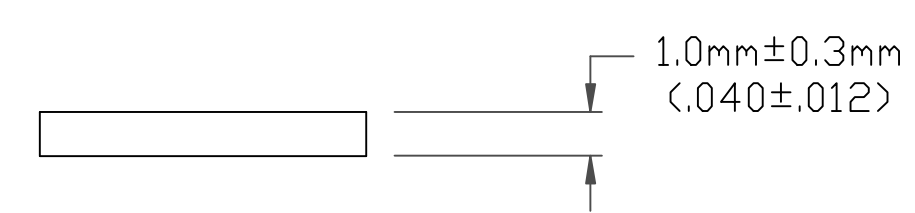
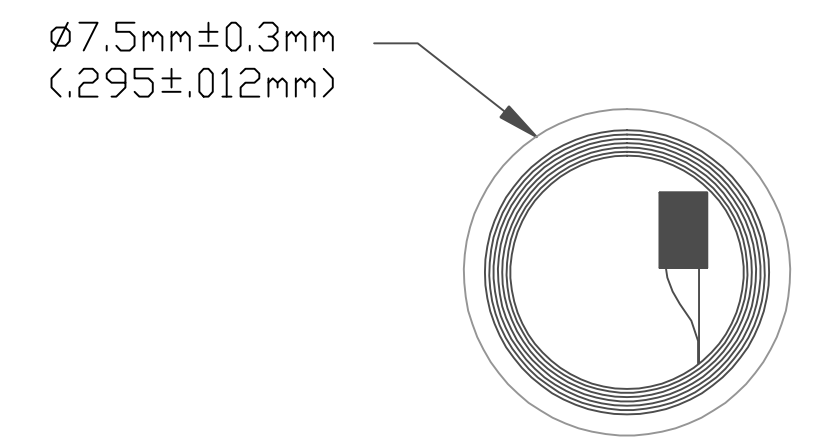
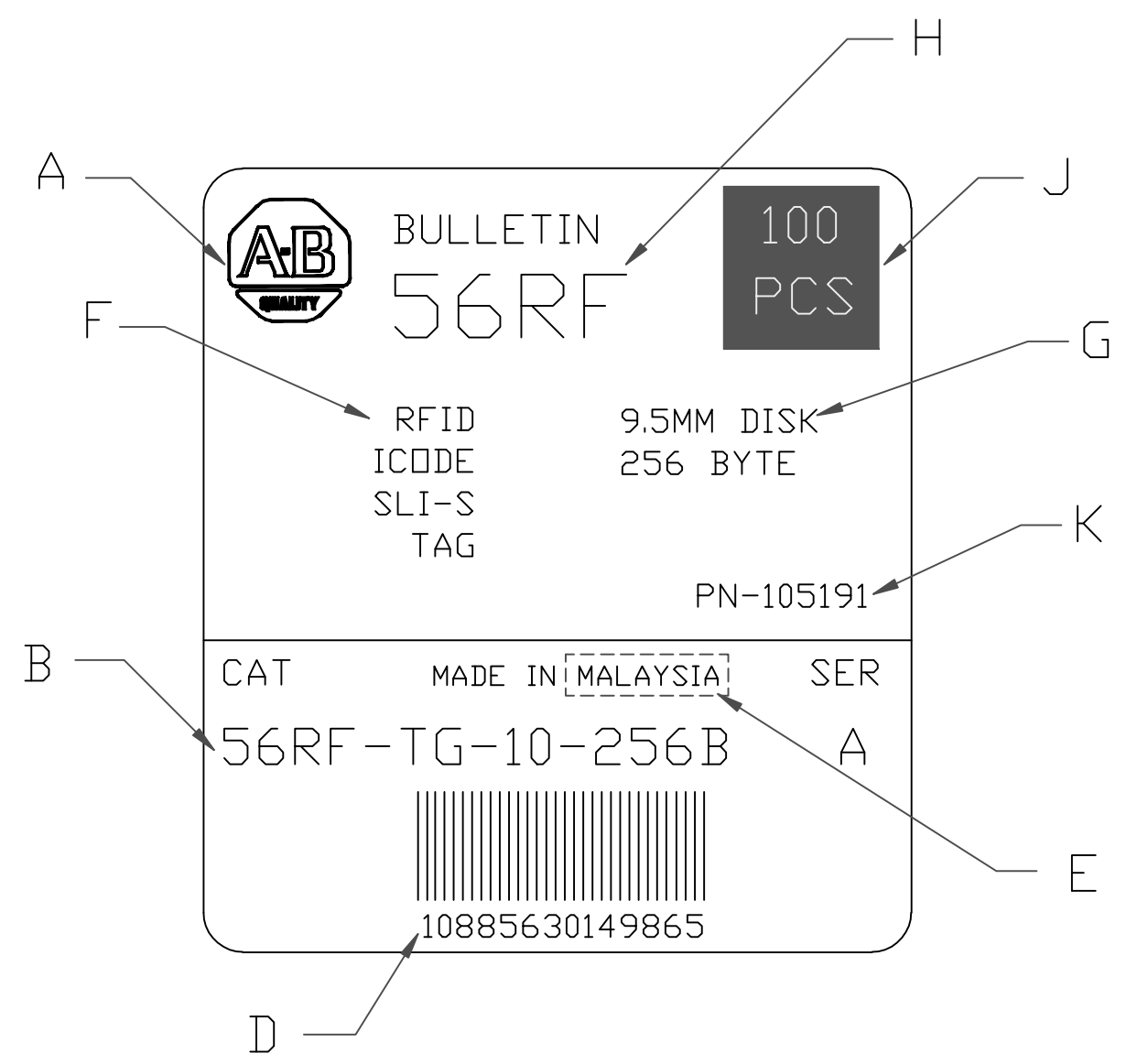


FIG. 2



PACKING LABEL

PACKING LABEL NOTES:

1. PACKING INFORMATION: PRODUCT TO BE SUPPLIED WITH REQUIRED INFORMATION, CLEARLY LEGIBLE. BLACK PRINTING ON A WHITE BACKGROUND. SEE DIAGRAM AND EXPLANATIONS.
- A. ALLEN-BRADLEY LOGO: PER DRAWING 40028-500
- B. CATALOG AND SERIES: (SEE CHART)
- D. BARCODE: (INTERLEAF 2 OF 5, 14 CHARACTERS, WITH HUMAN READABLE BELOW SEE CHART)
- E. MADE IN (COUNTRY OF ORIGIN) ALT. ASSEMBLED IN (COUNTRY OF ORIGIN).
- F. PRIMARY INFORMATION (SEE CHART)
- G. SECONDARY INFORMATION (SEE CHART)
- H. BULLETIN CHANGES ACCORDING TO CATALOG.
- J. QUANTITY OF PIECES SUPPLIED SEE NOTE 6 & (SEE CHART)
- K. MATERIAL MASTER (SEE CHART)

NOTES:

1. VENDOR: HID #1010248
2. TAG TO BE TRANSPARENT YELLOW IN COLOR.
3. TAGS TO BE PACKAGED IN A SUITABLE BAG AND MARKED PER PACKING LABEL AND NOTES SHOWN. BAGS TO BE PACKAGED IN A SUITABLE CARTON FOR SHIPPING PURPOSE AND MARKED WITH SAME PACKING LABEL INFO WITH APPROPRIATE QTY. INDICATED.
4. VENDORS NAME OR LOGO NOT TO APPEAR ON THE TAG OR PACKING.
5. PARTS MUST CONFORM TO ROCKWELL AUTOMATION ENVIRONMENTAL SPECIFICATION 970-20-01
6. CATALOG AND BARCODE SHOWN REPRESENTS 1 TAG. QTY SHOWN IN CHART AND ON PACKING LABEL REPRESENTS QTY OF UNITS PACKED IN BAG.

CLASSIFICATION TABLE				
P	F	A	X	
P = PERFORMANCE, F = FIT, A = ASSEMBLY (USE ONLY WITH $\diamond$ SYMBOL)				
X = IDENTIFIES APPLICABLE CLASSIFICATIONS				
$\diamond$ = REQUIRED BY ENGINEERING AND/OR MANUFACTURING				
$\textcircled{R}$ = STRICT CONFORMANCE TO SPECIFICATION REQUIRED AND IS NOT NEGOTIABLE (MAY BE REQUIRED BY REGULATORY AGENCY)				
CHARACTERISTIC OR DIMENSION	$\diamond$	$\diamond$	$\diamond$	$\textcircled{R}$
NOTE 5				X

PN-183287	56RF-TG-10	A	629190-001	25	1	RFID ICODE SLI TAG	9.5mm DISK 128 BYTE	00885630401034
PN-183279	56RF-TG-8	A	629191-001	25	2	RFID ICODE SLI TAG	7.5mm DISK 128 BYTE	00885630400990
PN-105191	56RF-TG-10-256B	A	670190-001	100	1	RFID ICODE SLI-S TAG	9.5mm DISK 256 BYTE	10885630149865
MATERIAL MASTER	CATALOG #	SERIES	REF. HID #	QTY	FIG	PRIMARY INFORMATION	SECONDARY INFORMATION	BARCODE

		<small>CONFIDENTIAL AND PROPRIETARY INFORMATION. THIS DOCUMENT CONTAINS CONFIDENTIAL AND PROPRIETARY INFORMATION OF ROCKWELL AUTOMATION, INC. AND MAY NOT BE USED, COPIED OR DISCLOSED TO OTHERS, EXCEPT WITH THE AUTHORIZED WRITTEN PERMISSION OF ROCKWELL AUTOMATION, INC.</small>	
		Sheet 1 of 1	Ver 02
RFID, iCode SLI-S Piccolino Tag		Size D	10000162952
Drawn by: RAFORTIE	Date: 03/18/2013		