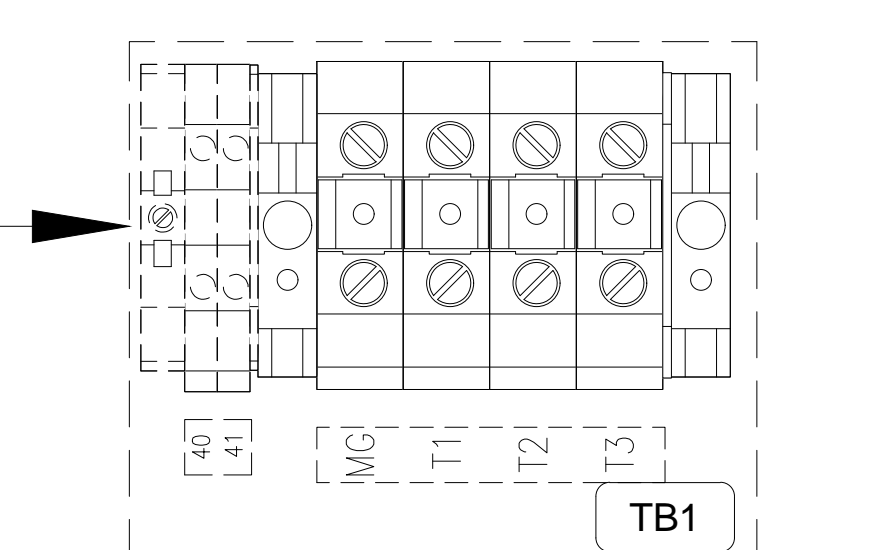
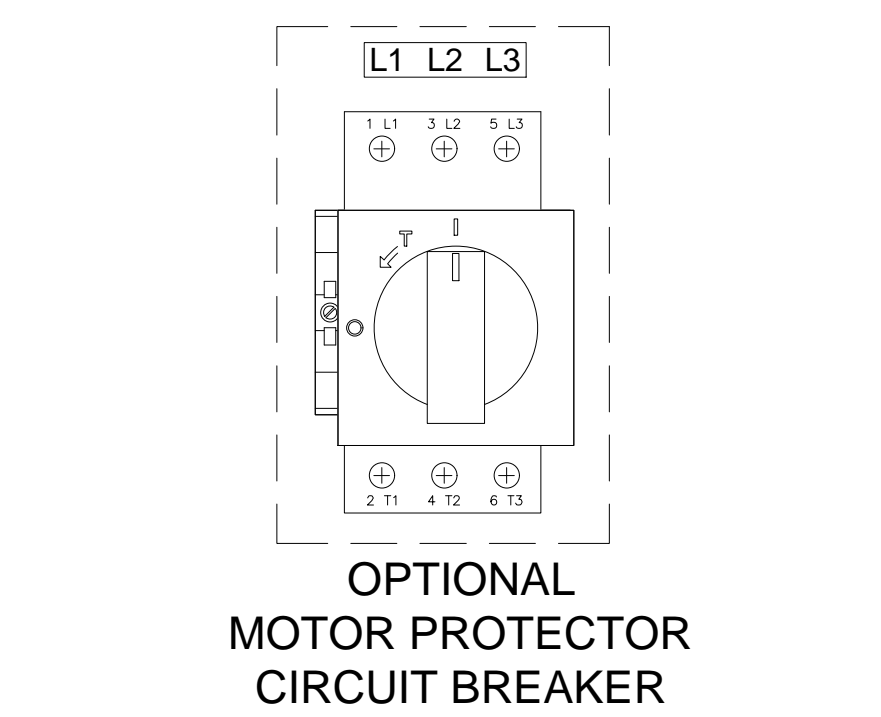
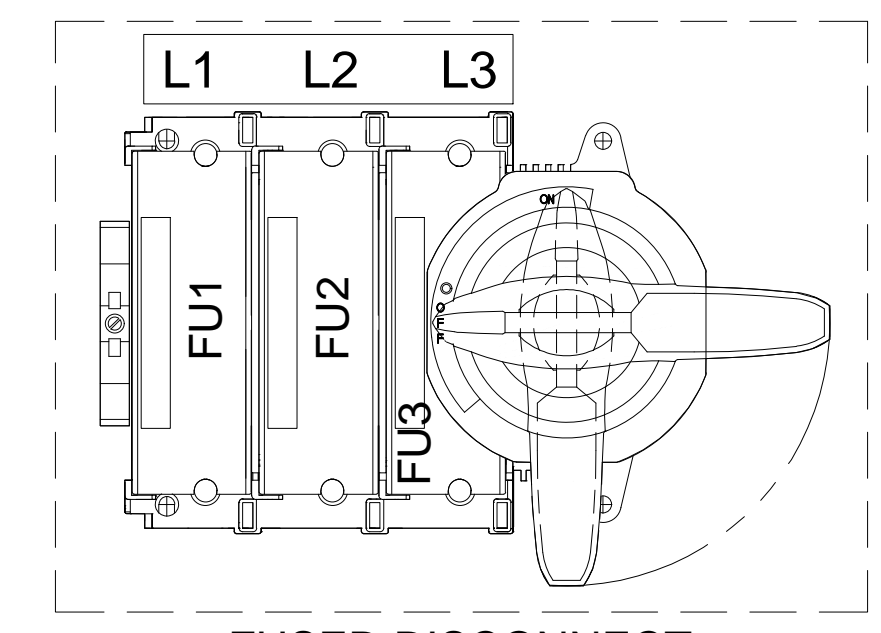
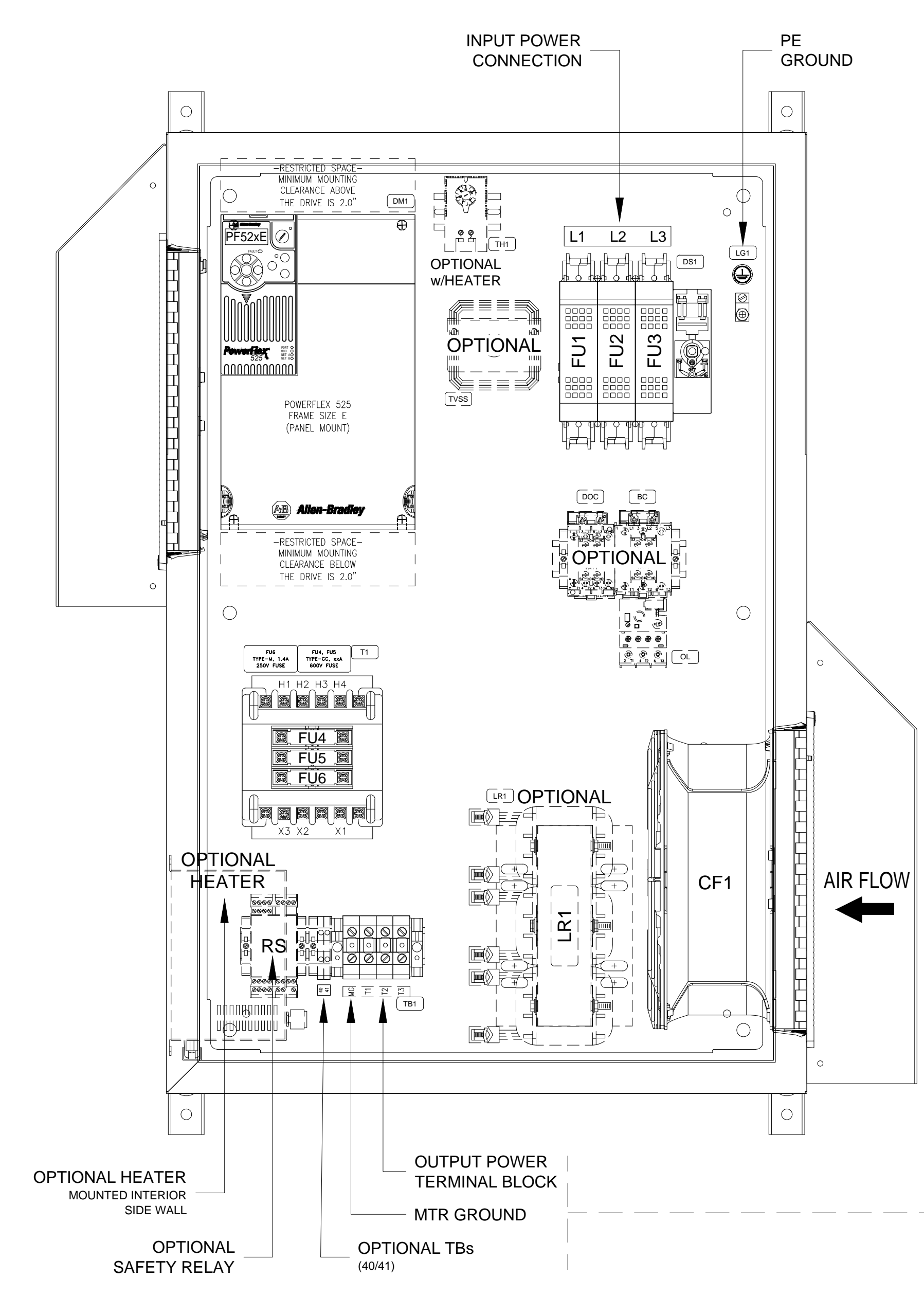
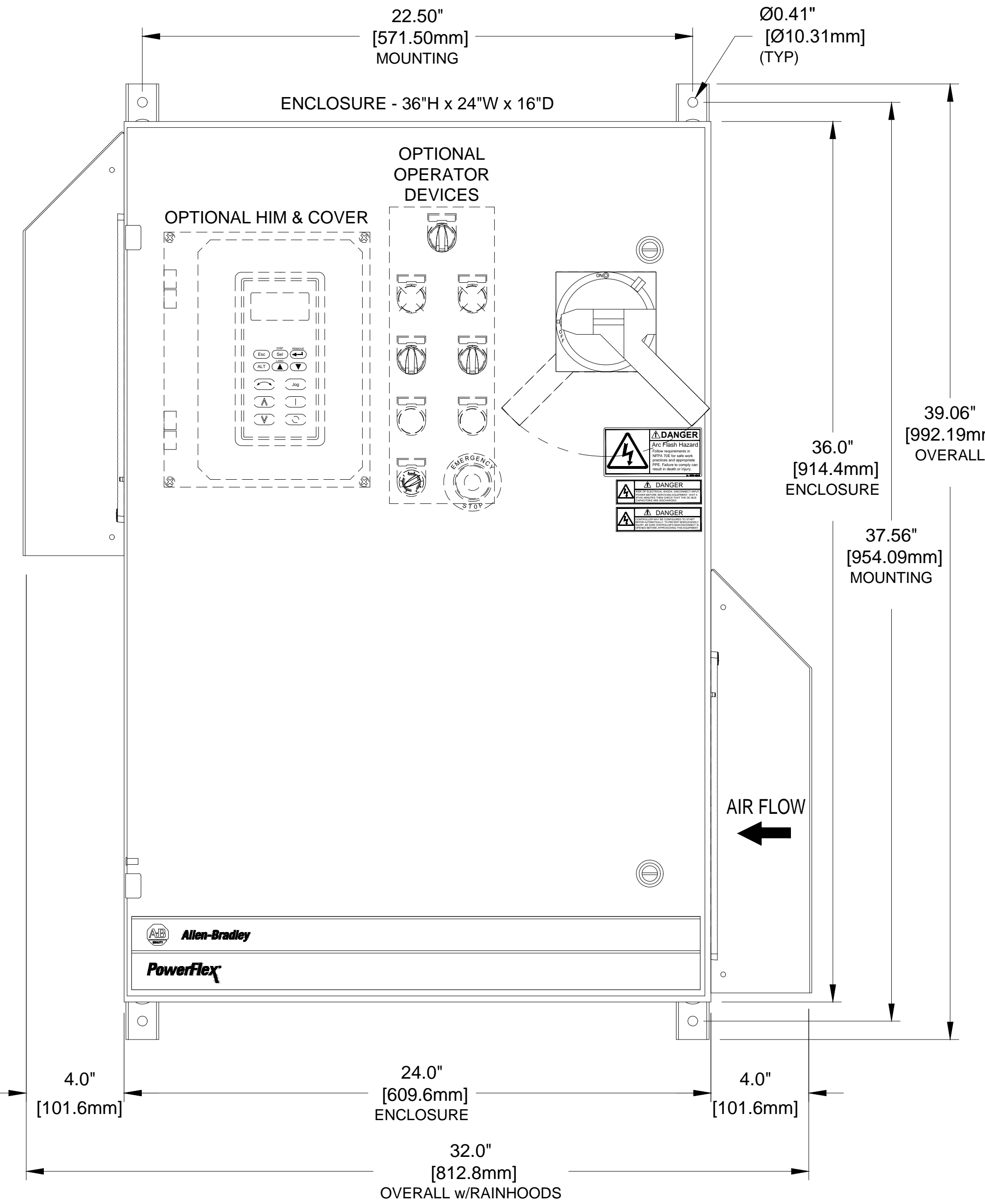
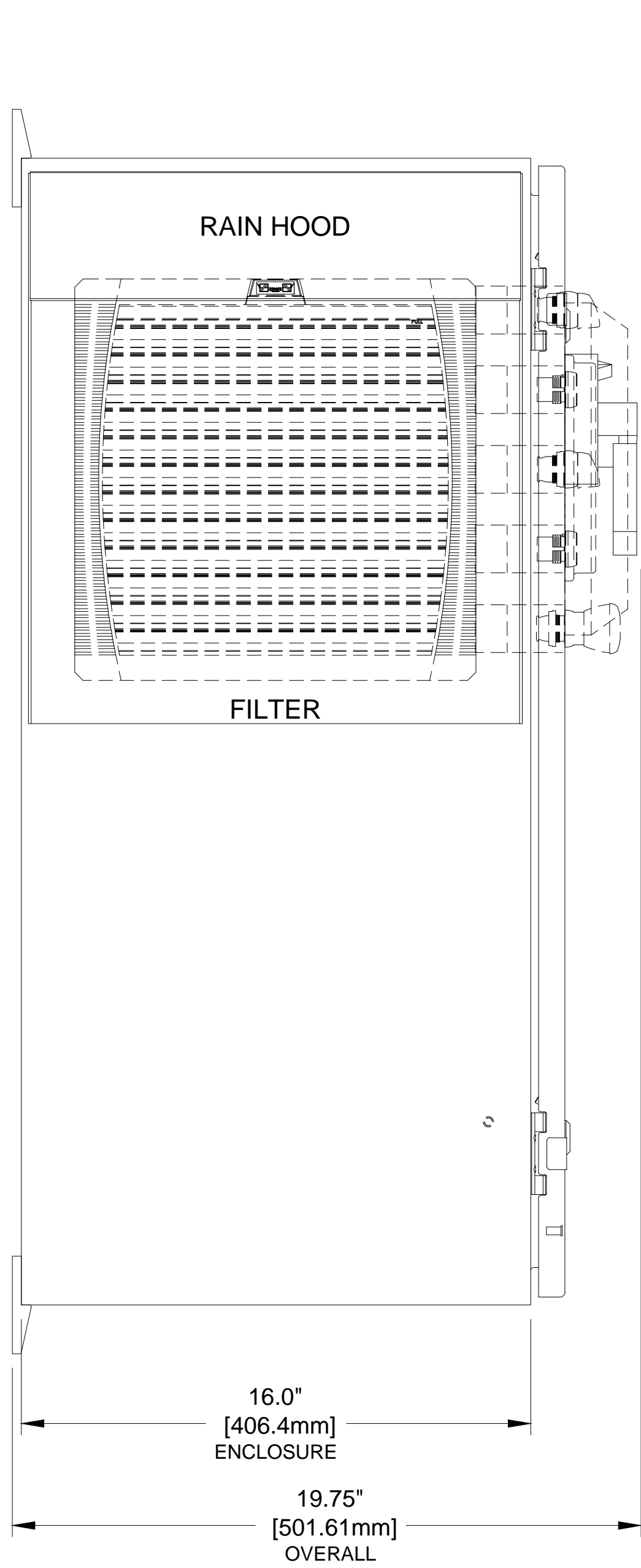


DRIVE FRAME — E		
INPUT VOLTAGE & PHASE	DRIVE HORSEPOWER	DRIVE OUTPUT AMPS
240V 3 PHASE	15.0 HP	48.3 A
	20.0 HP (ND) 15.0 HP (HD)	62.1 A
480V 3 PHASE	25.0 HP (ND)	37.0 A
	20.0 HP (HD)	43.0 A
	30.0 HP (ND) 25.0 HP (HD)	43.0 A
600V 3 PHASE	25.0 HP (ND)	27.0 A
	30.0 HP (ND)	32.0 A
	18.5 HP (HD)	32.0 A



FRONT VIEW (SHOWN WITHOUT DOOR)

FUSED DISCONNECT SHOWN  
240VAC @ 15HP-20HP (ND/HD)  
480VAC @ 30HP (ND)

THIS OUTLINE DRAWING IS SHOWN WITH ALL AVAILABLE OPTIONS  
THE PRODUCT PURCHASED MAY NOT HAVE THESE OPTIONS INSTALLED

DATE	BY	APPROVAL
09 JUL 21	DRS	DESIGN REVIEW
		FOR MANUFACTURING
		AS SHIPPED
		AS COMMISSIONED

REV.	DATE	BY	ECN/CR. NO.
001	09 JUL 21	KAP	AS ISSUED



<p>THIS DRAWING IS THE PROPERTY OF ROCKWELL AUTOMATION, INC. OR ITS SUBSIDIARIES AND MAY NOT BE COPIED, USED OR DISCLOSED FOR ANY PURPOSE EXCEPT AS AUTHORIZED IN WRITING BY ROCKWELL AUTOMATION, INC.</p> <p>TITLE OUTLINE &amp; COMPONENT LAYOUT, PF523/525, FRAME-E, NEMA-4 &amp; 4X, 3-PHASE ALL PRODUCT OPTIONS SHOWN; 2-CONTACTOR BYPASS, 5% LINE REACTOR HEATER (w/THERMOSTAT), SURGE SUPPRESSOR, DOOR HIM/COVER &amp; OPERATOR DEVICES</p>			
DR. BY KAP/ACI DATE 25 JUN 21	CHK. BY DRS/ACI DATE 06/25/21	ENG. DRS/ACI DATE 06/25/21	DWG. NO.
95D04947		NEXT SH.	SH. NO.
			1

PLOT DATE=TIME: Jan 18, 2023 4:56pm