

DATE: _____ BY: _____
 DESIGN REVIEW: _____
 FOR MANUFACTURING: _____
 AS SHIPPED: _____
 AS COMMISSIONED: _____

CONTROL PANEL
 SEE SHEET 2

CONN1

12	13	16	11	7	8	9	10	4	5	6	14	1	2	3	15
A	O	O	O	O	O	O	O	O	O	O	O	O	A	B	C
B	O	O	O	O	O	O	O	O	O	O	O	O	O	O	O

CONN2

1	2	3	4	5	6	7
DO	DO	DO	DO	DO	DO	DO

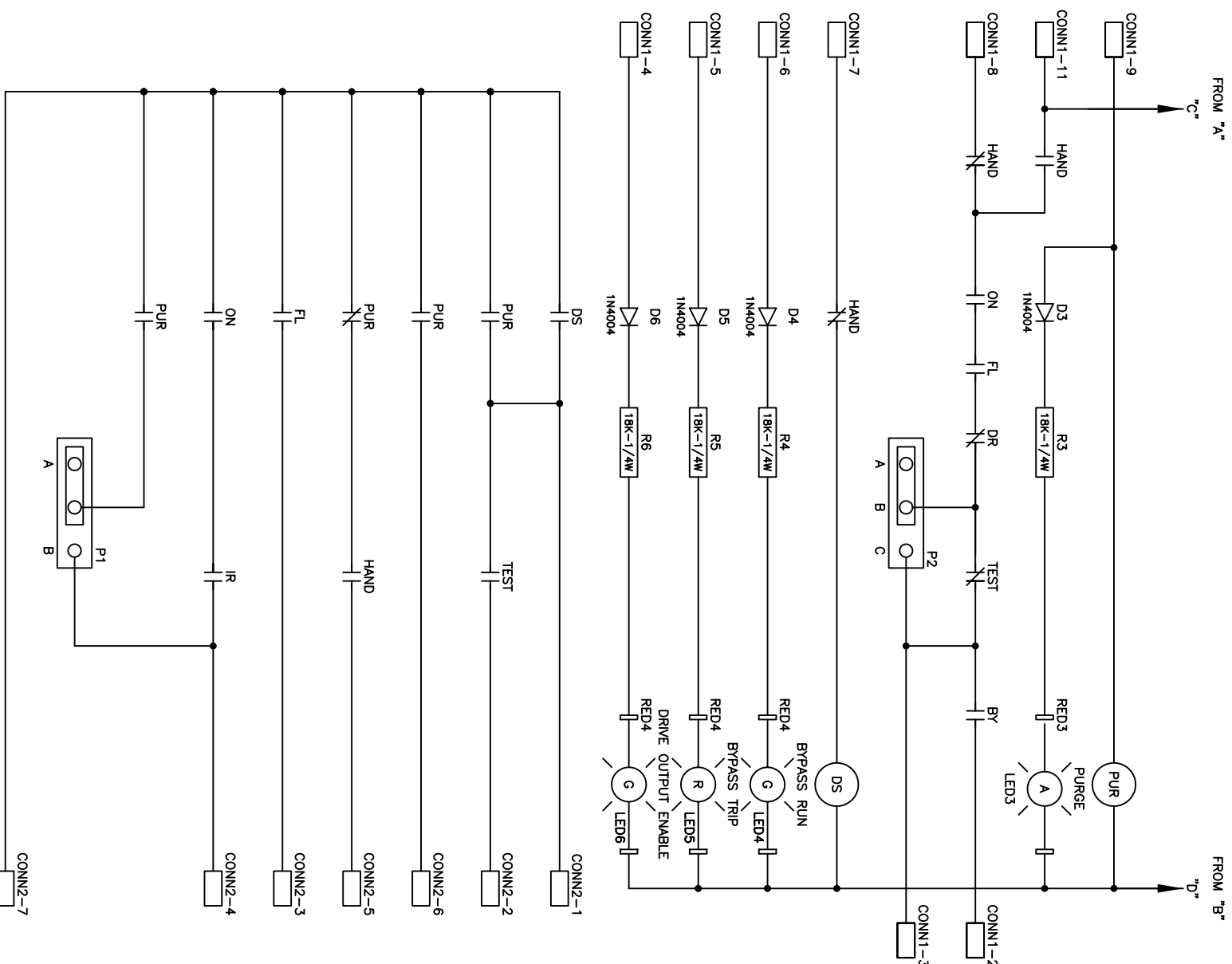
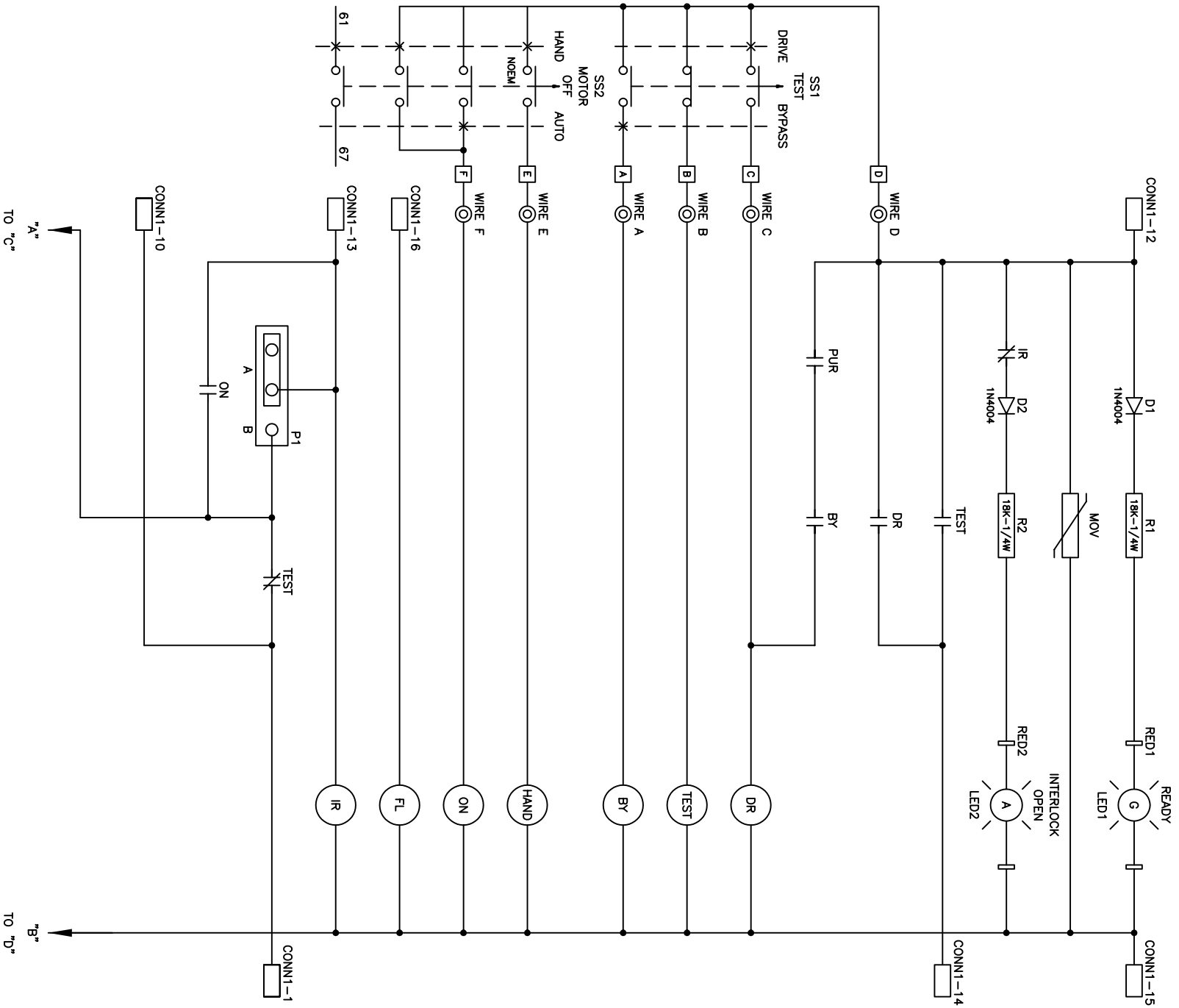
PARAMETER SETTING CHANGES

PARAMETER	DESCRIPTION	DEFAULT	CHANGE TO
P036	Start Source	3 '2-W Lvl Sens'	6 '2-W Lvl Sens'
P038	Speed Ref	2 'Analog In 1'	3 'Analog In 2'
P042	Auto Mode	1 'Hnd-Off-Auto'	0 'No Function'
T052	Digital In2 Set	3 'Local'	14 'Anlg 1 InCtn'
T073	Analog In 2 Sel	0 'Normally Open'	1 '4-20mA'
A165	Start At Powerup	0 'Disabled'	1 'Enabled'

DR. BY: JBF/ACI DATE: 11/17/05
 CHK. BY: JCL/ACI DATE: 02/17/06
 ENG. JFH/ACI DATE: 02/17/06
 DWG. NI. 98D01536-1
 NEXT SH. 2
 END. 1

THIS DRAWING IS THE PROPERTY OF ROCKWELL AUTOMATION, INC. OR ITS SUBSIDIARIES AND MAY NOT BE COPIED, USED OR DISCLOSED FOR ANY PURPOSE EXCEPT AS AUTHORIZED IN WRITING BY ROCKWELL AUTOMATION, INC.

Rockwell Automation
 TITLE: SCHEMATIC DRAWING - PF400, STYLE B, NEMA 3R
 3-50HP @ 208VAC, 3-150HP @ 460VAC



44	DATE	BY	APPROVAL
45			DESIGN REVIEW
46			FDR MANUFACTURING AS SHIPPED AS COMMISSIONED

REV.	DATE	BY	ECN/CR	ND
A	2/17/06	JCL		
B	8/3/06	JCL		
C	9/13/06	REH		
D	6/8/07	REH		

DR.	BY	JBF/ACI	CHK.	BY	JCL/ACI	ENG.	JFH/ACI	DWG.	98D01536-2	NEXT	2	SH.	2	
	DATE	11/17/05		DATE	02/17/06		DATE	11/17/05			SH.	2	IND.	2

Rockwell Automation

THIS DRAWING IS THE PROPERTY OF ROCKWELL AUTOMATION, INC. OR ITS SUBSIDIARIES AND MAY NOT BE COPIED, USED OR DISCLOSED FOR ANY PURPOSE EXCEPT AS AUTHORIZED IN WRITING BY ROCKWELL AUTOMATION, INC.

TITLE
SCHEMATIC DRAWING - PF400, STYLE B, NEMA 3R
3-50HP @ 208VAC, 3-150HP @ 460V