

PARAMETER SETTING CHANGES			
PARAMETER	DESCRIPTION	DEFAULT	CHANGE TO
P036	Start Source	(3) 2-W Lvl Sens'	(6) 2-W Lvl Sens'
P038	Speed Ref	(2) 'Analog In 1'	(3) 'Analog In 2'
P042	Auto Mode	(1) 'Hnd-Off-Auto'	(0) 'No Function'
T052	Digital In2 Set	(3) 'Local'	(14) 'Anlg 1 InCtrl'
T073	Analog In 2 Sel	(0) 'NormallyOpen'	(1) '4-20Ma'
A165	Start At Powerup	(0) 'Disabled'	(1) 'Enabled'

- 1 OPENING OF FREEZE/FIRE INTERLOCK (IN DRIVE MODE) WILL REQUIRE MANUAL RESET.
- 2 "P1" DEFAULT POSITION IS PARKED IN POSITION "A". FOR PURGE. WITH HAND-OFF-AUTO SWITCH IN OFF POSITION MOVE "P1" TO POSITION "B".
- 3 "P2" DEFAULT POSITION IS PARKED IN POSITION "A-B". FOR DRIVE TEST IN BYPASS MOVE "P2" TO POSITION "B-C".

DATE	BY	APPROVAL
		DESIGN REVIEW
		FOR MANUFACTURING
		AS SHIPPED
		AS COMMISSIONED

REV.	DATE	BY	ECN/CR. NO.
A	02/17/06	JCL	
B	8/3/06	JCL	
C	6/8/07	REH	
D	5/14/08	JCL	
E	2/11/09	ALB	
F	11/09/09	ALB	

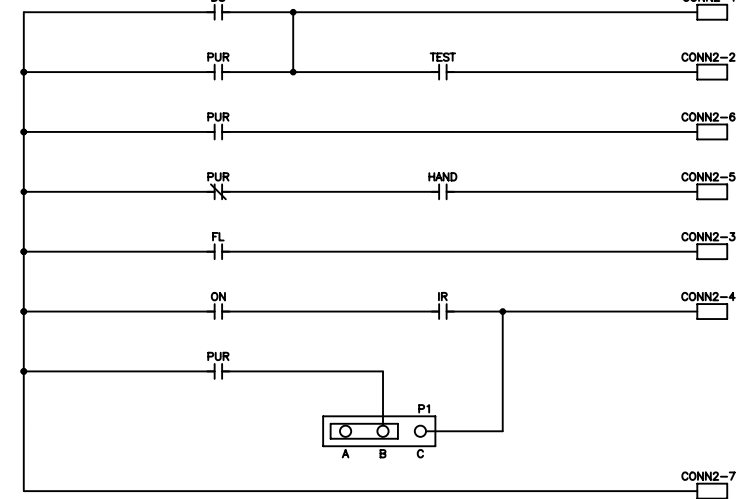
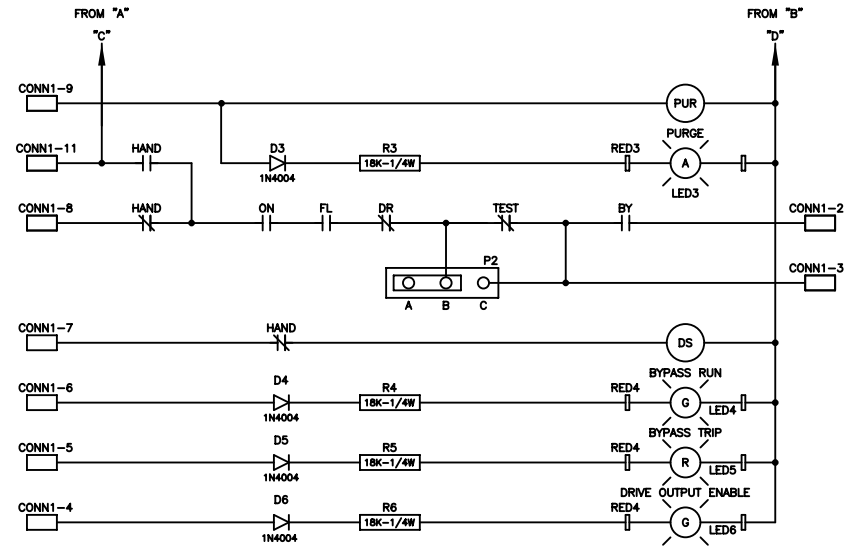
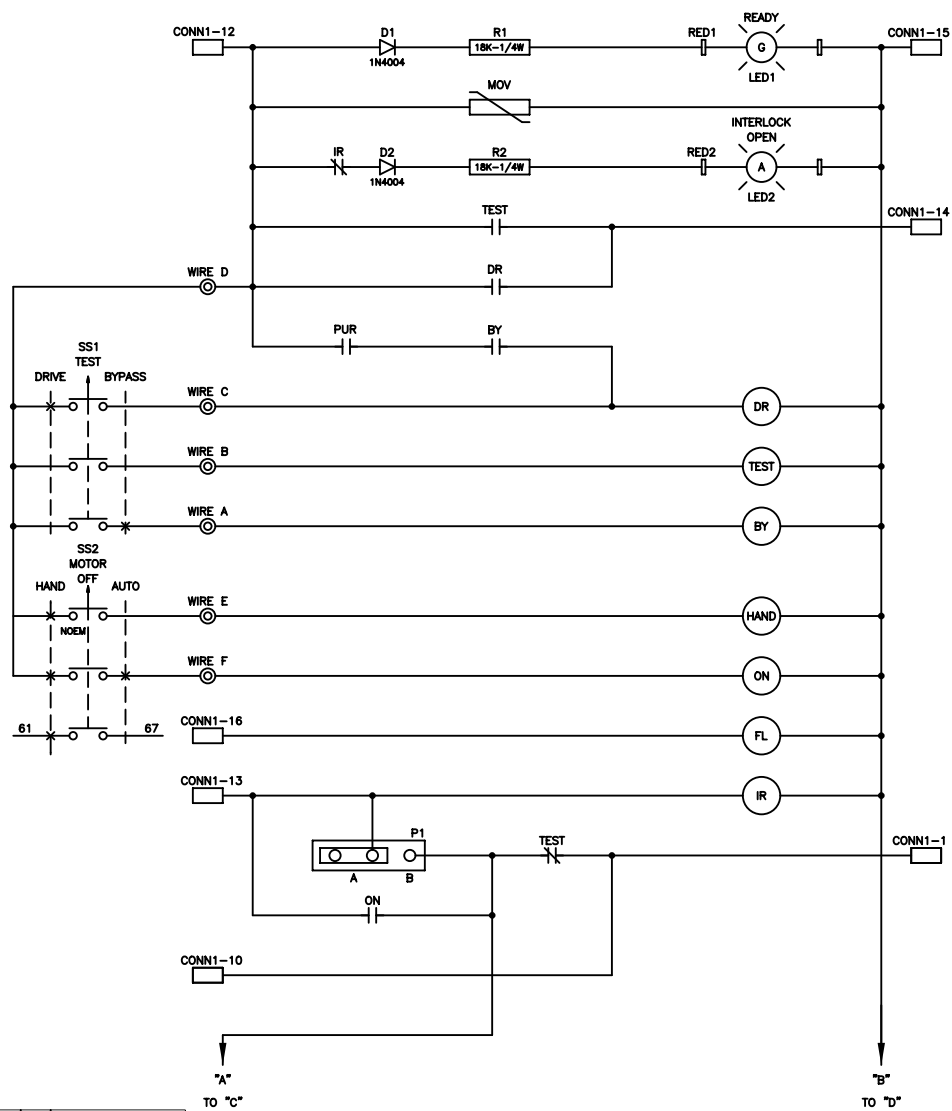
Rockwell Automation

THIS DRAWING IS THE PROPERTY OF ROCKWELL AUTOMATION, INC. OR ITS SUBSIDIARIES AND MAY NOT BE COPIED, USED OR DISCLOSED FOR ANY PURPOSE EXCEPT AS AUTHORIZED IN WRITING BY ROCKWELL AUTOMATION, INC.

TITLE
SCHEMATIC DRAWING - PF400, STYLE B, NEMA 12
3-50HP @ 208VAC, 3-150HP @ 460VAC

DR. BY JRF/ACI	CHK. BY JCL/ACI	ENG. JFH/ACI	DWG. NO.	89D01541 - 1	NEXT SH.	2	SH. NO.	1
DATE 11/17/05	DATE 02/17/06	DATE 11/17/05						

01
02
03
04
05
06
07
08
09
10
11
12
13
14
15
16
17
18
19
20
21
22
23
24
25
26
27
28
29
30
31
32
33
34
35
36
37
38
39
40
41
42



DATE	BY	APPROVAL
		DESIGN REVIEW
		FDR MANUFACTURING
		AS SHIPPED
		AS COMMISSIONED

REV.	DATE	BY	ECN/CR. NO.
A	02/17/06	JCL	
B	08/3/06	JCL	
C	6/8/06	REH	
D	5/14/08	JCL	
E	2/11/09	ALB	
F	11/09/09	ALB	

Rockwell Automation

DR. BY JRF/ACI CHK. BY JCL/ACI ENG. JFH/ACI DVG. ND. 98D01541-2 DATE 11/17/05 DATE 01/17/06 DATE 11/17/05 NEXT SH. 2 SH. ND. 2

THIS DRAWING IS THE PROPERTY OF ROCKWELL AUTOMATION, INC. OR ITS SUBSIDIARIES AND MAY NOT BE COPIED, USED OR DISCLOSED FOR ANY PURPOSE EXCEPT AS AUTHORIZED IN WRITING BY ROCKWELL AUTOMATION, INC.

TITLE
SCHEMATIC DRAWING - PF400, STYLE B, NEMA 12
3-50HP @ 208VAC, 3-150HP @ 460VAC

01
02
03
04
05
06
07
08
09
10
11
12
13
14
15
16
17
18
19
20
21
22
23
24
25
26
27
28
29
30
31
32
33
34
35
36
37
38
39
40
41
42