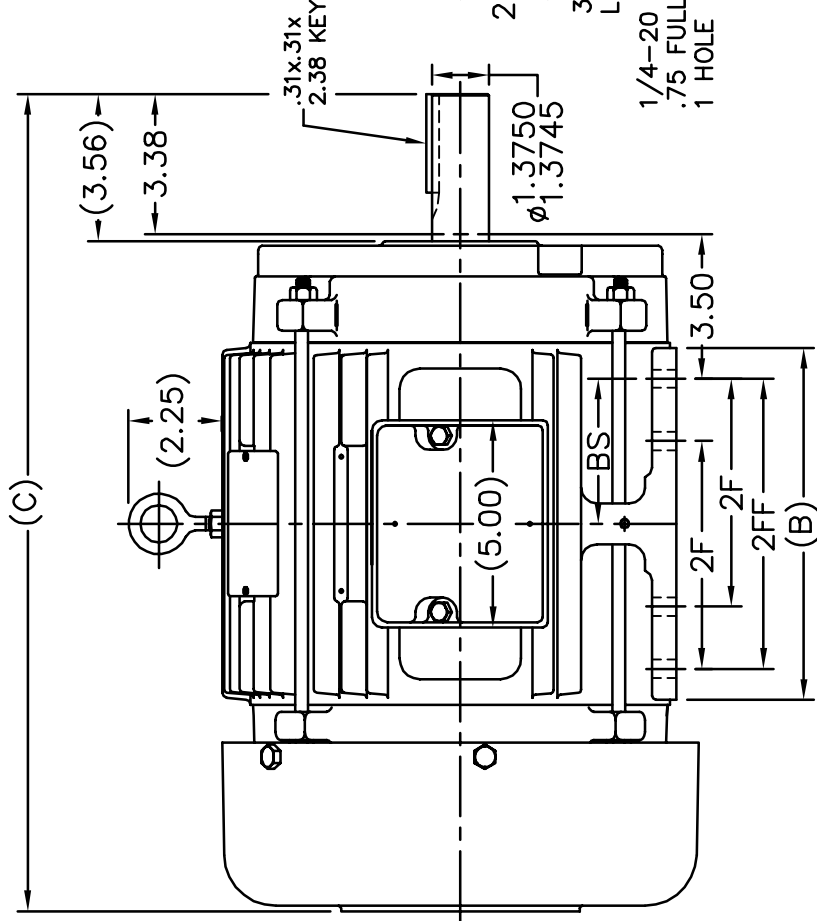


- NOTES:
 1. BOX CAN BE ROTATED IN 90° STEPS.
 2. BOX CAN BE MOUNTED ON OPPOSITE SIDE BY REMOVING BRACKETS AND TURNING FRAME 180°.
 3. NAMEPLATE TO BE READ FROM CONDUIT BOX SIDE OF MOTOR.



| FR. | C | B | BS | 2F | 2FF | FOOT HOLE QTY. | MOUNTING |
|--------|-------|------|------|------|------|----------------|----------|
| 215T | 19.72 | 8.50 | 3.50 | - | 7.00 | 4 | F1 OR F2 |
| 213/5T | 19.72 | 8.50 | 3.50 | 5.50 | 7.00 | 8 | F1 OR F2 |

| | | | |
|----------------------------------------------------------------------------------------------------------------------------------------------------------------------------------------------------------------------------------|------------------------------------------|-----------------------------------------------------------------------------------------------------|------------------|
| | | DRAWN PGK 07-29-1997 CHK ML 08-07-1997 APPD PH 08-11-1997 SCALE 7-32 REF FMF PREV | |
| TITLE OUTLINE 213-15T FR. - BB - TEFC | | MATL. FINISH | |
| CAD FILE ss87301 | | SIZE A | |
| DRAWING NO. SS87301 | | PAGE OF 11 | |
| THIS DRAWING IN DESIGN AND DETAIL IS OUR PROPERTY AND MUST NOT BE USED EXCEPT IN CONNECTION WITH OUR WORK ALL RIGHTS OF DESIGN AND INVENTION ARE RESERVED THIS IS AN ELECTRONICALLY GENERATED DOCUMENT - DO NOT SCALE THIS PRINT | | | |
| 11 | UPDATED DRAWING | TJW 04/30/2007 | UNLESS SPECIFIED |
| 10 | REVISED TOL. WAS 5.22/5.16 NOW 5.25/5.19 | RJW 05-01-2006 | ML DEC. INCHES |
| 9 | ADDED FOOT HOLE QTY. & MTG. TO TABLE | TAT 01-14-2004 | ML .X ±.1 |
| 8 | REMOVED NOTE 'SEE FRAME WHEN REQ'D' | DRS 04-23-2001 | .XX ±.03 |
| 8 | FROM GROUND HOLE | CN 29200-1698 | .XXX ±.005 |
| 7 | UPDATED C' BOX GEOMETRY | HLB 11-10-2000 | .XXXX ±.0005 |
| NO. | REVISION | BY & DATE | CHK ANG |
| THIS DRAWING IN DESIGN AND DETAIL IS OUR PROPERTY AND MUST NOT BE USED EXCEPT IN CONNECTION WITH OUR WORK ALL RIGHTS OF DESIGN AND INVENTION ARE RESERVED THIS IS AN ELECTRONICALLY GENERATED DOCUMENT - DO NOT SCALE THIS PRINT | | RFP | DIST LB |