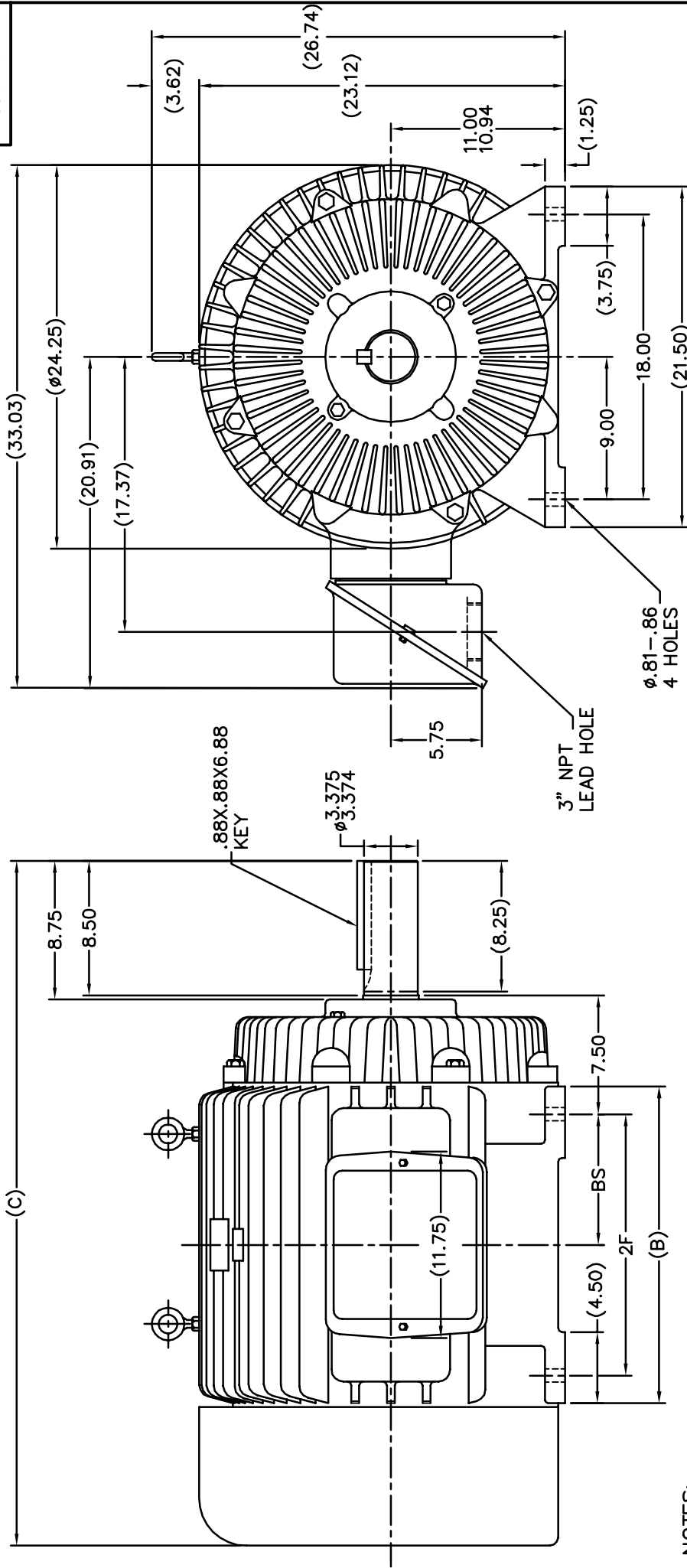


SS508879



NOTES:

1. BOX CAN BE ROTATED IN 90° STEPS
2. BOX CAN BE MOUNTED ON OPPOSITE SIDE BY REMOVING BRACKETS AND TURNING FRAME 180°
3. NAMEPLATES TO BE READ FROM CONDUIT BOX SIDE OF MOTOR

FRAME	B	C	2F	BS
444T	18.00	41.25	14.50	7.25

9	UPDATED DRAWING	R/JW 04-17-2007	UNREVISIONED	REV	INCHES	DRAWN TLB 12-14-1988
8	ADDED V DIMENSION OF 8.25 PER FORD	R/JW 11-09-2005	DEC	X	±.1	CHK FG 12-14-1988
7	REDRAWN IN AUTOCAD	TAT 08-29-2004	ML	X		APPD ML 12-14-1988
6	ADDED SECOND EYEBOLT	MSG 12-30-2001	ML	JOK	±.03	SCALE 1-6
5	CORRECTED OVERALL DIMS.	CAV 02-01-2000	JOK	JOK	±.008	REV 440T FR. - TEFC - TAPPED LEAD HOLE
4	REDRAWN ON CADD	TLB 12-14-1988	JOK	JOK	±.006	REV P/F
REVISION		BY & DATE	CHK	ANG	±73°	FINISH
THIS DRAWING IN DESIGN AND DETAIL IS OUR PROPERTY AND MUST NOT BE USED EXCEPT IN CONNECTION WITH OUR WORK. ALL RIGHTS OF DESIGN AND INVENTION ARE RESERVED. THIS IS AN ELECTRONICALLY GENERATED DOCUMENT - DO NOT SCALE THIS PRINT		RPT	DIST	WA		CAD FILE ss508879
NO.						SIZE (DRAWING NO.)
						B
						SS508879
						PAGE OF
						9

Rockwell Automation

TITLE OUTLINE
440T FR. - TEFC - TAPPED LEAD HOLE