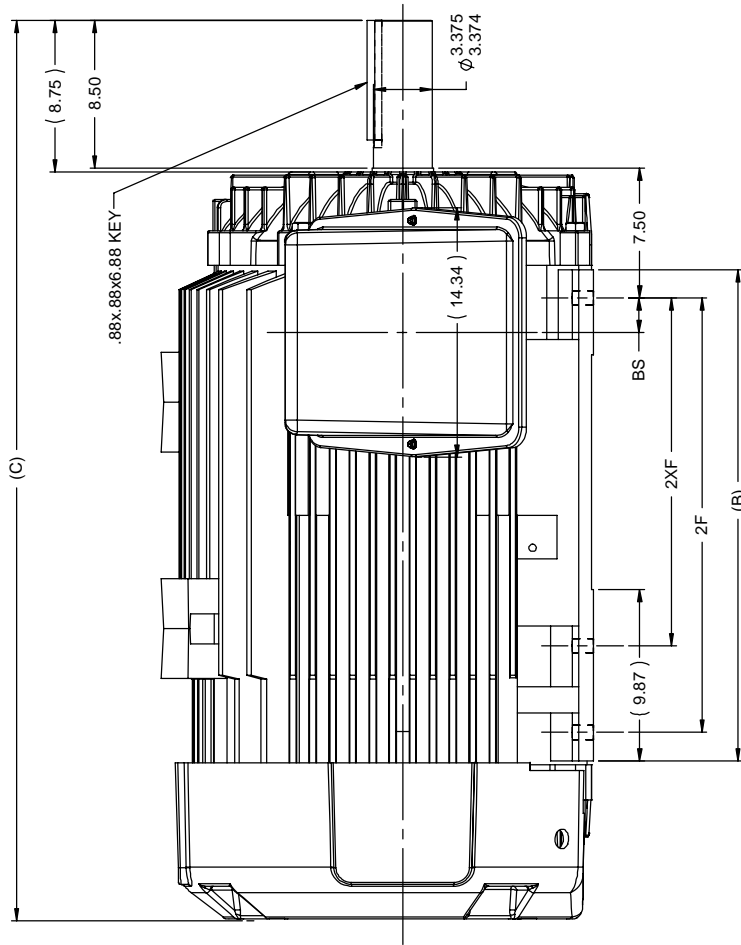
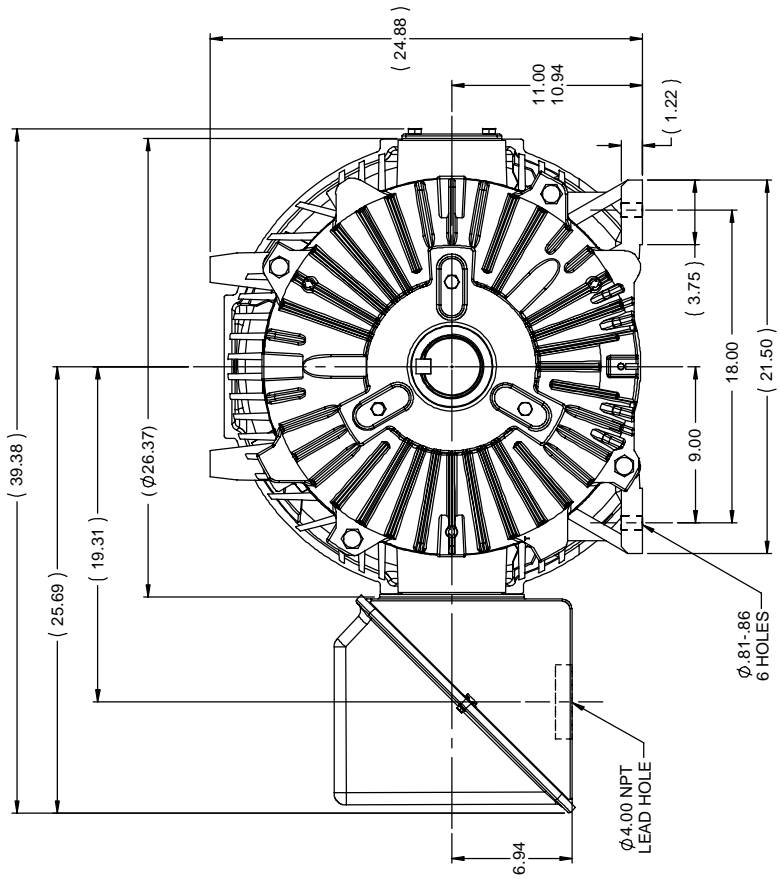


SS515631



NOTES:
 1- C'BOX CAN BE ROTATED IN 90° STEPS.
 2- NAMEPLATES TO BE READ FROM C'BOX SIDE OF MOTOR.
 3- C'BOX CAN BE MOUNTED IN F2 POSITION.

FRAME	B	C	2F	2XF	BS
447T	28.25	51.84		20.00	1.97
449T	28.25	51.84	25.00		1.97

NO	REVISION	BY & DATE	CHK	ANG	FINISH
3	UPDATED C'BOX GEOMETRY	ON 28/04	XXXX	±.0005	MATL
4	C'BOX COVER WAS BACKWARDS	ON 28/04	XXX	±.005	REF
5	REDRAWN ON AUTOCAD	TAT 06/29/04	ML	XX	±.03
6	ADDED EXTERNAL BAFFLE	ON 39/113	DRS	06/22/05	ML
7	REMOVED BAFFLE	ON 39/113	DRS	07/22/05	ML
8	CHG. FAN GUARD PER CN39335	RWR 11/08/06	ML	UNLESS SPECIFIED	TOLERANCES

DRAWN	DT	06-03-1996
CHK	ML	06-04-1986
APP	JL	06-05-1996
SCALE	1:7	
REF		
FIN		
FINISH		
TITLE	OUTLINE - TEFC	
447-449T FR. - STD.		
CAD FILE	SS515631	
DRAWING NO	B	
SIZE		
DIST	WA	
REV		
REV		8

Rockwell Automation