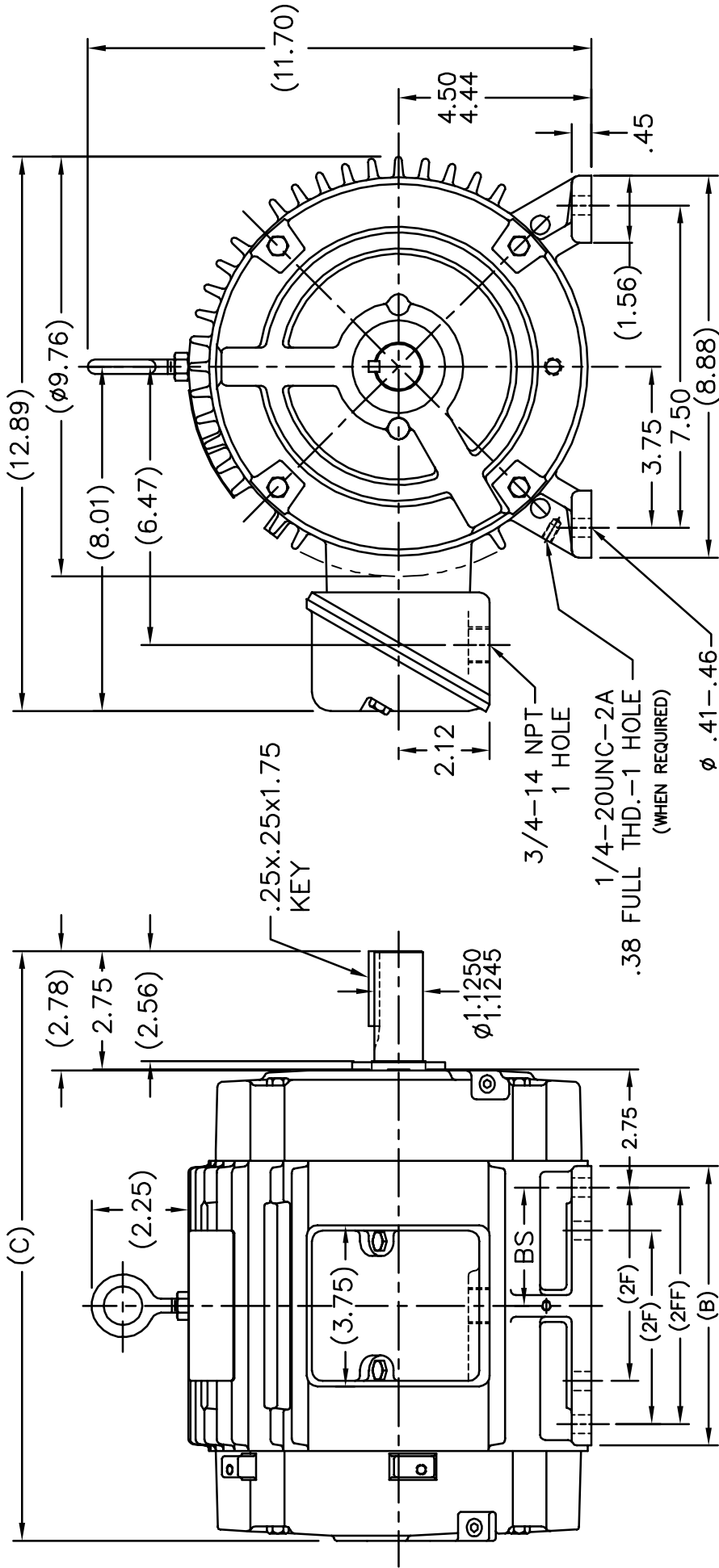


SS68833



FR.	C	B	2FF	BS	2F
184T	13.71	6.50	5.50	2.75	4.50

NOTES

1. BOX CAN BE MOUNTED ON OPPOSITE SIDE BY REMOVING BRACKETS & TURNING FRAME 180°.
2. BOX CAN BE ROTATED IN 90° STEPS.
3. NAMEPLATE READ FROM CONDUIT BOX SIDE.

		DRAWN DRS 08-19-1999	
		CHK ML 08-19-1999	APPD GK 08-19-1999
TITLE OUTLINE		SCALE 9=32	
180 FR.		REF	
MATT.		FMF	
FINISH		PREV	
CAD FILE ss68833		DRAWING NO. PAGE OF	
DIST LB		SS68833 05	
THIS DRAWING IN DESIGN AND DETAIL IS OUR PROPERTY AND MUST NOT BE USED EXCEPT IN CONNECTION WITH OUR WORK ALL RIGHTS OF DESIGN AND INVENTION ARE RESERVED THIS IS AN ELECTRONICALLY GENERATED DOCUMENT - DO NOT SCALE THIS PRINT			