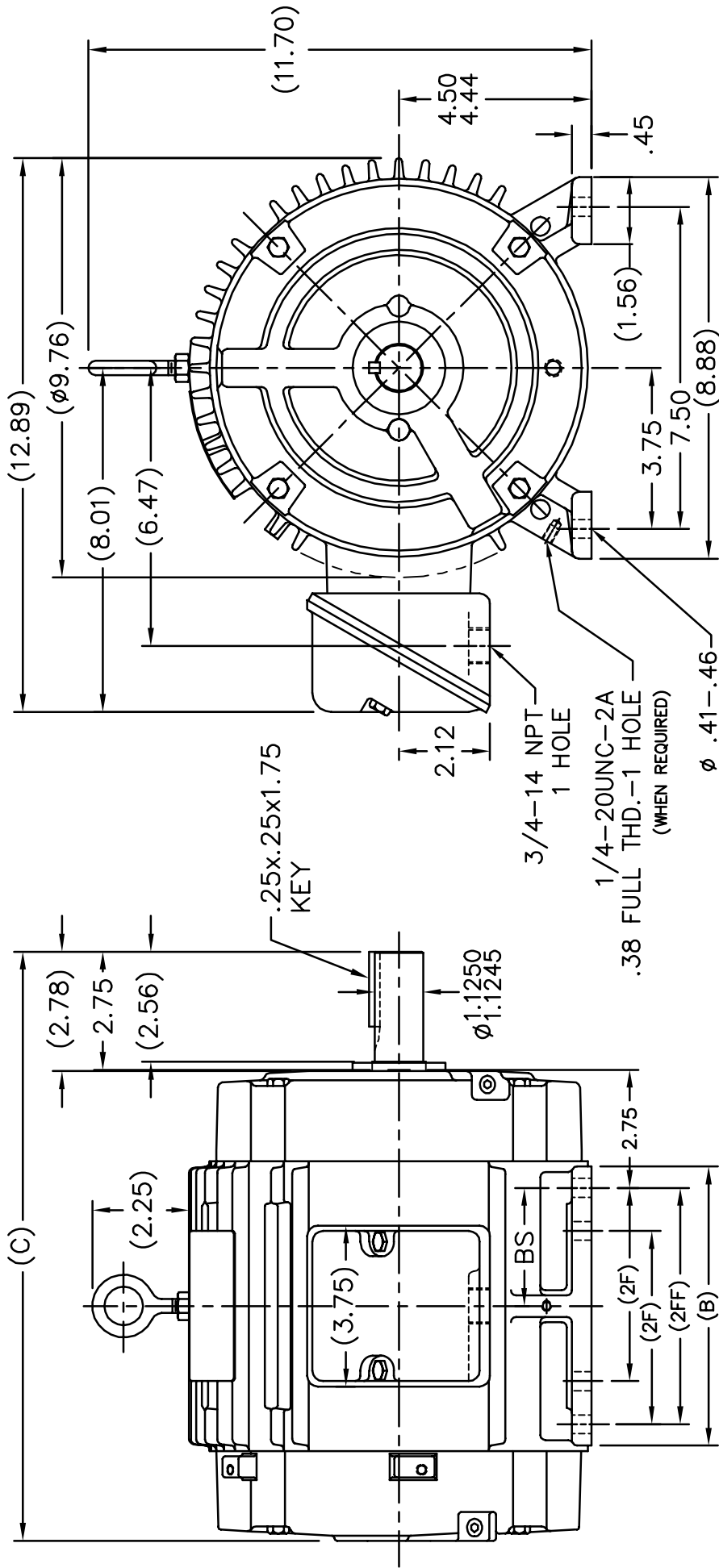


SS68833



NOTES

1. BOX CAN BE MOUNTED ON OPPOSITE SIDE BY REMOVING BRACKETS & TURNING FRAME 180°.
2. BOX CAN BE ROTATED IN 90° STEPS.
3. NAMEPLATE READ FROM CONDUIT BOX SIDE.

FR.	C	B	2FF	BS	2F
182T	12.71	5.50	4.50	2.25	--

TOLERANCES UNLESS SPECIFIED		DRAWN DRS 08-19-1999	
DEC.	INCHES	CHK	ML
.X	±.1	APPD	GK
.XX	±.03	SCALE	9-32
.XXX	±.005	REF	
.XXXX	±.0005	FMF	
	±.750°	PREV	
TITLE OUTLINE 180 FR.		DRAWING NO. PAGE OF SS68833 05	
MATT.		SIZE A	
FINISH		CAD FILE ss68833	
BY & DATE		REV. 05	
REVISION		DIST LB	
THIS DRAWING IN DESIGN AND DETAIL IS OUR PROPERTY AND MUST NOT BE USED EXCEPT IN CONNECTION WITH OUR WORK ALL RIGHTS OF DESIGN AND INVENTION ARE RESERVED THIS IS AN ELECTRONICALLY GENERATED DOCUMENT - DO NOT SCALE THIS PRINT			

Rockwell Automation