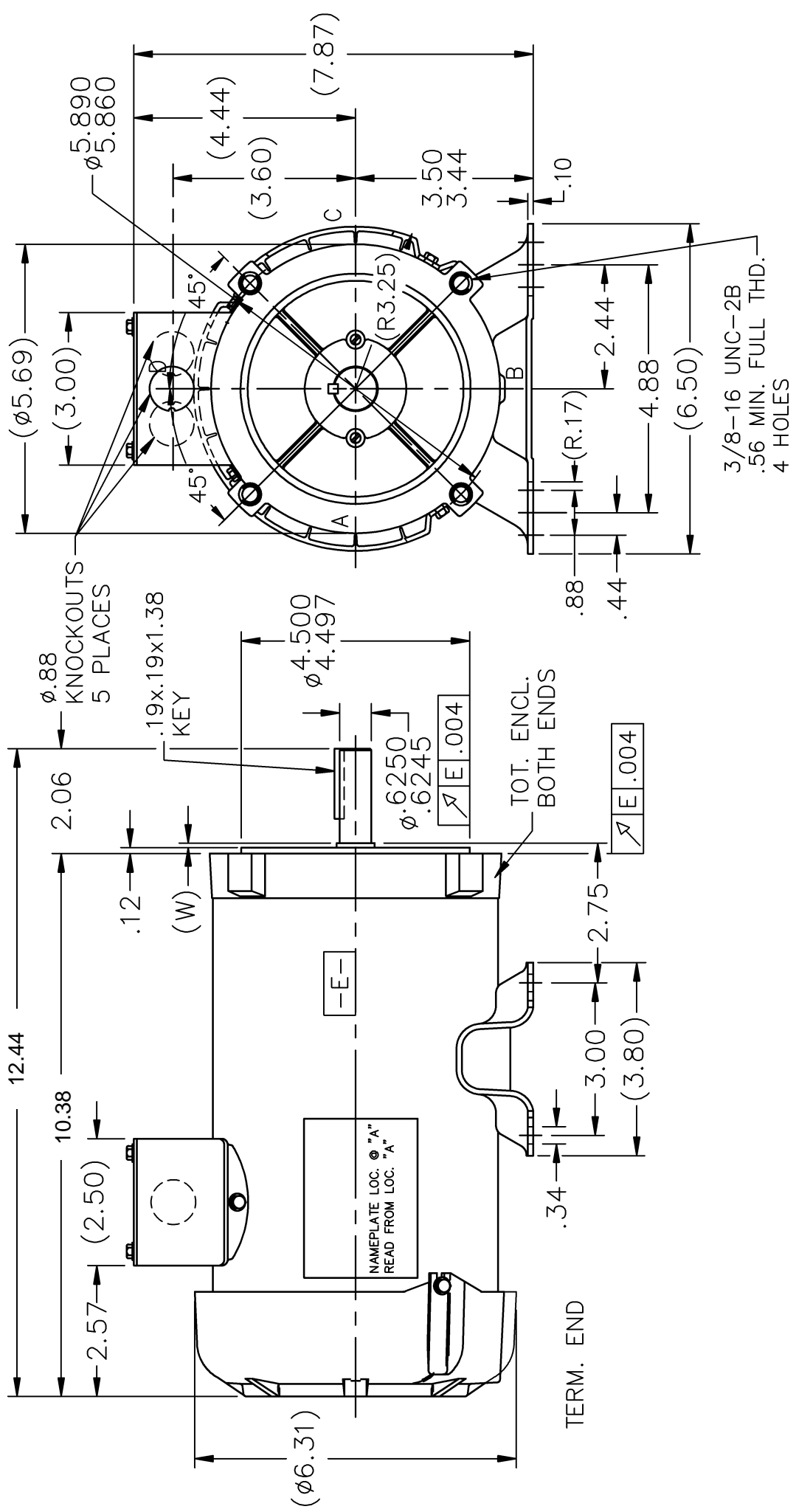


'W' = CLEARANCE ALLOWED FOR ALL
VARIANCES IN MANUFACTURING & ASSEMBLY



**Rockwell
Automation**

DRAWN DD 08-27-1993		CHK ML 08-30-1993		APPD JAY 08-31-1993		SCALE 11=32		REV. OF 3	
TITLE OUTLINE		MATERIAL MAT'L.		FINISH		DRAWING NO. SS75928		PAGE OF 3	
3 REDRAWN IN AUTOCAD		TAT 07-06-2004		ML .XX		TOLERANCES UNLESS SPECIFIED DEC. INCHES .X		SIZE A	
2 REVISED NAMEPLATE LOCATION		NJS 02-19-2002		DRS .XXX		.X $\pm .1$		CAD FILE ss75928	
1 NEW DRAWING		NJS 02-19-2002		ML .XXXX		$\pm .03$		DIST WP	
NO. REVISION		BY & DATE		CHK ANG		$\pm .005$		REV. OF 3	
THIS DRAWING IN DESIGN AND DETAIL IS OUR PROPERTY AND MUST NOT BE USED EXCEPT IN CONNECTION WITH OUR WORK. ALL RIGHTS OF DESIGN AND INVENTION ARE RESERVED. THIS IS AN ELECTRONICALLY GENERATED DOCUMENT - DO NOT SCALE THIS PRINT		RFP		ANG $\pm 7'30"$		$\pm .0005$		REV. OF 3	