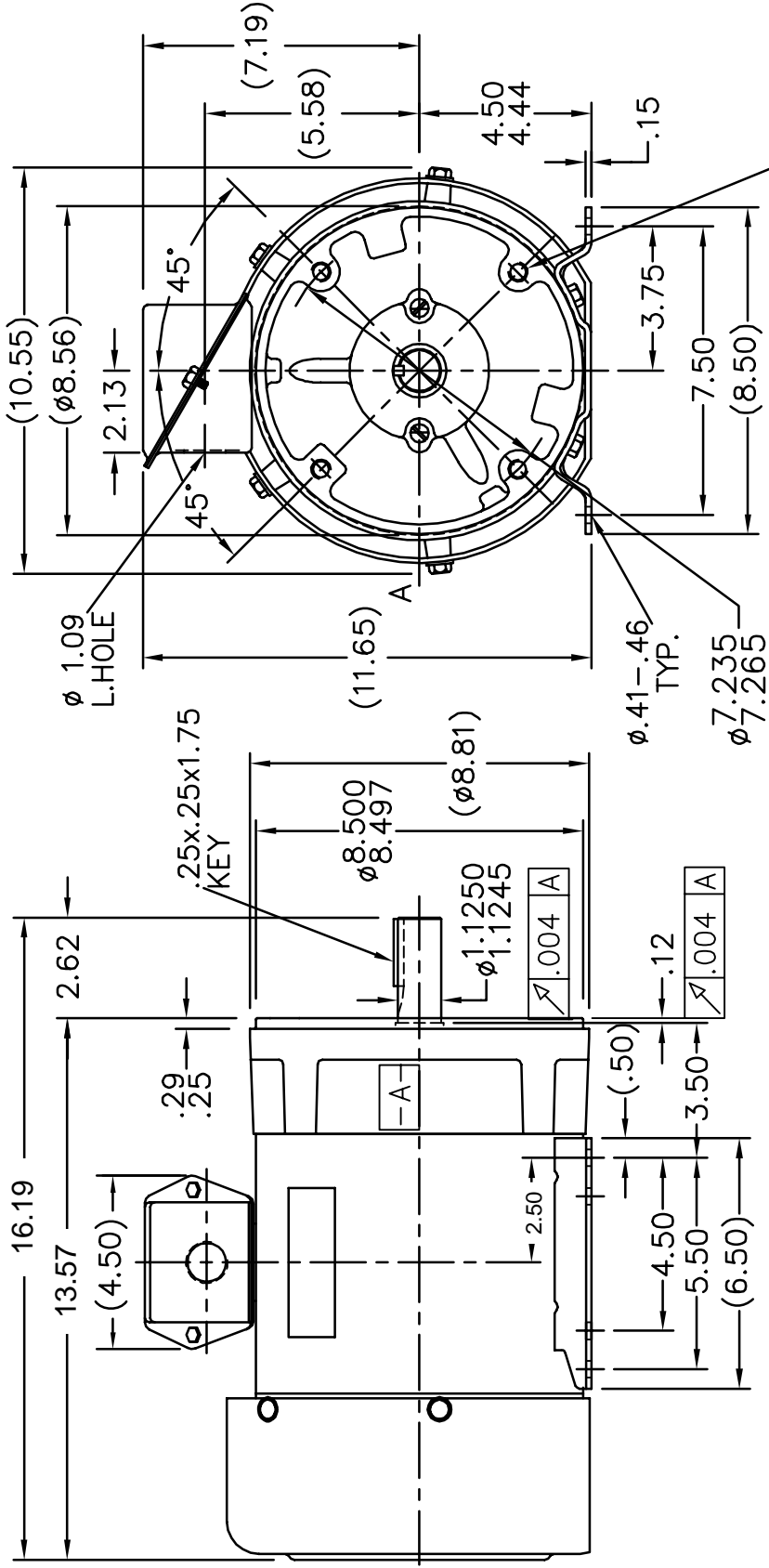


SS69219



1/2-13 UNC-2B
.75 FULL THD.
4 HOLES

- NOTES:
1. BOX CAN BE ROTATED IN 90° STEPS.
 2. NAMEPLATE READ FROM LOCATION 'A'.
 3. REMOVABLE BASE

		DRAWN NJS 01-15-2002 CHK ML 01-15-2002 APPD PH 01-15-2002 SCALE 7-32 REF FMF PREV	DRAWING NO. SS69219 PAGE OF 1 REV. 1
		TITLE OUTLINE - STEEL C'BOX 180 FR. - C'FACE - F3 MOUNT MAT'L FINISH	SIZE A CAD FILE ss69219
1 NEW DRAWING MU 39840 NO.	NJS 01-15-2002 BY & DATE REVISION	UNLESS SPECIFIED DEC. INCHES .X ±.1 .XX ±.03 .XXX ±.005 .XXXX ±.0005 ANG ±7°30"	RFP DIST LB
THIS DRAWING IN DESIGN AND DETAIL IS OUR PROPERTY AND MUST NOT BE USED EXCEPT IN CONNECTION WITH OUR WORK ALL RIGHTS OF DESIGN AND INVENTION ARE RESERVED THIS IS AN ELECTRONICALLY GENERATED DOCUMENT - DO NOT SCALE THIS PRINT			