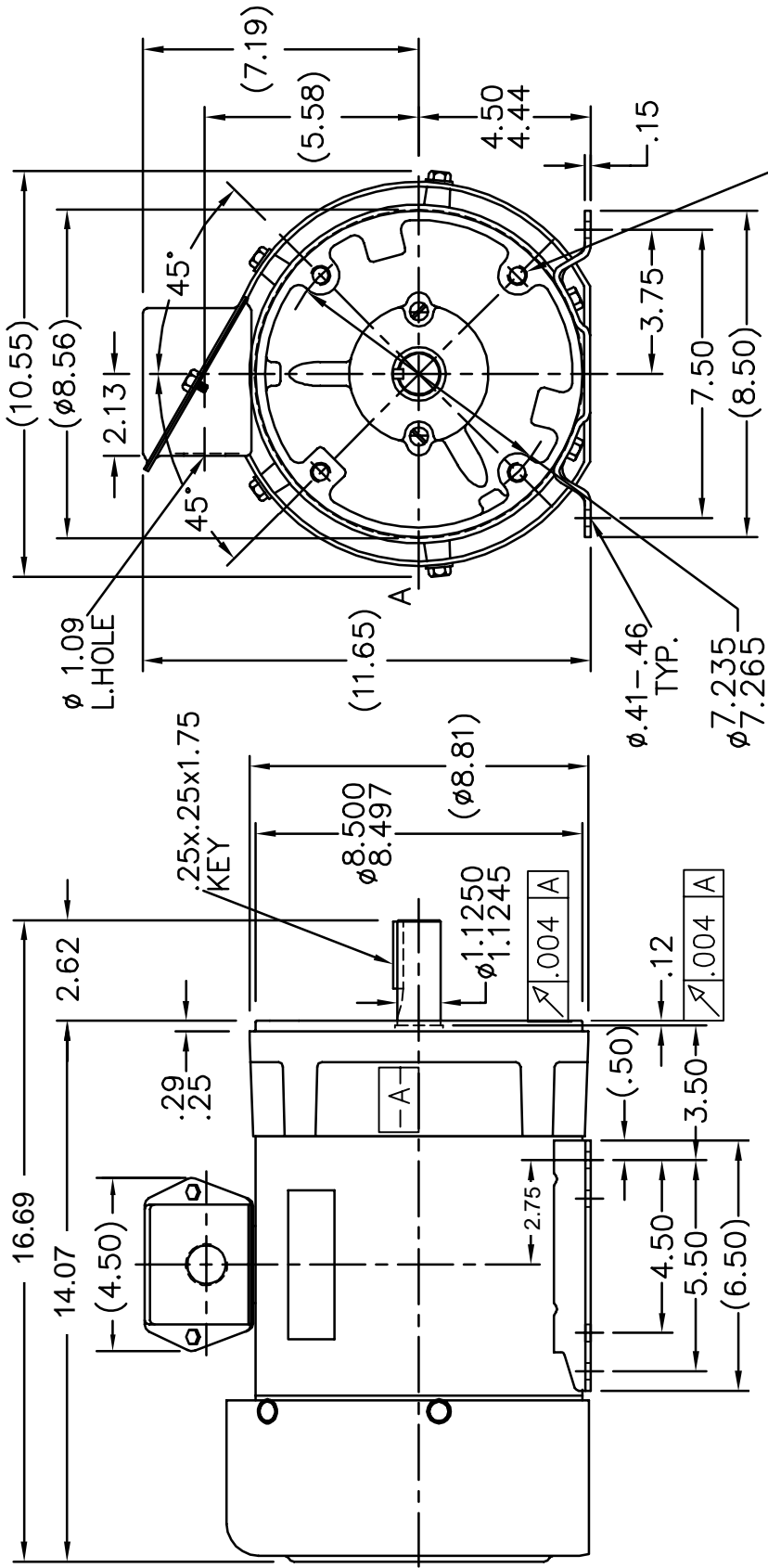


SS69219



1/2-13 UNC-2B
.75 FULL THD.
4 HOLES

- NOTES:
1. BOX CAN BE ROTATED IN 90° STEPS.
 2. NAMEPLATE READ FROM LOCATION 'A'.
 3. REMOVABLE BASE

		DRAWN NJS 01-15-2002 CHK ML 01-15-2002 APPD PH 01-15-2002 SCALE 7-32 REF FMF PREV	TITLE OUTLINE - STEEL C'BOX 180 FR. - C'FACE - F3 MOUNT MAT'L FINISH	SIZE A DRAWING NO. SS69219 PAGE OF 1
		CAD FILE ss69219	REV. 1	
TOLERANCES UNLESS SPECIFIED		DEC. INCHES .X ±.1 .XX ±.03 .XXX ±.005 .XXXX ±.0005	ANG ±7°30"	CHK RFP DIST LB
1 NEW DRAWING NO.	MU 39840 REVISION	NJS 01-15-2002 BY & DATE	THIS DRAWING IN DESIGN AND DETAIL IS OUR PROPERTY AND MUST NOT BE USED EXCEPT IN CONNECTION WITH OUR WORK ALL RIGHTS OF DESIGN AND INVENTION ARE RESERVED THIS IS AN ELECTRONICALLY GENERATED DOCUMENT - DO NOT SCALE THIS PRINT	REV. 1